

Main Index

ETC Index	Index	Page A01-A02
A ETC	Profiles Specification Pages	Page A03-A08
	Technical Information	Page A09-A16
	Scale Profile Drawings	Page A17-A40
B ETC	Accessories Photos & Drawings	Page B03-B36
C ETC	Sections Scale Elevations	Page C01-C62
D ETC	Statics	Page D01-D02
E ETC	Construction Drawings 1 - Corner Jointing	Page E03-E05
	2 - Drainage.....	Page E06-E07
	3 - Transom/Mullion Fixings.....	Page E08-E11
	4 - Friction Stay Accessories.....	Page E12
	5 - Friction Stays.....	Page E13-E14
	6 - Locking.....	Page E15-E19
	7 - French Casement.....	Page E20
	8 - Beads & Glazing.....	Page E21-E23
	9 - Fixing Strap Detail.....	Page E24
	10 - Baypole Configuration.....	Page E25-E27
	11 - Horizontal Coupler.....	Page E28
F ETC	Sawing Tables Cutting Information	Page F03-F10

Updates

DATE	PAGE	DESCRIPTION
01-02-17	E.21 - E.23	Amendments to glazing charts.
01-02-17	F.09 - F.10	Flush window sections amended to show dummy vents for fixed frame solution .
01-02-17	F.09 - F.10	Cutting sheets added for Flush window.
28-06-17	A.21 C.54-C.62	ETC8250 Chevron changed to ACET311
17-04-18	E.23	Updated Glazing Chart for Flush Casement
01-05-18	E.21-23, E.26 E.28	ETC877, ETC878, ETC880, ETC881 & UN3000 Added

Specification

GENERAL DESCRIPTION

The "Alitherm 800" window system described in this manual is suitable for domestic or commercial applications as replacement windows for existing buildings, and for installation into new buildings.

The system incorporates internally & externally beaded vent frames suitable for cockspur and espagnolette locking.

The low line gaskets and extended polyamide thermal breaks help to provide excellent U Values and Window Energy Rating capable of achieving an 'A' Rating when used in conjunction with the correct double glazed unit. Please refer to the WER calculator for guidance.

Alitherm 800 is a crimp only system.

Kitemark™ Certificate

No. KM 81543

Size Limitations and Performance Characteristics

Alitherm 800 Aluminium Alloy Window System

Window Type	Width (mm) - Maximum	Height (mm) - Maximum	Perimeter (mm) - Maximum	Transom/Mullion Length (mm) inc frame - Maximum	Air Permeability classification	Water tightness classification	Resistance to Wind classification	Exposure category as given in Table 1 of BS 6375-1:2009
Sash dimensions for windows with approved sash profiles:								
Projecting top hung	1400	1300	-	-	3	8A	A2	800
Projecting side hung	800	1400	-	-	3	E1050	AE	2000
Overall dimensions for windows with approved outer frame profiles:								
Fixed	2100	2100	4800	-	3	E1050	AE	2000
Overall dimensions for approved outer frames & transom/mullion profiles:								
*Multilights, ETC831 T/M Reinforcement	2100	2100	7100	1450	3	E1050	AE	2000

*Transom/mullion subject to lxx/lyy requirements

⚠ Important! ⚠

The size parameters shown against the Kitemark are the maximum allowed without the need for further testing. Please note these are not necessarily the system parameters which may be smaller or larger. Please refer to fabrication parameters in this manual.

Specification

PROFILE SPECIFICATION

The window frames are constructed of aluminium alloy extrusion to BS EN 755-9 and BS EN 12020, extruded from 6060 T6 alloy. The internal and external extrusions are separated with a polyamide thermal break.

The external aluminium alloy extrusion is pre-treated and finished either:-

- a) Anodised to BS 3987: 1987, grade AA25 to a natural self colour.
- b) Polyester powder organic coating to BS 6496. Dual colour is available.

GENERAL MANUFACTURING

Outer and vent frames are made by cutting the frame profiles with accurate 45° mitred ends using Tungsten Carbide Tipped Saw Blades, operating at approximately 3000 rpm.

The corners are joined using the Alitherm 800 crimping tools to form a cold forged corner joint (made by deforming small slugs of metal into the groove of the corner cleat).

The ends of transoms and mullions are profiled to fit the frame and fixed using self-tapping screws with a silicone seal.

On polyester powder coated finishes, great care should be taken to avoid getting gap sealer on visible surfaces and should be removed as soon as possible with a clean cloth.

Care should be exercised when using products not supplied by Smart Systems Ltd as no responsibility can be accepted.

Specification

WINDOW DRAINAGE

As with all dry glazed systems, it is recommended that the window system is adequately drained and ventilated. Refer to drainage details in manual, if in doubt ask The Technical Department.

In order to get maximum performance and weather resistance it is recommended that drips are used over all vents.

OUTER FRAME MANUFACTURING INFORMATION

The outer frame members are cut with 45° mitred ends to the overall size required, measured to the longest point of the metal.

Prior to corner crimping the centre line position of any transoms or mullions should be marked on the outer frame members. Where the transom/mullion runs right through, it should be marked out on both jambs or head and cill members in pairs to ensure accurate alignment of the sections.

Using the marked centre line, drill the transom/mullion fixing holes using a 5mm dia. drill bit.

Corners are formed by coating the cut faces to be joined with a suitable small gap sealer. Into the mitred corner insert and glue the required corner cleats and, where required, the aluminium corner chevrons. The two mitred ends are then brought together and crimped. The small gap sealer ensures a permanent joint and guards against the ingress of moisture and joint movement. After crimping the corner joint, special care should be taken to ensure any excess sealer is removed from painted surfaces.

Transoms or mullions are cut with square ends to the sizes calculated on the cutting formula sheets. The ends are then profiled to allow them to fit into the outer frame. Special tooling is available on request to profile the end of transom/mullion.

Prior to fixing of transoms and mullions smear the cut ends with a suitable gap sealer. After fixing, special care should be taken to ensure any excess is cleared from painted surfaces.

Specification

INTERNALLY BEADED VENT

Corners are formed by coating the cut faces to be joined with a suitable gap sealer. In the mitred corner insert and glue the required corner cleats and chevrons. The mitred ends are then brought together and crimped. The small gap sealer ensures a permanent joint and guards against the ingress of moisture and joint movement. Care should be taken to ensure any excess sealer is removed from the surfaces.

The cutting sizes produce vent frames with a cavity of 13mm.

When fixing, the friction stays into both the outer and vent frame, care should be taken to ensure that holes are located on 'V' grooves in the aluminium extrusions.

INTERNALLY BEADED ADAPTOR FRAME

The internally beaded adaptor frame members are cut with 45° mitred ends to the overall size required, measured to the longest point of metal. Care should be taken when measuring and cutting the frame members as only nominal clearance is required when the assembled frame is fixed in the outer frame.

Corners are formed by coating the cut faces to be joined with a suitable small gap sealer. Into the mitred corner insert and glue a corner cleat and the required corner chevrons. The small gap sealer ensures a permanent joint and guards against the ingress of moisture and joint movements. Care should be taken to ensure any excess sealer is removed from painted surfaces.

MULTI-POINT LOCKING

The vent should be prepped for the locking mechanism prior to fabrication and fitted into vent before hanging. Stainless steel fixing should be used for securing the locking mechanism and keeps in position.

TOP HUNG VENTILATORS WHEN USING COCKSPUR HANDLES

If the width of the ventilator frame is less than 750mm, fit one handle.

If the width of the ventilator is greater than 750mm, fit two handles.

SIDE HUNG VENTILATORS WHEN USING COCKSPUR HANDLES

If the height of the ventilator frame is less than 750mm, fit one handle.

If the height of the ventilator is greater than 750mm, fit two handles.

GLAZING

All beads are cut to suit the glazing aperture on the fully assembled window for glazing either at factory or on site as required. It is advisable to use a gasket roller when using low-line gaskets to ensure a neat finish.

Specification

INTERNALLY BEADED GLAZING

Glazing beads are fitted to openings by cutting the horizontal beads square to head and cill of each vent and fixed light area. Vertical beads are cut square at both ends. Insert bottom beads and two setting blocks to ensure glass will be centralized in vertical dimension of opening (glazing blocks must be full width of cavity to fully support glass or sealed unit), then insert top bead followed by side beads. Finish glazing by insertion of internal gaskets all round.

The below is a summary of testing under Kitemark Licence Numbers: KM81580 & KM81543. The full details may be downloaded from www.smartsystems.co.uk

Alitherm 800 Window Weather Performance (BS6375-1:2009)

BS EN 1026: 2000 Air Permeability:	Class 3 (600Pa)
BS EN 1027: 2000 Watertightness:	Class E1050
BS EN 12211: 2000 Resistance to Wind Load:	Class 5 (2000Pa)

Alitherm 800 Window Operational Performance (BS6375-2:2009)

Alitherm 800 has passed the operational & strength requirements of of BS6375-2

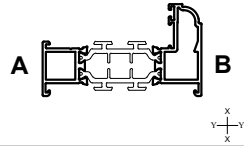
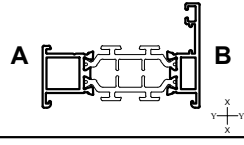
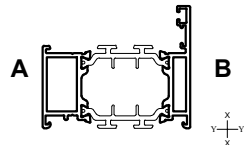
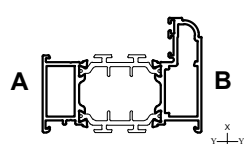
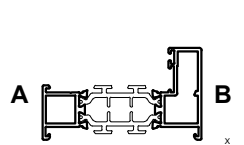
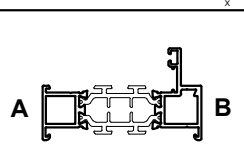
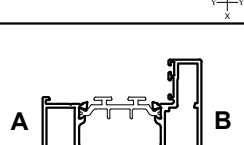
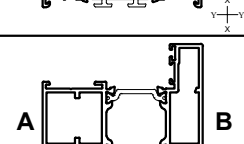
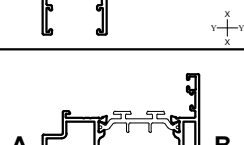
Alitherm 800 Security (PAS24:2012)

Alitherm 800 has been successfully tested to PAS24:2012

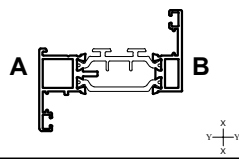
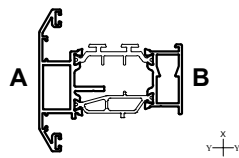
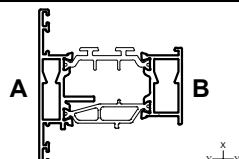
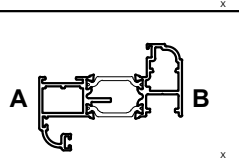
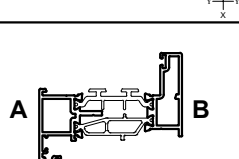
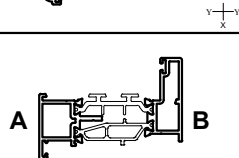
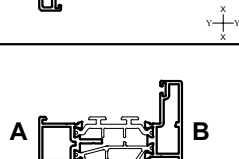
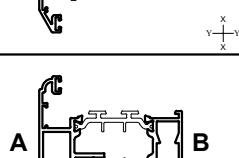
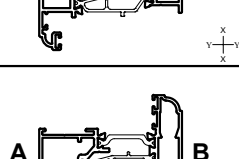
Alitherm 800 Window U Values

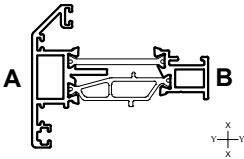
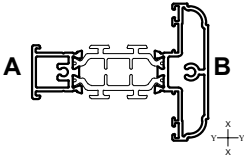
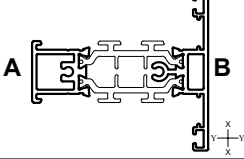
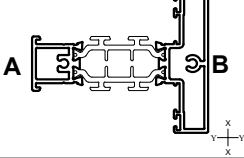
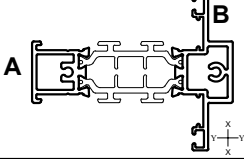
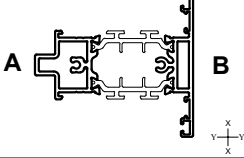
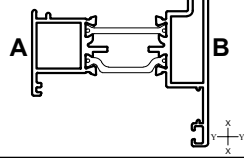
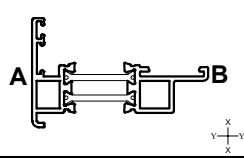
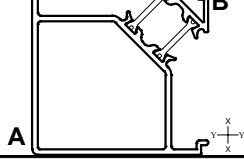
Please refer to the Smart Systems' Document L White Paper or contact the Technical Department.

Specification

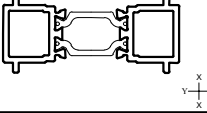
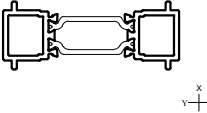
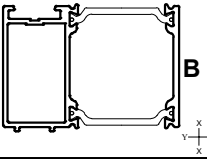
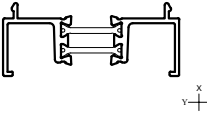
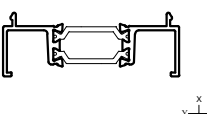
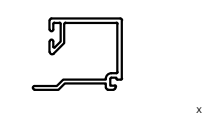
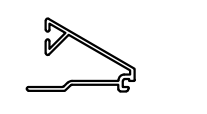
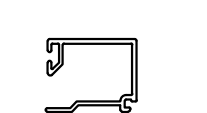
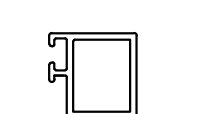
Number	Picture	Page	Perim. mm	Mec. mm	Ix(cm4) wx(cm3)	Iy(cm4) wy(cm3)	Length	Pack pr.	MF	SA	KL	HP	M	
ETC810		A17	277	83	21.9 ----- 5.46	3.48 ----- 2.04	6.5	1	✓	✓	✓	✓	✓	
ETC811		A17	267	74	16.07 ----- 4.69	2.41 ----- 1.53	6.5	1	✓	✓	✓	✓	✓	
ETC812		A17	327	96	22.51 ----- 6.68	5.94 ----- 2.9	6.5	1	✓	✓	✓	✓	✓	
ETC813		A18	336	103	30.46 ----- 7.76	8.40 ----- 3.8	6.5	1	✓	✓	✓	✓	✓	
ETC814		A18	280	86	22.30 ----- 5.50	3.80 ----- 2.1	6.5	1	✓	✓	✓	✓	✓	
ETC815		A18	286	84	20.92 ----- 5.35	2.63 ----- 1.6	6.5	1	✓	✓	✓	✓	✓	
ETC816		A19	339	106	30.74 ----- 7.74	8.78 ----- 3.9	6.5	1	✓	✓	✓	✓	✓	
ETC817		A19	471	125	35.68 ----- 9.91	16.90 ----- 4.8	6.5	1	✓	✓	✓	✓	✓	
ETC819		A19	295	99	29.23 ----- 9.94	7.48 ----- 2.50	6.5	1	✓	✓	✓	✓	✓	
									A = Outside B = Inside		MF = Mill Finish SA = Silver Anodised KL = Basic Colour HP = Special Colour M = Dual Colour			

PROFILES : TECHNICAL INFORMATION

Number	Picture	Page	Perim. mm	Mec. mm	Ix(cm4) wx(cm3)	Iy(cm4) wy(cm3)	Length	Pack pr.	MF	SA	KL	HP	M	
ETC821		A20	308	91	18.05 ----- 5.78	3.53 ----- 1.33	6.5	1	✓	✓	✓	✓	✓	
ETC823		A20	423	114	26.72 ----- 10.35	9.66 ----- 3.02	6.5	1	✓	✓	✓	✓	✓	
ETC824		A21	367	124	25.96 ----- 7.87	7.89 ----- 2.93	6.5	1	✓	✓	✓	✓	✓	
ETC825		A21	403	102	29.10 ----- 8.30	7.18 ----- 2.60	6.5	1	✓	✓	✓	✓	✓	
ETC826		A22	345	99	24.02 ----- 7.50	6.30 ----- 2.24	6.5	1	✓	✓	✓	✓	✓	
ETC827		A22	350	103	24.48 ----- 7.74	6.69 ----- 2.41	6.5	1	✓	✓	✓	✓	✓	
ETC828		A23	338	98	23.69 ----- 7.34	6.14 ----- 2.17	6.5	1	✓	✓	✓	✓	✓	
ETC829		A23	435	119	27.14 ----- 10.64	10.06 ----- 3.15	6.5	1	✓	✓	✓	✓	✓	
ETC8201		A20	349	104	26.84 ----- 7.78	7.23 ----- 2.55	6.5	1	✓	✓	✓	✓	✓	
									A = Outside B = Inside		MF = Mill Finish SA = Silver Anodised KL = Basic Colour HP = Special Colour M = Dual Colour			

Number	Picture	Page	Perim. mm	Mec. mm	lx(cm4) wx(cm3)	ly(cm4) wy(cm3)	Length	Pack pr.	MF	SA	KL	HP	M	
ETC8250		A21	316	86	19.73 ----- 8.02	4.90 ----- 1.93	6.5	1	✓	✓	✓	✓	✓	
ETC830		A24	307	101	24.81 ----- 5.87	6.56 ----- 2.41	6.5	1	✓	✓	✓	✓	✓	
ETC832		A24	336	90	18.32 ----- 5.05	3.89 ----- 1.43	6.5	1	✓	✓	✓	✓	✓	
ETC834		A25	312	109	23.81 ----- 5.99	7.24 ----- 2.6	6.5	1	✓	✓	✓	✓	✓	
ETC835		A25	324	109	23.81 ----- 5.76	4.36 ----- 1.6	6.5	1	✓	✓	✓	✓	✓	
ETC839		A26	347	127	29.67 ----- 7.17	7.10 ----- 2.25	6.5	1	✓	✓	✓	✓	✓	
ETC845		A27	342	104	20.19 ----- 8.06	6.17 ----- 2.8	6.5	1	✓	✓	✓	✓	✓	
ETC846		A27	273	44	10.17 ----- 2.74	1.66 ----- 1.12	6.5	1	✓	✓	✓	✓	✓	
ETC848		A28	375	140	27.88 ----- 8.78	27.88 ----- 8.78	6.5	1	✓	✓	✓	✓	✓	
									A = Outside B = Inside		MF = Mill Finish SA = Silver Anodised KL = Basic Colour HP = Special Colour M = Dual Colour			

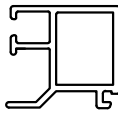

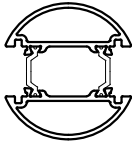
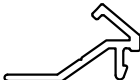
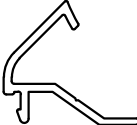
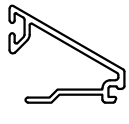
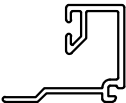
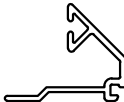
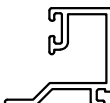
PROFILES : TECHNICAL INFORMATION

Number	Picture	Page	Perim. mm	Mec. mm	Ix(cm4) wx(cm3)	Iy(cm4) wy(cm3)	Length	Pack pr.	MF	SA	KL	HP	M
ETC852		A29	230	41	16.21 ----- 5.32	1.94 ----- 1.4	6.5	1	✓	✓	✓	✓	✓
ETC853		A29	230	41	23.28 ----- 6.65	1.94 ----- 1.4	6.5	1	✓	✓	✓	✓	✓
ETC856		A30	293	85	18.10 ----- 6.48	7.25 ----- 3.19	6.5	1	✓	✓	✓	✓	✓
ETC857		A29	253	70	10.67 ----- 3.50	0.96 ----- 0.7	6.5	1	✓	✓	✓	✓	✓
ETC858		A29	253	70	15.43 ----- 4.41	0.96 ----- 0.7	6.5	1	✓	✓	✓	✓	✓
ETC861		A33	154	36	** ----- **	** ----- **	6.5	1	✓	✓	✓	✓	
ETC862		A31	138	31	** ----- **	** ----- **	6.5	1	✓	✓	✓	✓	
ETC864		A31	162	40	** ----- **	** ----- **	6.5	1	✓	✓	✓	✓	
ETC865		A35	108	33	** ----- **	** ----- **	6.5	1	✓	✓	✓	✓	

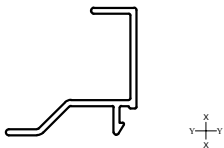
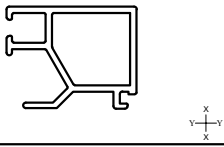
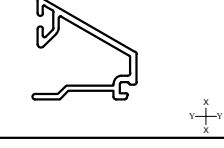
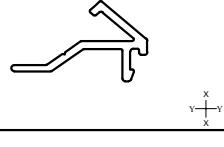
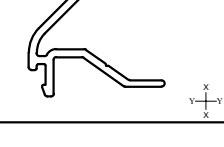
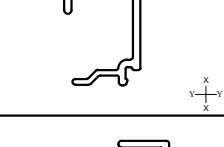
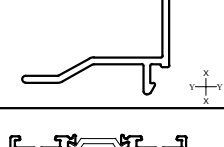
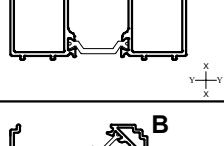
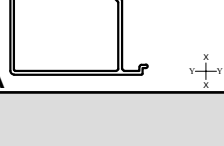
A = Outside
B = Inside

MF = Mill Finish
SA = Silver Anodised
KL = Basic Colour
HP = Special Colour
M = Dual Colour

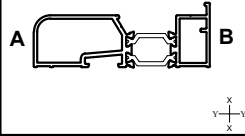
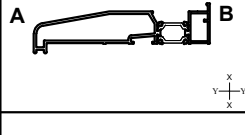
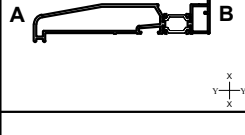
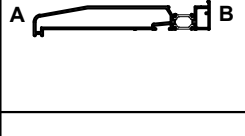
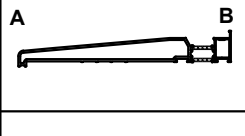
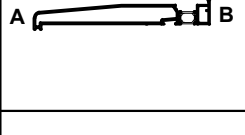
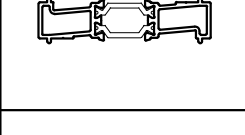
PROFILES : TECHNICAL INFORMATION

Number	Picture	Page	Perim. mm	Mec. mm	lx(cm4) wx(cm3)	ly(cm4) wy(cm3)	Length	Pack pr.	MF	SA	KL	HP	M	
ETC866		A35	124	37	** ---- **	** ---- **	6.5	1	✓	✓	✓	✓		
ETC867		A33	134	28	** ---- **	** ---- **	6.5	1	✓	✓	✓	✓		
ETC869		A36	332	144	** ---- **	** ---- **	6.5	1	✓	✓	✓	✓	✓	
ETC870		A36	91	13	** ---- **	** ---- **	6.5	1	✓	✓	✓	✓		
ETC871		A36	116	23	** ---- **	** ---- **	6.5	1	✓	✓	✓	✓		
ETC872		A32	128	39	** ---- **	** ---- **	6.5	1	✓	✓	✓	✓		
ETC873		A34	138	30	** ---- **	** ---- **	6.5	1	✓	✓	✓	✓		
ETC874		A34	117	24	** ---- **	** ---- **	6.5	1	✓	✓	✓	✓		
ETC875		A35	134	31	** ---- **	** ---- **	6.5	1	✓	✓	✓	✓		
									A = Outside B = Inside		MF = Mill Finish SA = Silver Anodised KL = Basic Colour HP = Special Colour M = Dual Colour			

PROFILES : TECHNICAL INFORMATION

Number	Picture	Page	Perim. mm	Mec. mm	lx(cm4) wx(cm3)	ly(cm4) wy(cm3)	Length	Pack pr.	MF	SA	KL	HP	M	
ETC876		A37	122	31	** ---- **	** ---- **	6.5	1	✓	✓	✓	✓		
ETC877		A35	127	41	** ---- **	** ---- **	6.5	1	✓	✓	✓	✓		
ETC878		A33	123	28	** ---- **	** ---- **	6.5	1	✓	✓	✓	✓		
ETC880		A36	94	15	** ---- **	** ---- **	6.5	1	✓	✓	✓	✓		
ETC881		A36	120	24	** ---- **	** ---- **	6.5	1	✓	✓	✓	✓		
ETC882		A32	111	38	** ---- **	** ---- **	6.5	1	✓	✓	✓	✓		
ETC886		A37	118	31	** ---- **	** ---- **	6.5	1	✓	✓	✓	✓		
DV515		A30	356	86	27.2 ---- 7.8	14.4 ---- 6.8	6.5	1	✓	✓	✓	✓	✓	
ETC048		A28	414	140	42.6 ---- 5.9	42.6 ---- 5.9	6.5	1	✓	✓	✓	✓	✓	
									A = Outside B = Inside		MF = Mill Finish SA = Silver Anodised KL = Basic Colour HP = Special Colour M = Dual Colour			

PROFILES : TECHNICAL INFORMATION

Number	Picture	Page	Perim. mm	Mec. mm	lx(cm4) wx(cm3)	ly(cm4) wy(cm3)	Length	Pack pr.	MF	SA	KL	HP	M	
ETC451		A38	304	109	32.44 ----- 7.29	3.46 ----- 2.79	6.5	1	✓	✓	✓	✓	✓	
ETC452		A38	414	197	122.46 ----- 18.03	6.01 ----- 3.34	6.5	1	✓	✓	✓	✓	✓	
ETC457		A38	444	212	163.27 ----- 21.60	6.79 ----- 3.73	6.5	1	✓	✓	✓	✓	✓	
ETC458		A39	524	252	313.62 ----- 32.63	8.87 ----- 4.79	6.5	1	✓	✓	✓	✓	✓	
ETC477		A40	752	408	1591.6 ----- 105.33	26.84 ----- 12.84	6.5	1	✓	✓	✓	✓	✓	
ETC479		A39	594	287	501.64 ----- 44.04	9.72 ----- 5.34	6.5	1	✓	✓	✓	✓	✓	
UN3000		A29	200	52	15.8 ----- 4.51	0.79 ----- 0.84	6.5	1	✓	✓	✓	✓	✓	
									A = Outside B = Inside		MF = Mill Finish SA = Silver Anodised KL = Basic Colour HP = Special Colour M = Dual Colour			

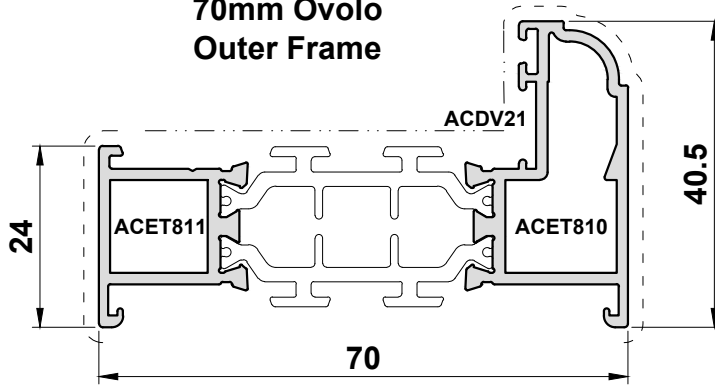
PROFILES : TECHNICAL INFORMATION

Number	Picture	Page	Perim. mm	Mec. mm	Ix(cm4) wx(cm3)	Iy(cm4) wy(cm3)	Length	Pack pr.	MF				
									A = Outside B = Inside	MF = Mill Finish SA = Silver Anodised KL = Basic Colour HP = Special Colour M = Dual Colour			

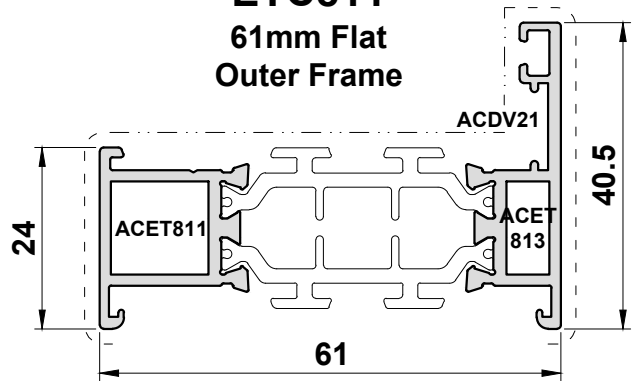
Primary Visible Side

Secondary Visible Side

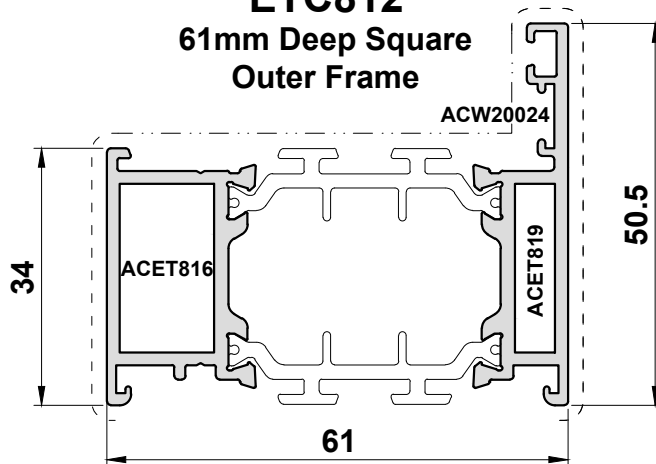
ETC810
70mm Ovolo
Outer Frame



ETC811
61mm Flat
Outer Frame



ETC812
61mm Deep Square
Outer Frame

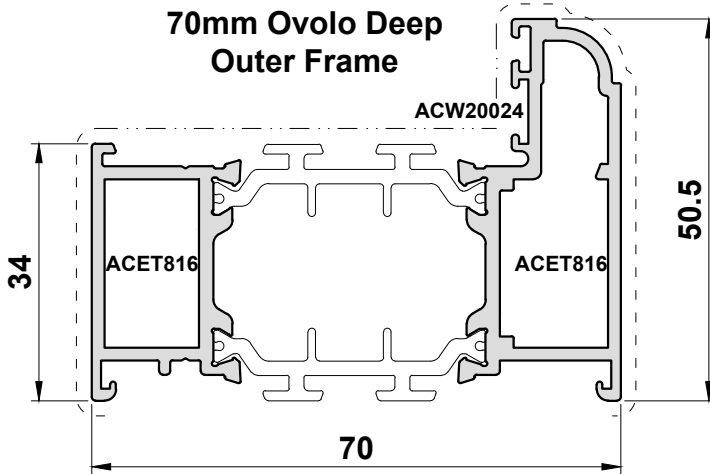


Scale 1:1

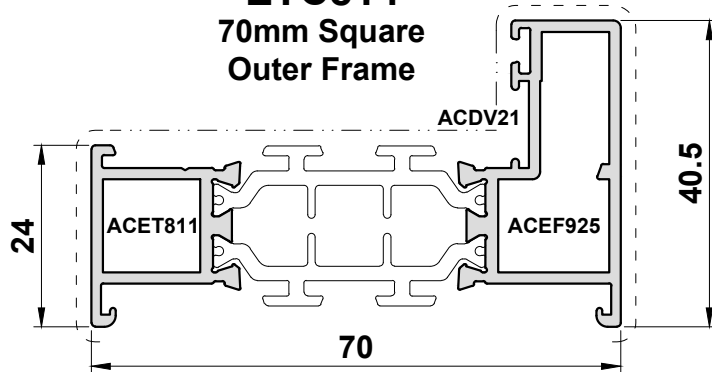
Primary Visible Side

Secondary Visible Side

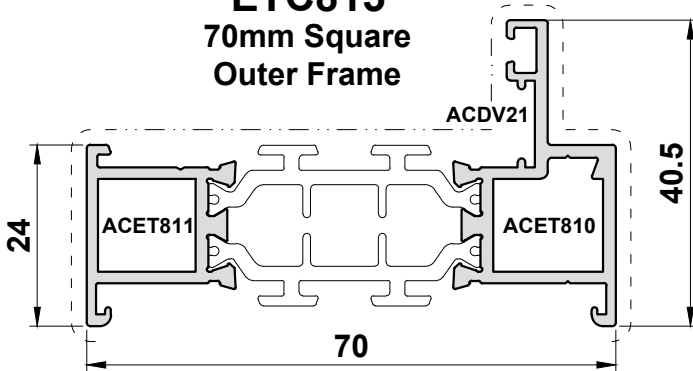
ETC813
70mm Ovolo Deep
Outer Frame



ETC814
70mm Square
Outer Frame



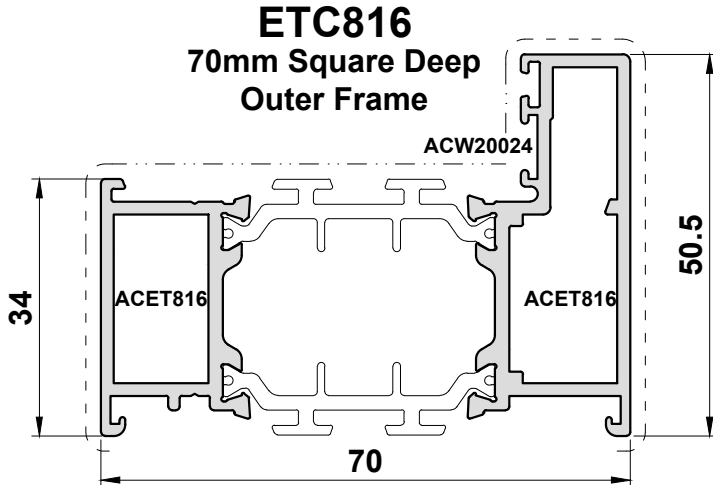
ETC815
70mm Square
Outer Frame



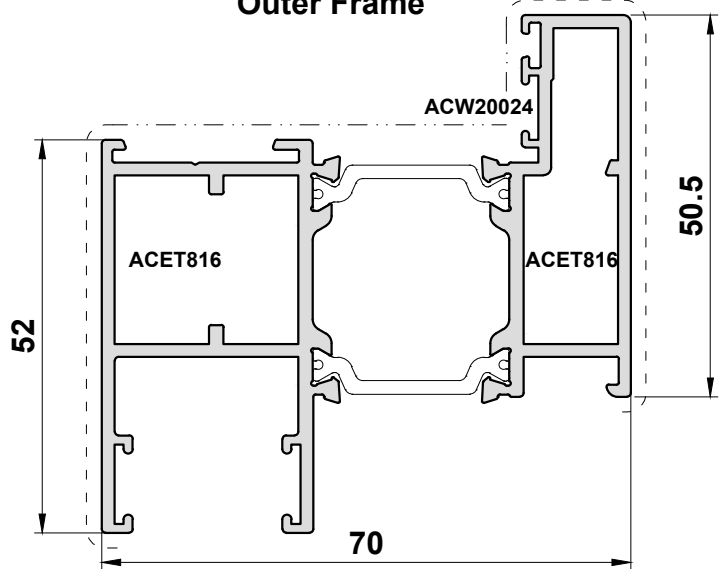
Scale 1:1

Primary Visible Side

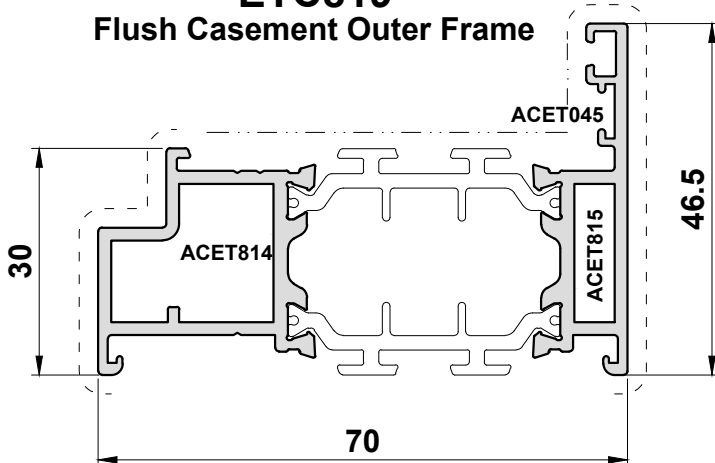
Secondary Visible Side



ETC817
70mm Square Curtain Wall
Outer Frame



ETC819
Flush Casement Outer Frame

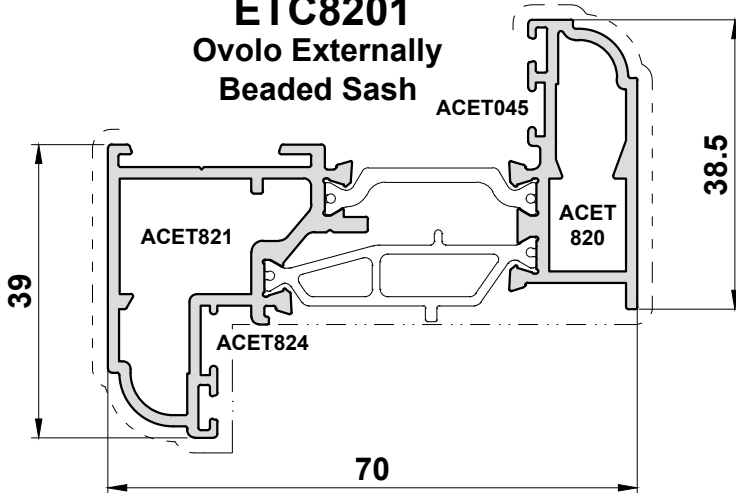


Scale 1:1

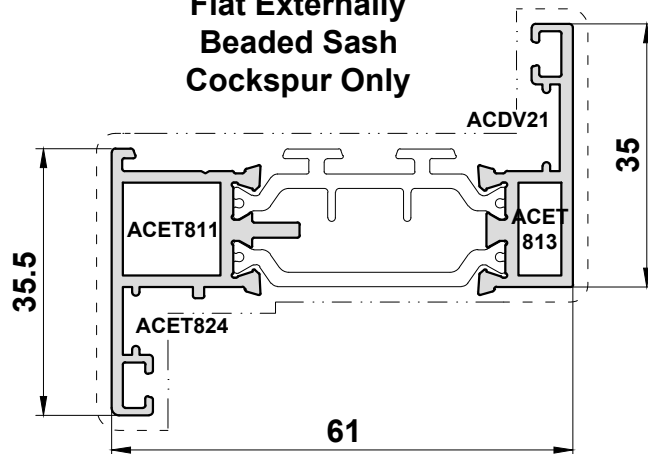
Primary Visible Side

Secondary Visible Side

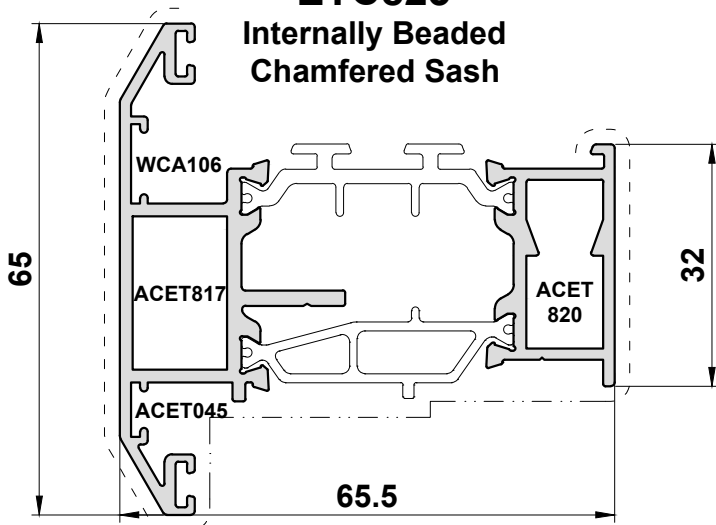
ETC8201
Ovolo Externally
Beaded Sash



ETC821
Flat Externally
Beaded Sash
Cockspur Only



ETC823
Internally Beaded
Chamfered Sash

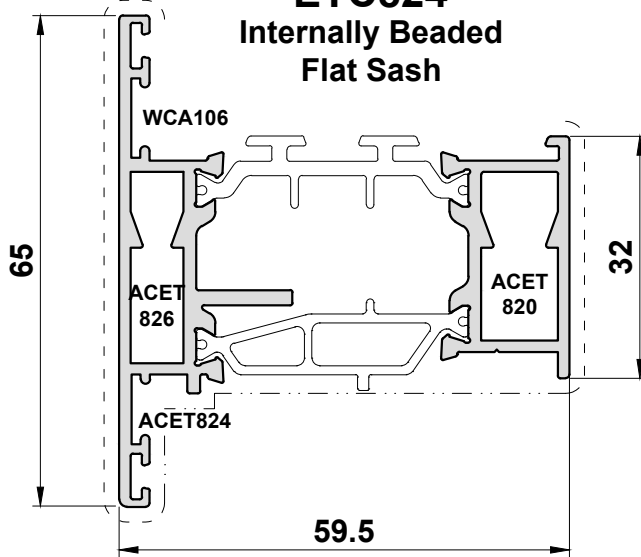


Scale 1:1

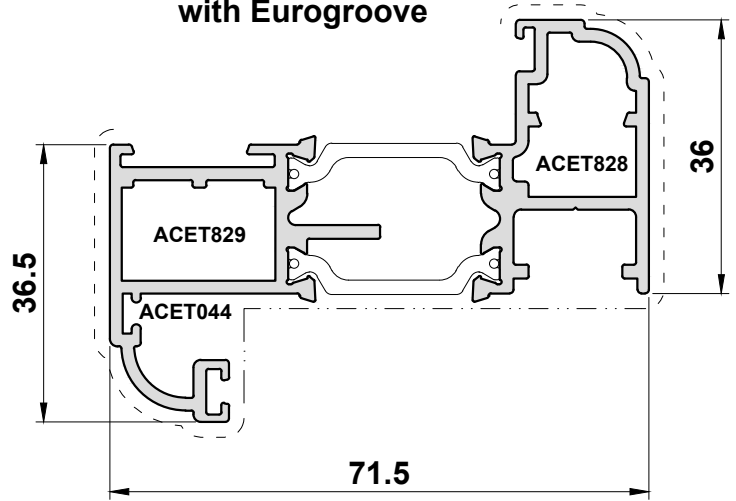
Primary Visible Side

Secondary Visible Side

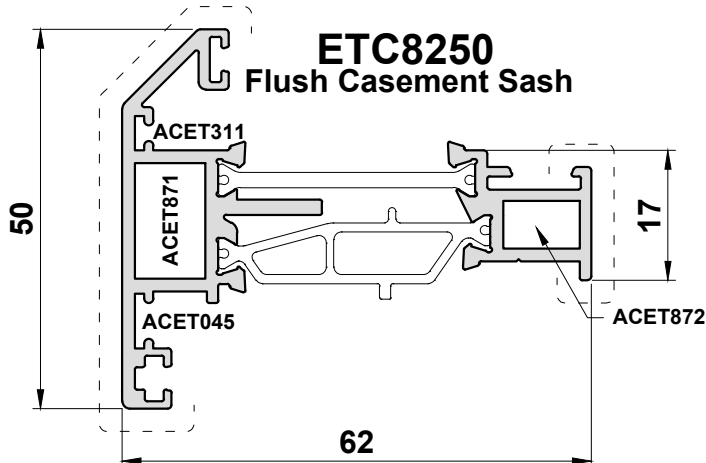
ETC824
Internally Beaded Flat Sash



ETC825
Ovolo Externally Beaded Sash with Eurogroove



ETC8250
Flush Casement Sash

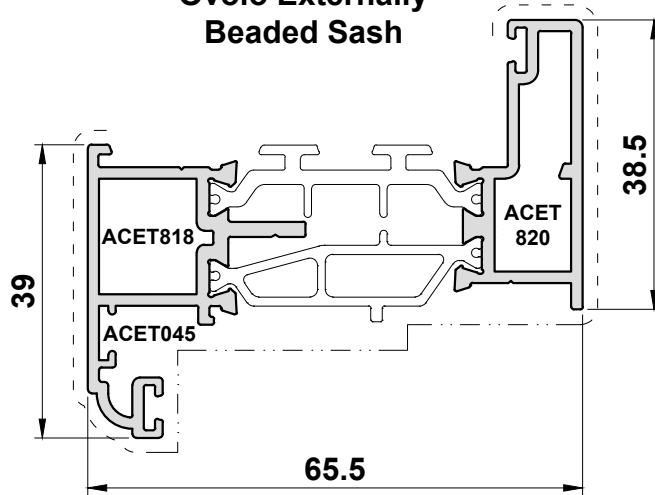


Scale 1:1

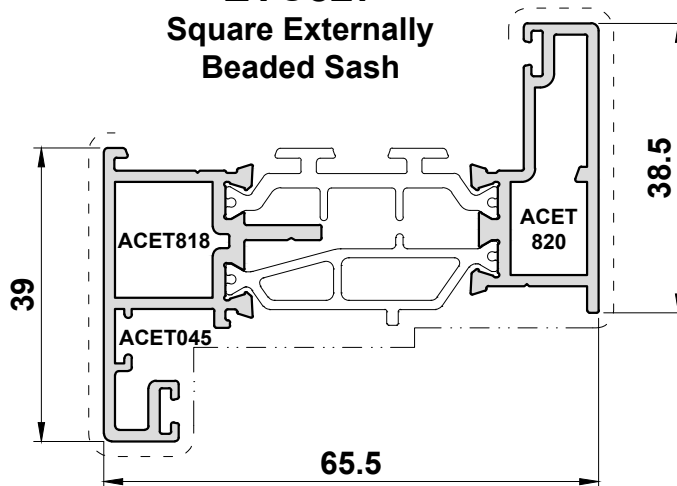
Primary Visible Side

Secondary Visible Side

ETC826
Ovolo Externally
Beaded Sash



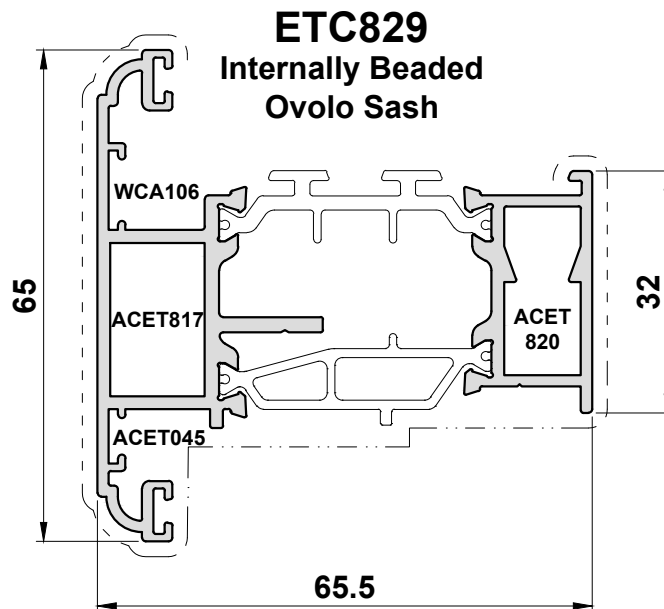
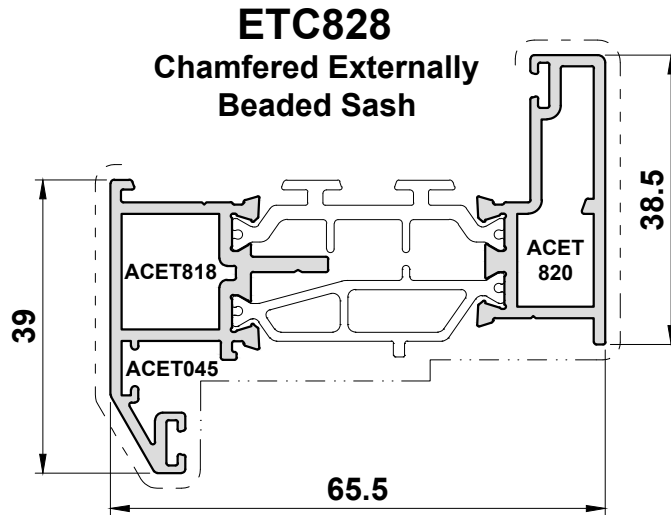
ETC827
Square Externally
Beaded Sash



Scale 1:1

Primary Visible Side

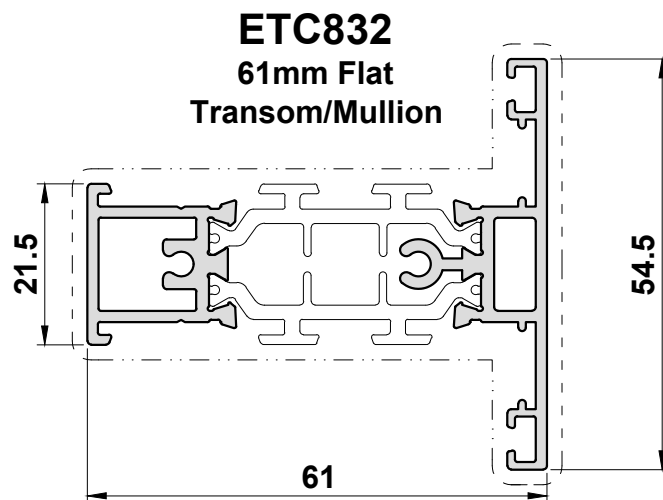
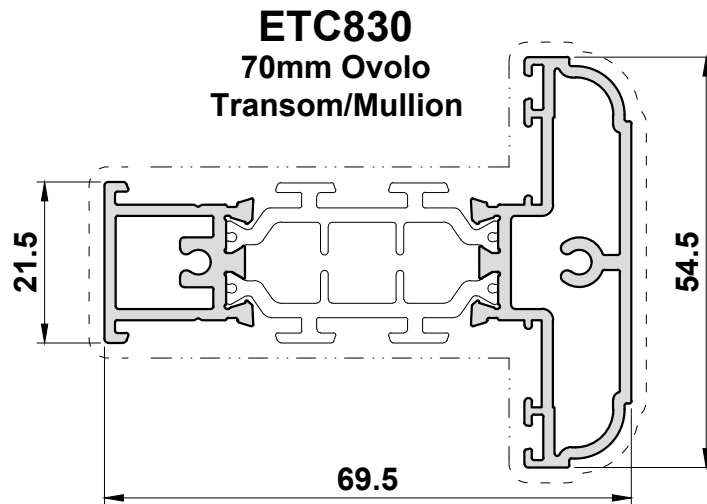
Secondary Visible Side



Scale 1:1

Primary Visible Side

Secondary Visible Side

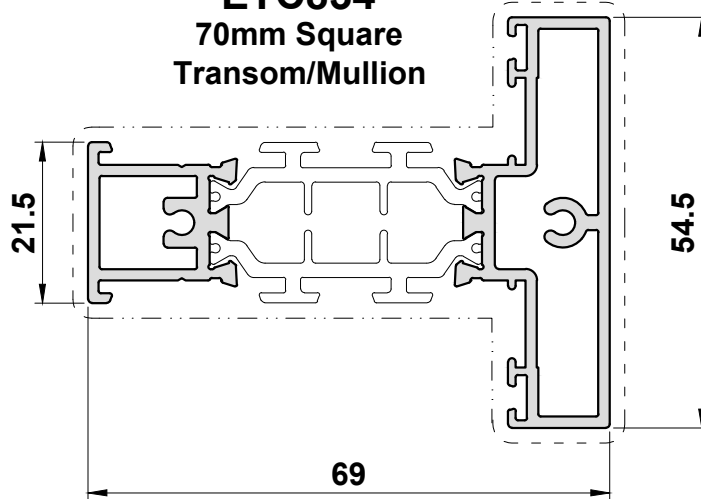


Scale 1:1

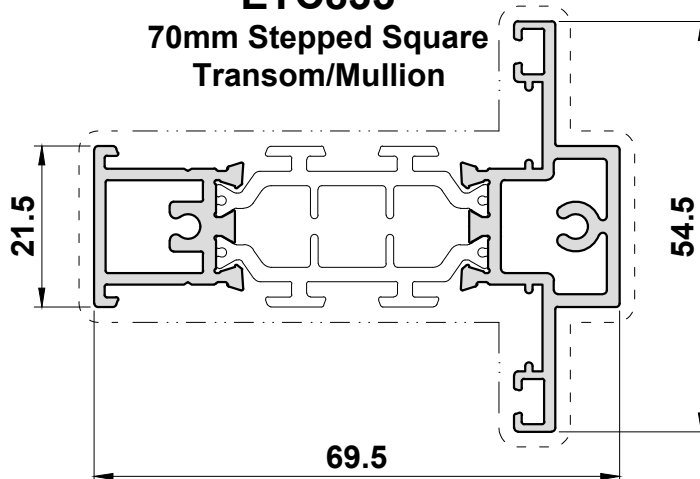
Primary Visible Side

Secondary Visible Side

ETC834
70mm Square
Transom/Mullion



ETC835
70mm Stepped Square
Transom/Mullion

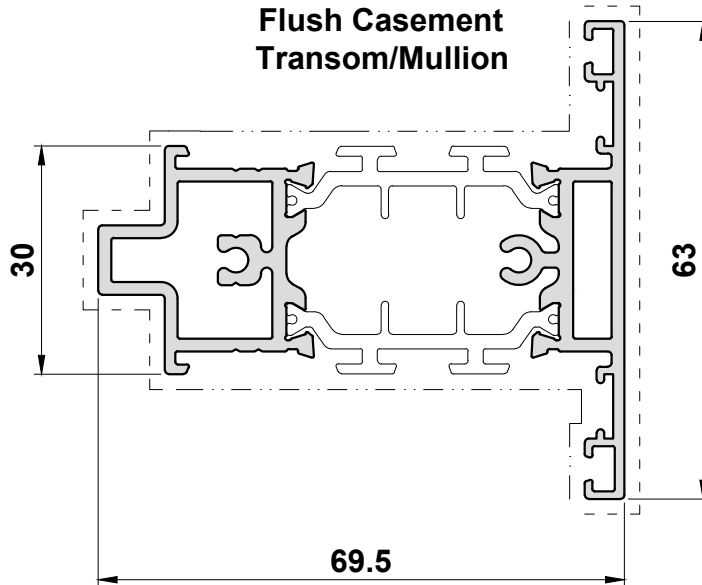


Scale 1:1

Primary Visible Side

Secondary Visible Side

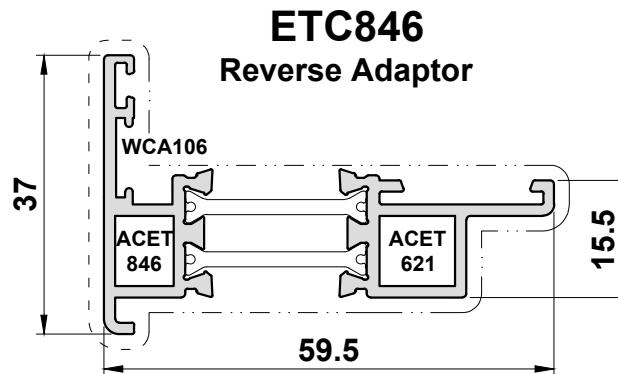
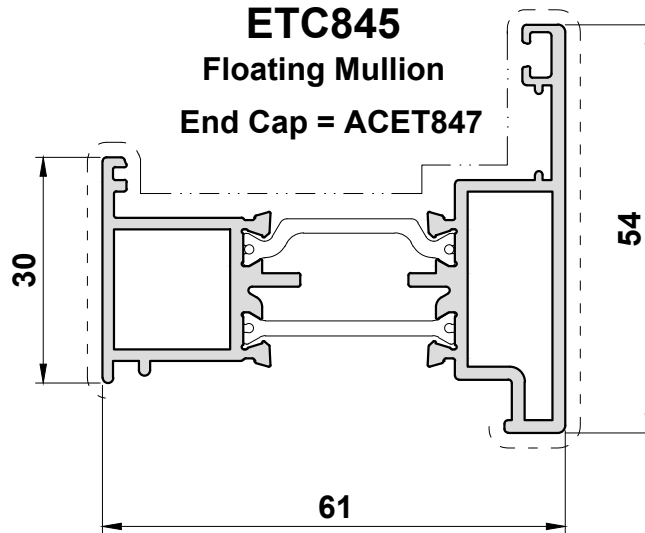
ETC839
Flush Casement
Transom/Mullion



Scale 1:1

Primary Visible Side

Secondary Visible Side

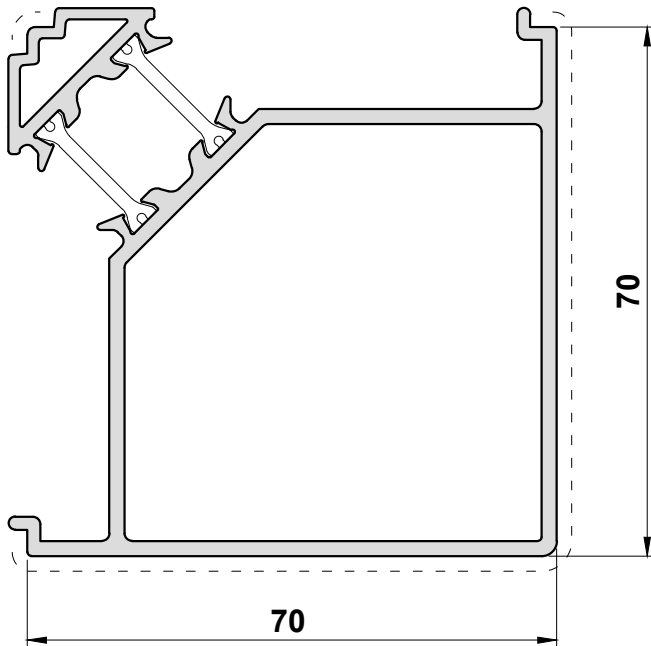


Scale 1:1

Primary Visible Side

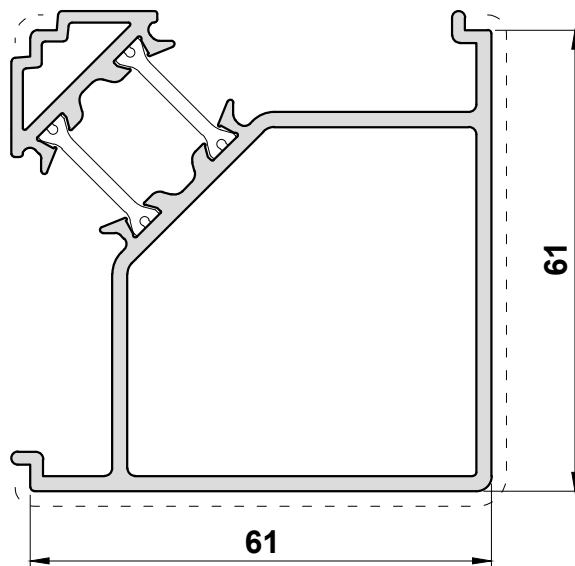
Secondary Visible Side

ETC048
70mm 90° Corner Post



ETC810 ETC815
ETC813 ETC816
ETC814 ETC819

ETC848
61mm 90° Corner Post



ETC811
ETC812

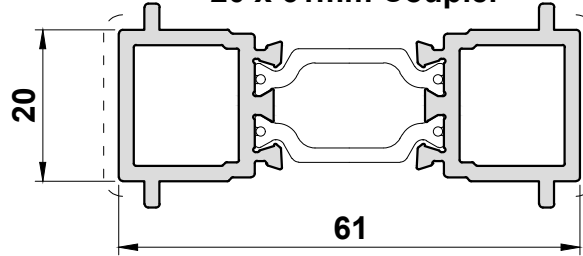
Scale 1:1

Primary Visible Side

Secondary Visible Side

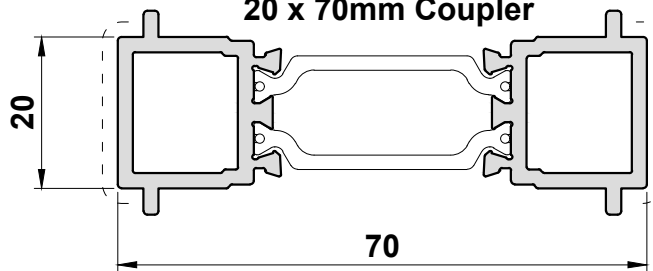
ETC852

20 x 61mm Coupler



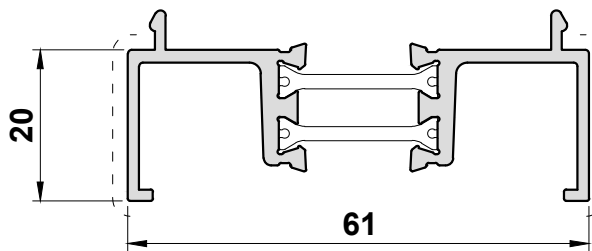
ETC853

20 x 70mm Coupler



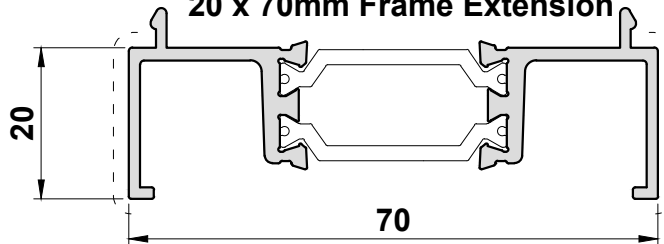
ETC857

20 x 61mm Frame Extension



ETC858

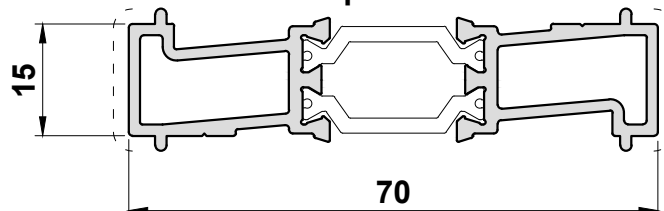
20 x 70mm Frame Extension



UN3000

15 x 70mm Horizontal Coupler

End Cap = ACUN3000

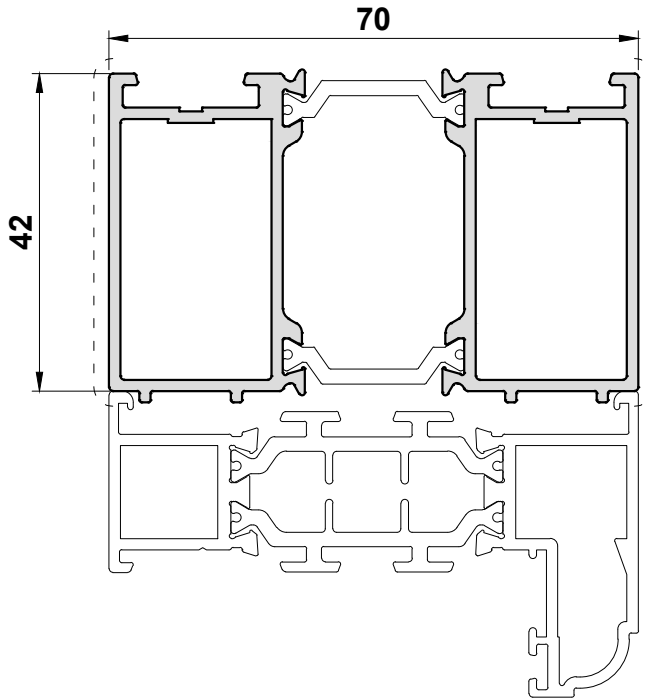


Scale 1:1

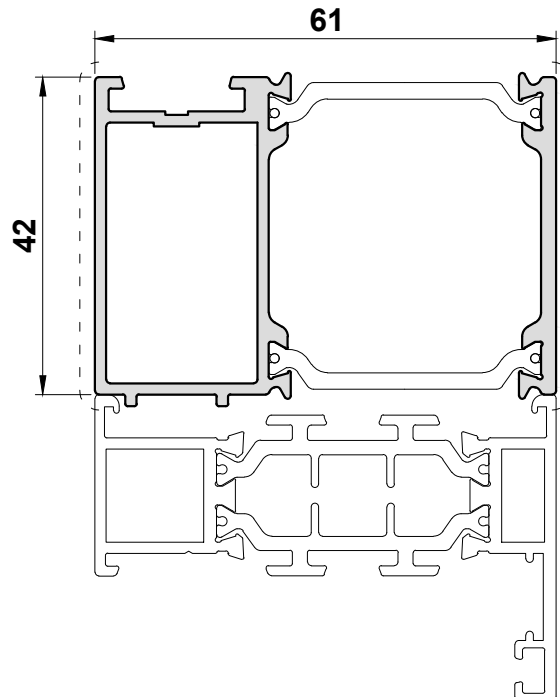
Primary Visible Side

Secondary Visible Side

DV515
70mm Head Extension



ETC856
61mm Head Extension



Scale 1:1

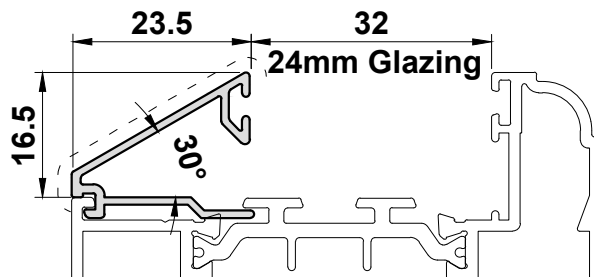
Primary Visible Side

Secondary Visible Side

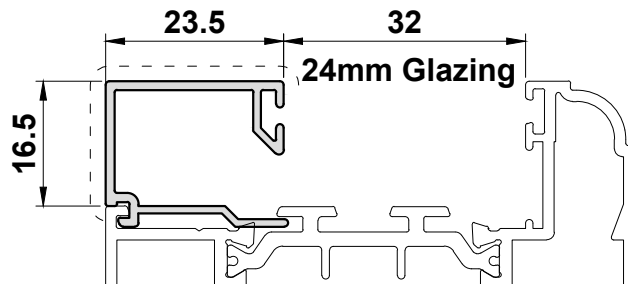
24mm External Glazing

(NOT ETC825)

ETC862



ETC864



See E21 - E23 for full glazing schedule

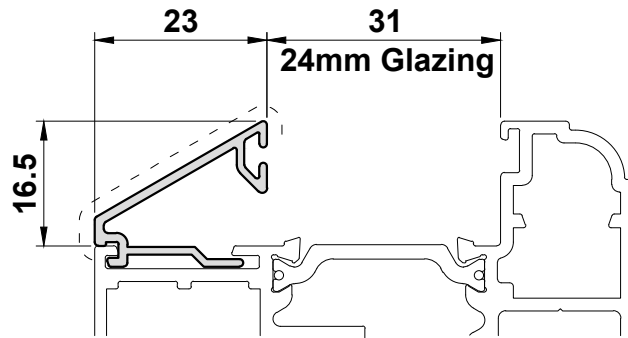
Scale 1:1

Primary Visible Side

Secondary Visible Side

24mm External Glazing

ETC872
24mm External
Glazing Bead
ETC825 ONLY

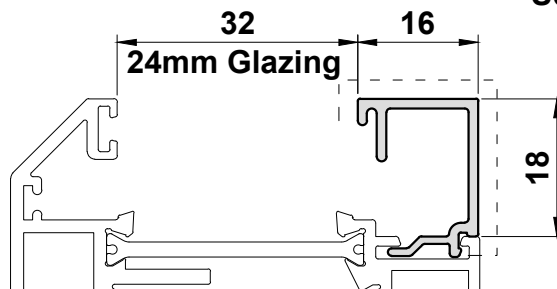


ETC825

24mm Flush Casement Internal Glazing

ETC882
24mm Flush Casement
Sq. Glazing Bead

ETC8250



See E21 - E23 for full glazing schedule

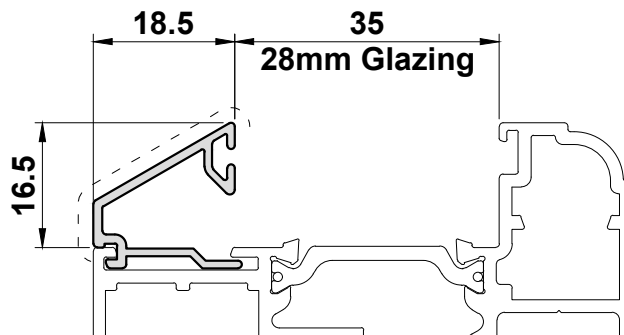
Scale 1:1

Primary Visible Side

Secondary Visible Side

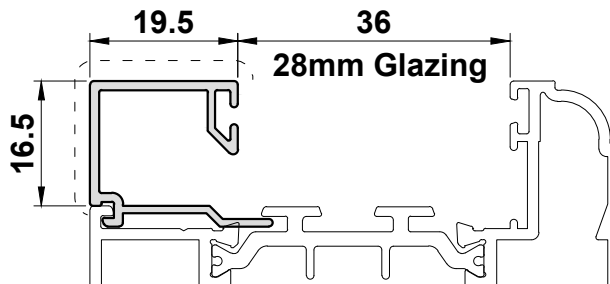
28mm External Glazing

ETC878
28mm External
Glazing Bead
ETC825 ONLY

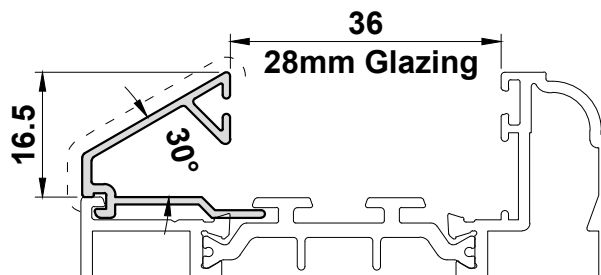


ETC825

ETC861



ETC867



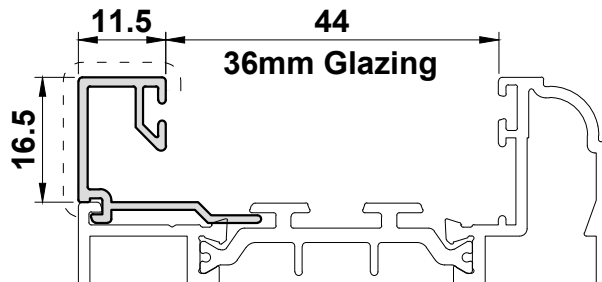
Scale 1:1

Primary Visible Side

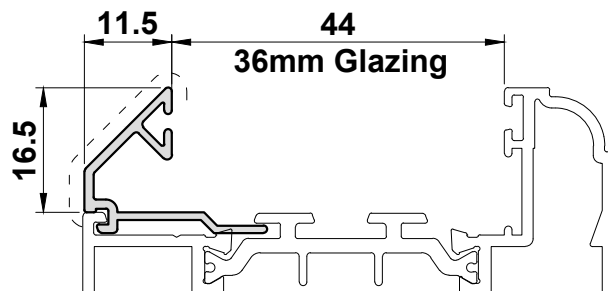
Secondary Visible Side

36mm External Glazing

ETC873



ETC874



Scale 1:1

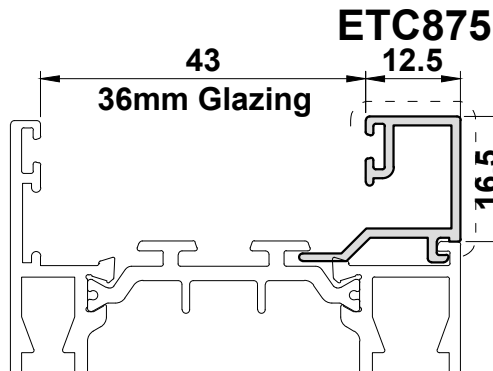
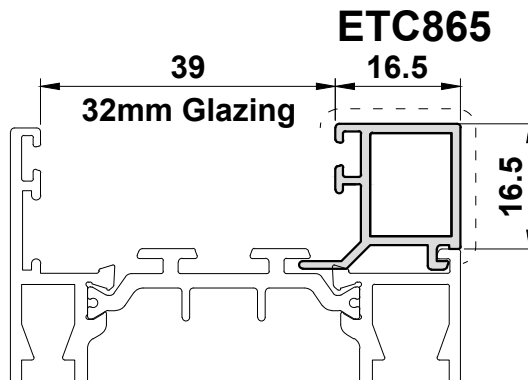
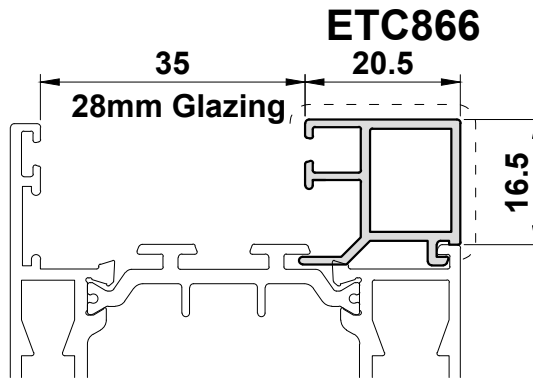
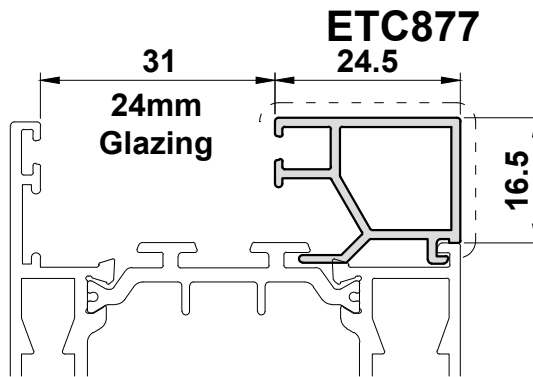
See E21 - E23 for full glazing schedule

Primary Visible Side

Secondary Visible Side

Internal Glazing

- ETC823
- ETC824
- ETC829
- ETC846

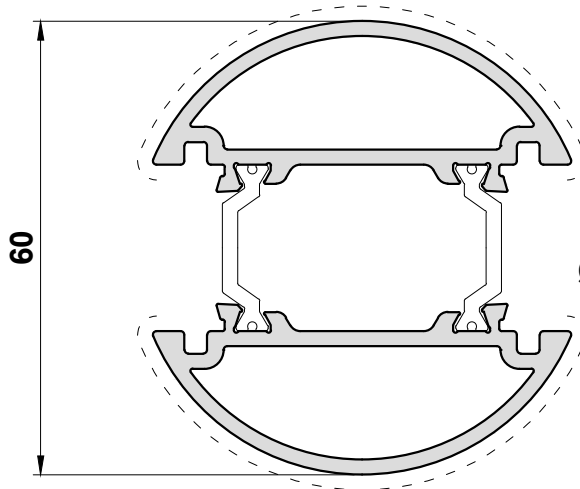


See E21 - E23 for full glazing schedule

Scale 1:1

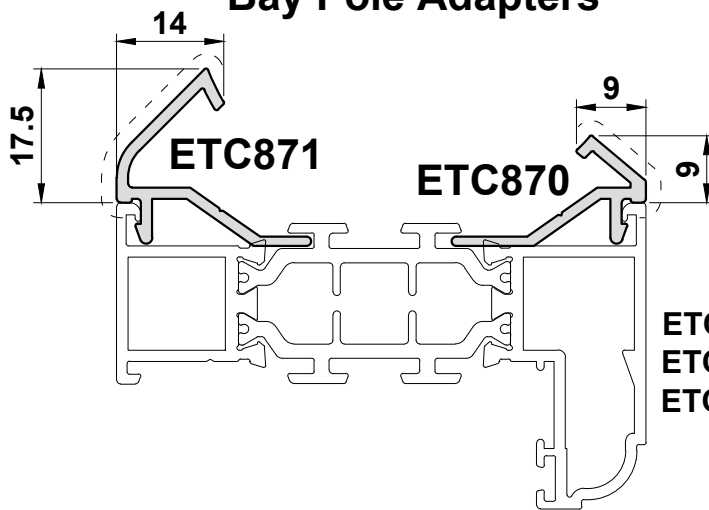
Primary Visible Side

Secondary Visible Side

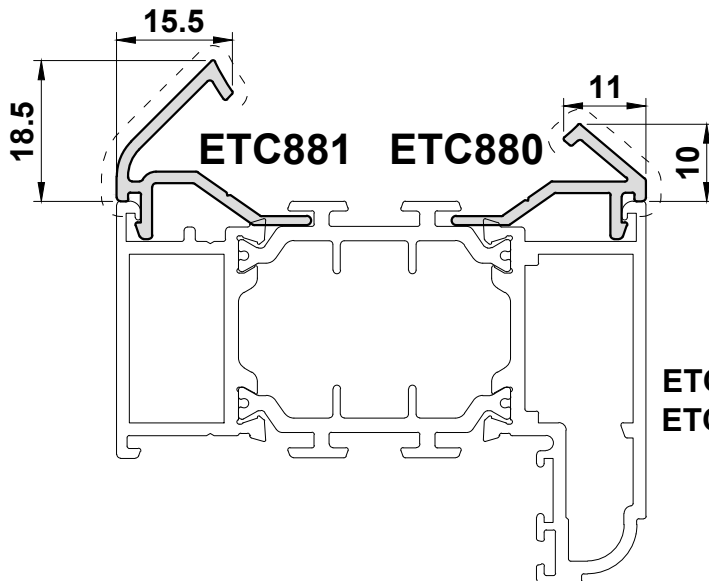


ETC869
Ø60mm Bay Pole

Bay Pole Adapters



ETC810
ETC814
ETC815



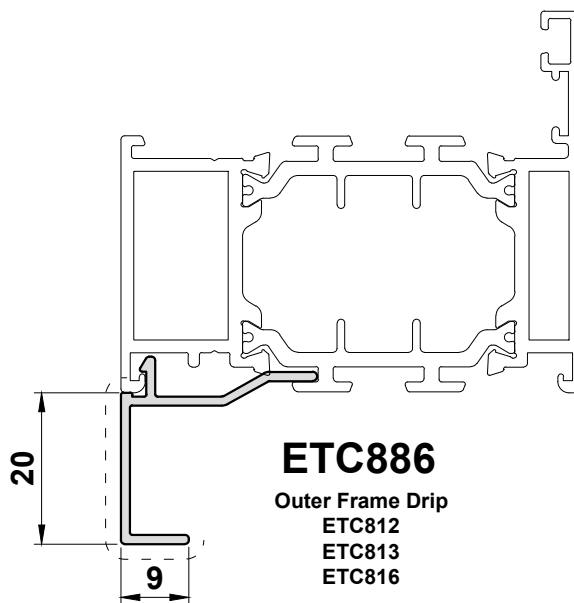
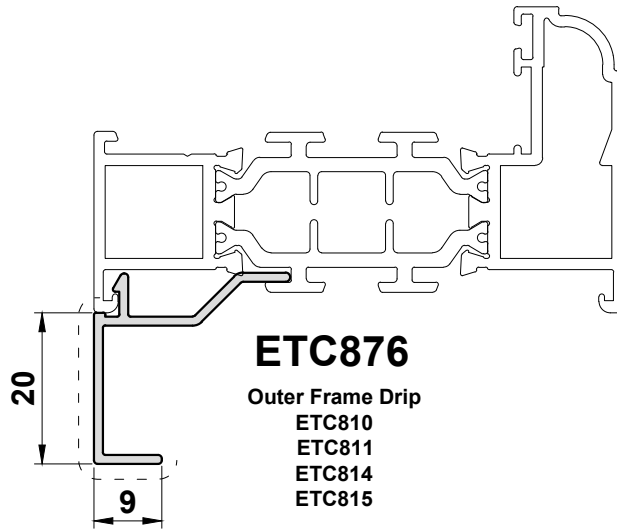
ETC813
ETC816

Scale 1:1

See E25 - E27 for bay pole arrangements

Primary Visible Side

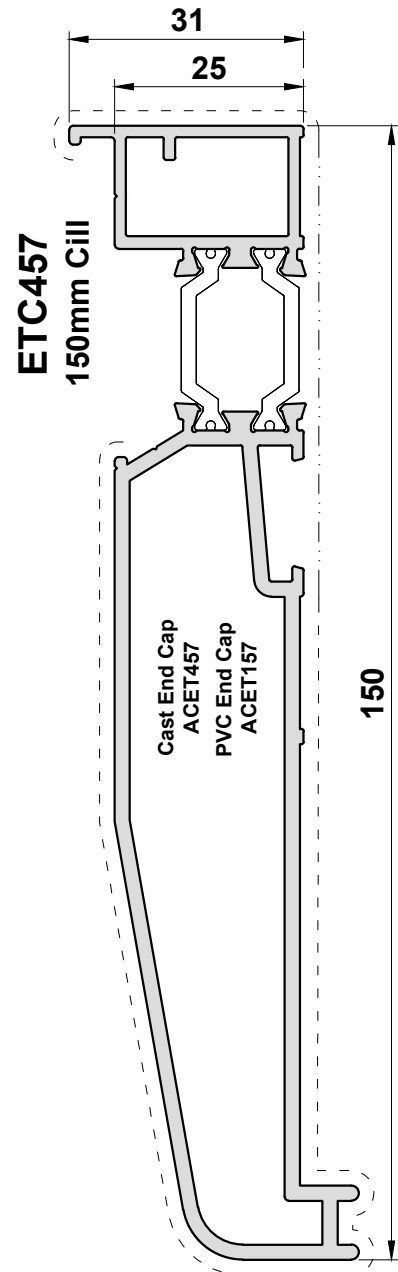
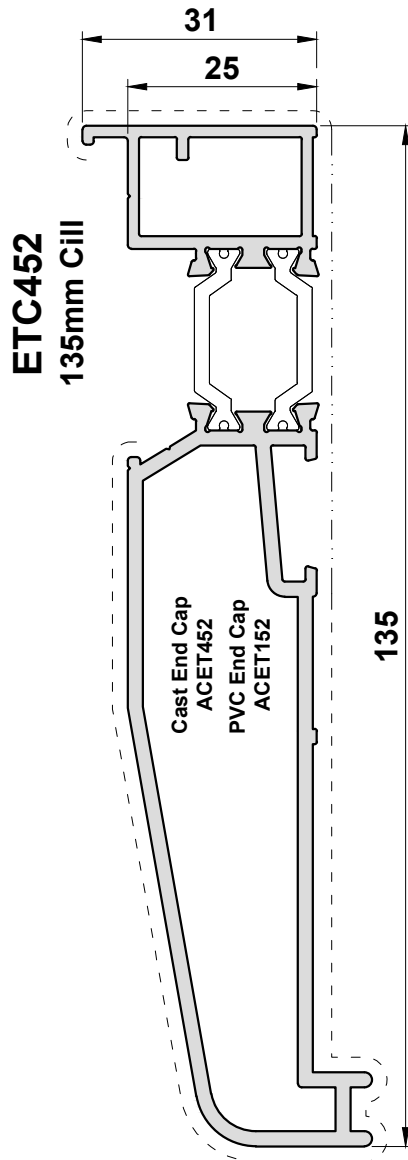
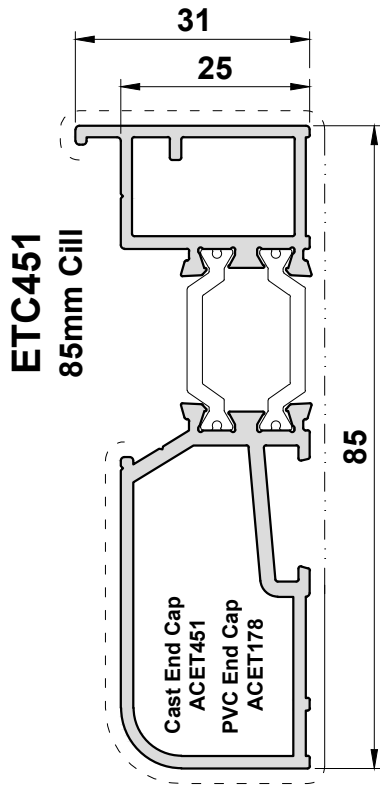
Secondary Visible Side



Scale 1:1

Primary Visible Side

Secondary Visible Side

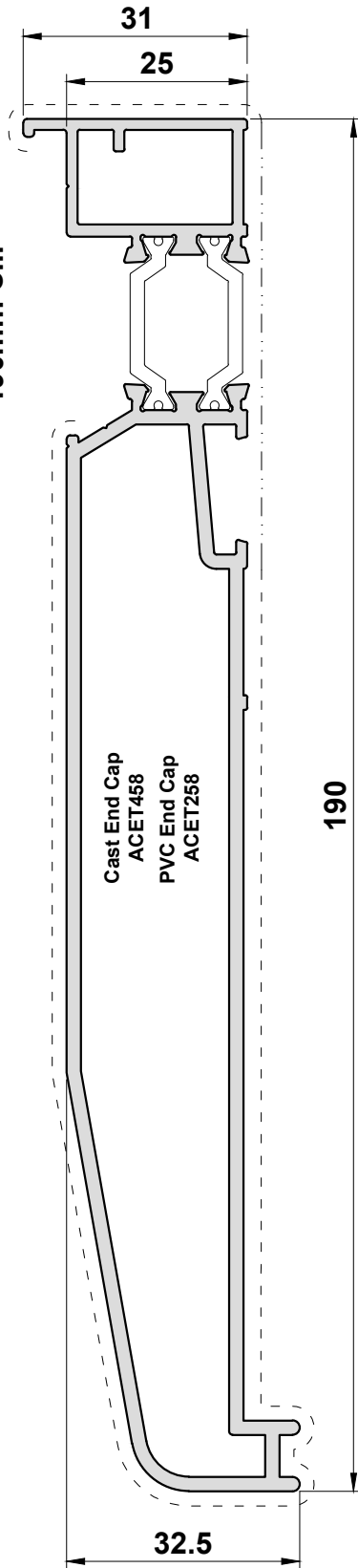


Scale 1:1

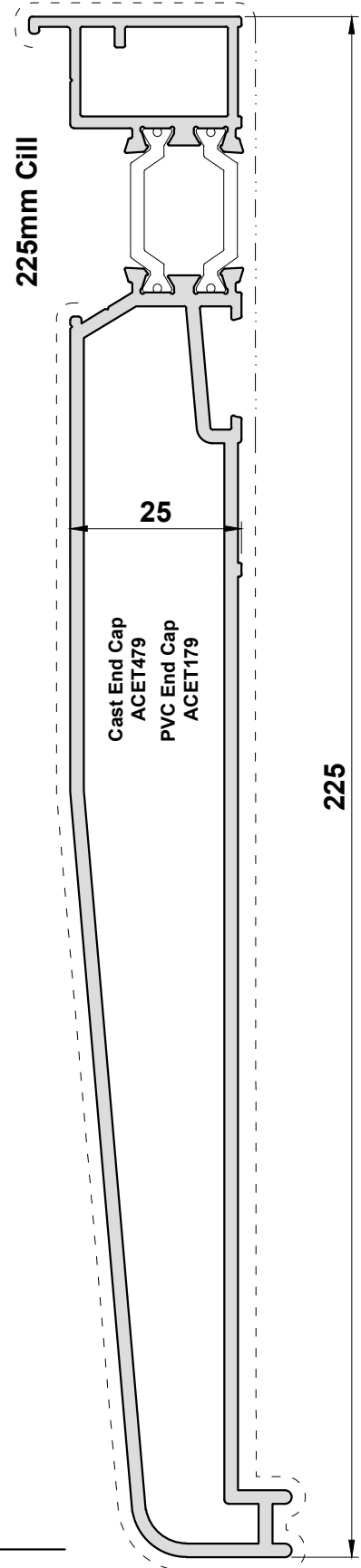
Primary Visible Side

Secondary Visible Side

ETC458
190mm Cill



ETC479
225mm Cill

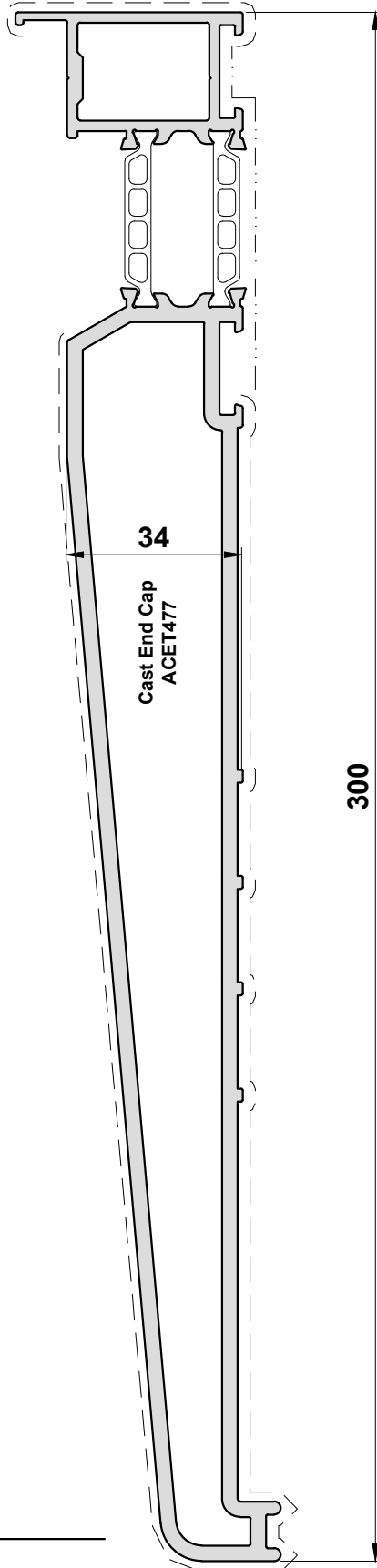


Scale 1:1

Primary Visible Side

Secondary Visible Side

ETC477
300mm Cill



Scale 1:1.333

Section B

Alitherm 800
Accessories
Photos & Drawings

Section B

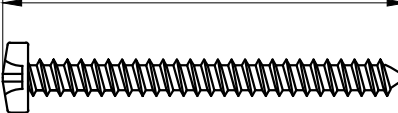
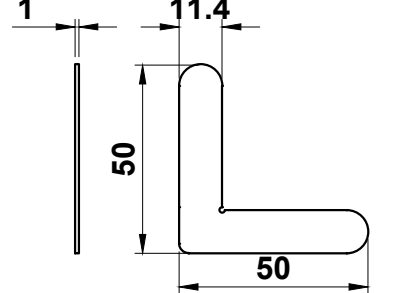
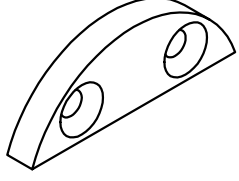
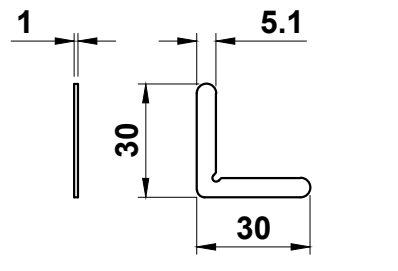
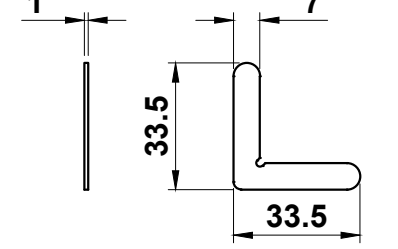

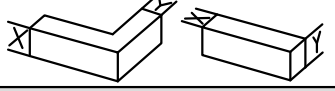
Image	Part Code	Pack	Unit	Application	Colour
	ACDR052 No.10 x 50 S/S Tapping Pan Hd Screw	200	pack	ETC048 ETC655	MF SA KL HP BSC SMC PC W Z
	ACDV21 Stainless Steel Chevron	100	pack	ETC810 ETC811 ETC814 ETC815 ETC821	MF ✓ SA KL HP BSC SMC PC W Z
	ACET041 Cill Nose Bracket Screws = ACET067	1	Each	ETC457 ETC458 ETC479	MF ✓ SA KL HP BSC SMC PC W Z
	ACET044 Stainless Steel Chevron	100	pack	ETC825	MF ✓ SA KL HP BSC SMC PC W Z
	ACET045 Stainless Steel Chevron	100	pack	ETC820 ETC823 ETC826 ETC827 ETC828 ETC829	MF ✓ SA KL HP BSC SMC PC W Z
	MF = Mill Finish SA = Silver Anodised KL = Basic Colour HP = Special Colour BSC = Brushed Satin Chrome SMC = Smokey Chrome PC = Polished Chrome	W = White Z = Black			

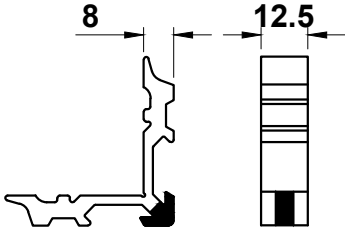
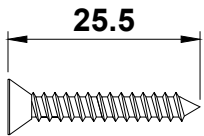
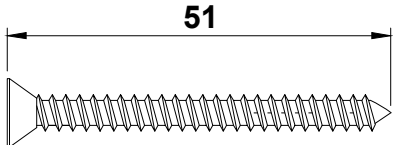
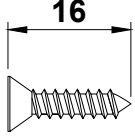
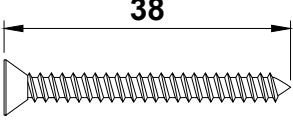

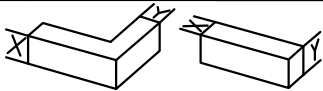
Image	Part Code	Pack	Unit	Application	Colour																		
	ACET057 Crimping Cleat	24	pack	ETC628	<table border="1"> <tr><td>MF</td><td>✓</td></tr> <tr><td>SA</td><td></td></tr> <tr><td>KL</td><td></td></tr> <tr><td>HP</td><td></td></tr> <tr><td>BSC</td><td></td></tr> <tr><td>SMC</td><td></td></tr> <tr><td>PC</td><td></td></tr> <tr><td>W</td><td></td></tr> <tr><td>Z</td><td></td></tr> </table>	MF	✓	SA		KL		HP		BSC		SMC		PC		W		Z	
MF	✓																						
SA																							
KL																							
HP																							
BSC																							
SMC																							
PC																							
W																							
Z																							
	ACET060 No.7 x 1" CSK S/S Self Tapping Screw	100	pack		<table border="1"> <tr><td>MF</td><td></td></tr> <tr><td>SA</td><td></td></tr> <tr><td>KL</td><td></td></tr> <tr><td>HP</td><td></td></tr> <tr><td>BSC</td><td></td></tr> <tr><td>SMC</td><td></td></tr> <tr><td>PC</td><td></td></tr> <tr><td>W</td><td></td></tr> <tr><td>Z</td><td></td></tr> </table>	MF		SA		KL		HP		BSC		SMC		PC		W		Z	
MF																							
SA																							
KL																							
HP																							
BSC																							
SMC																							
PC																							
W																							
Z																							
	ACET062 No. 10 x 50 S/S Self Tapping CSK Screw	100	pack		<table border="1"> <tr><td>MF</td><td></td></tr> <tr><td>SA</td><td></td></tr> <tr><td>KL</td><td></td></tr> <tr><td>HP</td><td></td></tr> <tr><td>BSC</td><td></td></tr> <tr><td>SMC</td><td></td></tr> <tr><td>PC</td><td></td></tr> <tr><td>W</td><td></td></tr> <tr><td>Z</td><td></td></tr> </table>	MF		SA		KL		HP		BSC		SMC		PC		W		Z	
MF																							
SA																							
KL																							
HP																							
BSC																							
SMC																							
PC																							
W																							
Z																							
	ACET064 No. 8 x 16 S/S Self Tapping Flange Screw	100	pack		<table border="1"> <tr><td>MF</td><td></td></tr> <tr><td>SA</td><td></td></tr> <tr><td>KL</td><td></td></tr> <tr><td>HP</td><td></td></tr> <tr><td>BSC</td><td></td></tr> <tr><td>SMC</td><td></td></tr> <tr><td>PC</td><td></td></tr> <tr><td>W</td><td></td></tr> <tr><td>Z</td><td></td></tr> </table>	MF		SA		KL		HP		BSC		SMC		PC		W		Z	
MF																							
SA																							
KL																							
HP																							
BSC																							
SMC																							
PC																							
W																							
Z																							
	ACET066 No. 7 x 38 S/S Self Tapping CSK Screw	100	pack		<table border="1"> <tr><td>MF</td><td></td></tr> <tr><td>SA</td><td></td></tr> <tr><td>KL</td><td></td></tr> <tr><td>HP</td><td></td></tr> <tr><td>BSC</td><td></td></tr> <tr><td>SMC</td><td></td></tr> <tr><td>PC</td><td></td></tr> <tr><td>W</td><td></td></tr> <tr><td>Z</td><td></td></tr> </table>	MF		SA		KL		HP		BSC		SMC		PC		W		Z	
MF																							
SA																							
KL																							
HP																							
BSC																							
SMC																							
PC																							
W																							
Z																							
 <p>T-BARS ACV665=2.5mm ACV666=3.0mm ACVL150=4.0mm</p> <p>Screw (Grub)</p>	MF = Mill Finish SA = Silver Anodised KL = Basic Colour HP = Special Colour BSC = Brushed Satin Chrome SMC = Smokey Chrome PC = Polished Chrome	W = White Z = Black																					

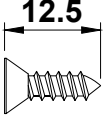
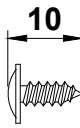
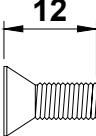
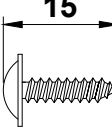
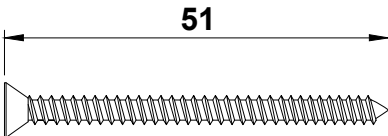


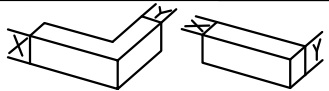
Image	Part Code	Pack	Unit	Application	Colour
	ACET067 No. 7 x 13 S/S Self Tapping CSK Screw	100	pack		MF SA KL HP BSC SMC PC W Z
	ACET068 No. 8 x 10 S/S Self Tapping Flange Screw	100	pack		MF SA KL HP BSC SMC PC W Z
	ACET069 M5 x 12 S/S CSK Machine Screw	100	pack		MF SA KL HP BSC SMC PC W Z
	ACET070 No. 8 x 13 S/S Self Tapping Flange Screw	100	pack		MF SA KL HP BSC SMC PC W Z
	ACET072 No.8 x 2½ inch CSK S/S Self Tapper	100	pack		MF SA KL HP BSC SMC PC W Z
 <p>T-BARS ACVG65=2.5mm ACVG66=3.0mm ACVL150=4.0mm</p>  <p>Screw (Grub)</p>	MF = Mill Finish SA = Silver Anodised KL = Basic Colour HP = Special Colour BSC = Brushed Satin Chrome SMC = Smokey Chrome PC = Polished Chrome	W = White Z = Black			


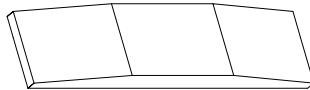
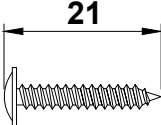
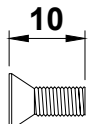
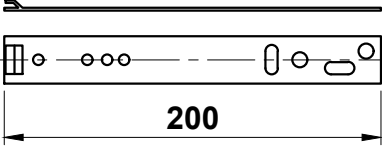

Image	Part Code	Pack	Unit	Application	Colour
	ACET080 Cockspur Handle	1	Each	ACET083	MF
					SA
					KL
					HP
					BSC
					SMC
					PC
					W
					Z
					
SA					
KL					
HP					
BSC					
SMC					
PC					
W					
Z					
	ACET099 No. 8 x 19 S/S Self Tapping Flange Screw	100	pack		
					SA
					KL
					HP
					BSC
					SMC
					PC
					W
					Z
					
SA					
KL					
HP					
BSC					
SMC					
PC					
W					
Z					
	ACET130 Galvanised Steel Fixing Strap 200mm x 25mm x 1.5mm	100	pack	ETC810 ETC811	
					SA
					KL
					HP
					BSC
					SMC
					PC
					W
					Z
					 <small>T-BARS ACVG65=2.5mm ACVG66=3.0mm ACVL150=4.0mm</small>

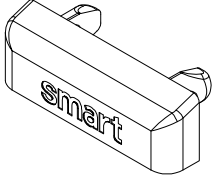
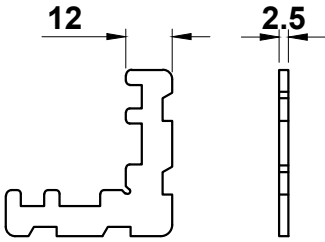
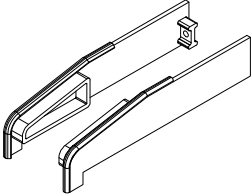
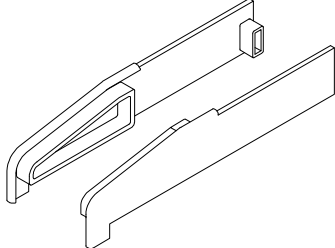



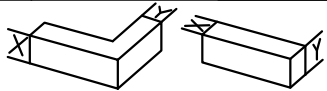
Image	Part Code	Pack	Unit	Application	Colour	
	ACET131 Drainage Cover Cap	100	pack		MF	
					SA	
					KL	
					HP	
					BSC	
					SMC	
					PC	
					W	✓
Z	✓					
	ACET136 Crimping Cleat	24	pack	ETC628	MF	✓
					SA	
					KL	
					HP	
					BSC	
					SMC	
					PC	
					W	
Z						
	ACET152 Cill End Cap	10	Pairs	ETC452	MF	
					SA	
					KL	
					HP	
					BSC	
					SMC	
					PC	
					W	✓
Z	✓					
	ACET157 PVC End Cap	10	Pairs	ETC457	MF	
					SA	
					KL	
					HP	
					BSC	
					SMC	
					PC	
					W	✓
Z	✓					
	ACET165 Espagnolette Handle 9mm Spindle	1	Each	ACET495 ACET801 ACET802 ACET803 ACET804 ACET805	MF	
					SA	✓
					KL	
					HP	
					BSC	
					SMC	
					PC	
					W	✓
Z	✓					
 <small>T-BARS ACVG65=2.5mm ACVG66=3.0mm ACVL150=4.0mm</small>	 <small>Screw (Grub)</small>	MF = Mill Finish SA = Silver Anodised KL = Basic Colour HP = Special Colour BSC = Brushed Satin Chrome SMC = Smokey Chrome PC = Polished Chrome	W = White Z = Black			

Image	Part Code	Pack	Unit	Application	Colour	
	ACET178 Plastic End Caps	10	Pairs	ETC451	MF	
					SA	
					KL	
					HP	
					BSC	
					SMC	
					PC	
					W	✓
					Z	✓
	ACET179 PVC End Cap	10	Pairs	ETC479	MF	
					SA	
					KL	
					HP	
					BSC	
					SMC	
					PC	
					W	✓
					Z	✓
	ACET258 PVC End Cap	10	Pairs	ETC458	MF	
					SA	
					KL	
					HP	
					BSC	
					SMC	
					PC	
					W	✓
					Z	✓
	ACET290 20mm x 4.3mm Polyamide Screw	1000	pack	Keeps	MF	
					SA	
					KL	
					HP	
					BSC	
					SMC	
					PC	
					W	
					Z	
	ACET311 S/S Chevron				MF	✓
					SA	
					KL	
					HP	
					BSC	
					SMC	
					PC	
					W	
					Z	
<p>T-BARS ACVG65=2.5mm ACVG66=3.0mm ACVL150=4.0mm</p> <p>Screw (Grub)</p>	MF = Mill Finish SA = Silver Anodised KL = Basic Colour HP = Special Colour BSC = Brushed Satin Chrome SMC = Smokey Chrome PC = Polished Chrome	W = White Z = Black				

Image	Part Code	Pack	Unit	Application	Colour																		
	ACET311 S/S Chevron	50	pack		<table border="1"> <tr><td>MF</td><td>✓</td></tr> <tr><td>SA</td><td></td></tr> <tr><td>KL</td><td></td></tr> <tr><td>HP</td><td></td></tr> <tr><td>BSC</td><td></td></tr> <tr><td>SMC</td><td></td></tr> <tr><td>PC</td><td></td></tr> <tr><td>W</td><td></td></tr> <tr><td>Z</td><td></td></tr> </table>	MF	✓	SA		KL		HP		BSC		SMC		PC		W		Z	
MF	✓																						
SA																							
KL																							
HP																							
BSC																							
SMC																							
PC																							
W																							
Z																							
	ACET324 Crimping Cleat (inner chamber)	24	pack	ETC811 ETC821	<table border="1"> <tr><td>MF</td><td>✓</td></tr> <tr><td>SA</td><td></td></tr> <tr><td>KL</td><td></td></tr> <tr><td>HP</td><td></td></tr> <tr><td>BSC</td><td></td></tr> <tr><td>SMC</td><td></td></tr> <tr><td>PC</td><td></td></tr> <tr><td>W</td><td></td></tr> <tr><td>Z</td><td></td></tr> </table>	MF	✓	SA		KL		HP		BSC		SMC		PC		W		Z	
MF	✓																						
SA																							
KL																							
HP																							
BSC																							
SMC																							
PC																							
W																							
Z																							
	ACET326 Crimping Cleat	24	pack	ETC511	<table border="1"> <tr><td>MF</td><td>✓</td></tr> <tr><td>SA</td><td></td></tr> <tr><td>KL</td><td></td></tr> <tr><td>HP</td><td></td></tr> <tr><td>BSC</td><td></td></tr> <tr><td>SMC</td><td></td></tr> <tr><td>PC</td><td></td></tr> <tr><td>W</td><td></td></tr> <tr><td>Z</td><td></td></tr> </table>	MF	✓	SA		KL		HP		BSC		SMC		PC		W		Z	
MF	✓																						
SA																							
KL																							
HP																							
BSC																							
SMC																							
PC																							
W																							
Z																							
	ACET352 Pull-in Blocks	50	pack	Friction Hinges	<table border="1"> <tr><td>MF</td><td>✓</td></tr> <tr><td>SA</td><td></td></tr> <tr><td>KL</td><td></td></tr> <tr><td>HP</td><td></td></tr> <tr><td>BSC</td><td></td></tr> <tr><td>SMC</td><td></td></tr> <tr><td>PC</td><td></td></tr> <tr><td>W</td><td></td></tr> <tr><td>Z</td><td></td></tr> </table>	MF	✓	SA		KL		HP		BSC		SMC		PC		W		Z	
MF	✓																						
SA																							
KL																							
HP																							
BSC																							
SMC																							
PC																							
W																							
Z																							
	ACET431 Drainage Cover Cap	8	pack		<table border="1"> <tr><td>MF</td><td></td></tr> <tr><td>SA</td><td></td></tr> <tr><td>KL</td><td>✓</td></tr> <tr><td>HP</td><td>✓</td></tr> <tr><td>BSC</td><td></td></tr> <tr><td>SMC</td><td></td></tr> <tr><td>PC</td><td></td></tr> <tr><td>W</td><td></td></tr> <tr><td>Z</td><td></td></tr> </table>	MF		SA		KL	✓	HP	✓	BSC		SMC		PC		W		Z	
MF																							
SA																							
KL	✓																						
HP	✓																						
BSC																							
SMC																							
PC																							
W																							
Z																							
<p>T-BARS ACVG66=2.5mm ACVG66=3.0mm ACVL150=4.0mm</p> <p>Screw (Grub)</p> <p>MF = Mill Finish SA = Silver Anodised KL = Basic Colour HP = Special Colour BSC = Brushed Satin Chrome SMC = Smokey Chrome PC = Polished Chrome</p> <p>W = White Z = Black</p>																							

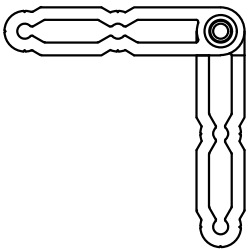
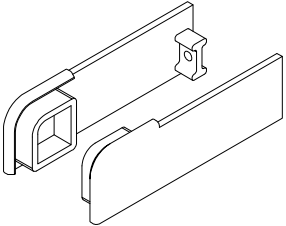
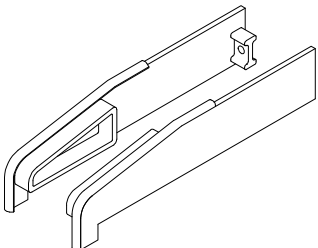
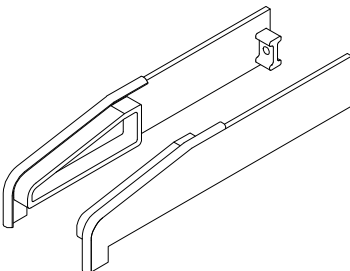
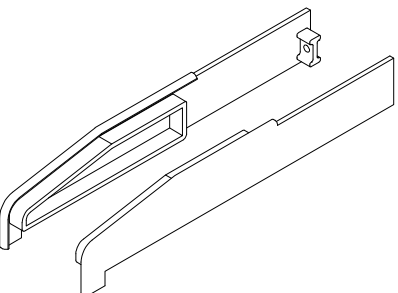


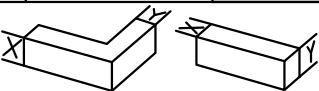
Image	Part Code	Pack	Unit	Application	Colour
	ACET440 Variable Cill Angle Bracket	10	Each		MF SA KL HP BSC SMC PC W Z
	ACET451 Cast Cill End Caps	1	Pair	ETC451	MF ✓ SA KL ✓ HP ✓ BSC SMC PC W Z
	ACET452 Cast Cill End Caps	1	Pair	ETC452	MF ✓ SA KL ✓ HP ✓ BSC SMC PC W Z
	ACET457 Cast Cill End Caps	1	Pair	ETC457	MF ✓ SA KL ✓ HP ✓ BSC SMC PC W Z
	ACET458 Cast Cill End Caps	1	Pair	ETC458	MF ✓ SA KL ✓ HP ✓ BSC SMC PC W Z
 <p>T-BARS ACVG85=2.5mm ACVG66=3.0mm ACVL150=4.0mm</p>  <p>Screw (Grub)</p>	<p>MF = Mill Finish SA = Silver Anodised KL = Basic Colour HP = Special Colour BSC = Brushed Satin Chrome SMC = Smokey Chrome PC = Polished Chrome</p>	<p>W = White Z = Black</p>			





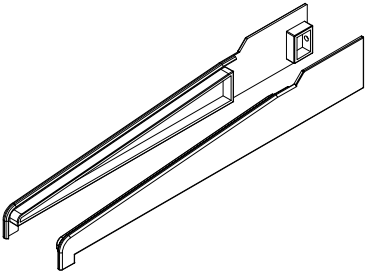

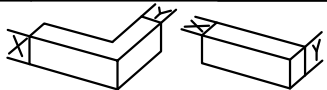
Image	Part Code	Pack	Unit	Application	Colour	
	ACET460 Inline Espag Handle with 9mm Spindle	1	Each	ACET495 ACET801 ACET802 ACET803 ACET804 ACET805	MF	
					SA	
					KL	✓
					HP	✓
					BSC	✓
					SMC	✓
					PC	✓
					W	✓
					Z	✓
	ACET461 Inline Espag Handle with 15mm Spindle	1	Each	ACET861 ACET862 ACET863 ACET864 ACET865 ACET866	MF	
					SA	
					KL	✓
					HP	✓
					BSC	✓
					SMC	✓
					PC	✓
					W	✓
					Z	✓
	ACET465 L/R Cranked Espag Handle with 9mm Spindle	1	Each	ACET495 ACET801 ACET802 ACET803 ACET804 ACET805	MF	
					SA	
					KL	✓
					HP	✓
					BSC	✓
					SMC	✓
					PC	✓
					W	✓
					Z	✓
	ACET466 L/R Cranked Espag Handle with 15mm Spindle	1	Each	ACET861 ACET862 ACET863 ACET864 ACET865 ACET866	MF	
					SA	
					KL	✓
					HP	✓
					BSC	✓
					SMC	✓
					PC	✓
					W	✓
					Z	✓
	ACET477 Cast Cill End Caps	1	Pair	ETC477	MF	✓
					SA	
					KL	✓
					HP	✓
					BSC	
					SMC	
					PC	
					W	
Z						
	T-BARS ACV665=2.5mm ACV666=3.0mm ACVL150=4.0mm	Screw (Grub)	MF = Mill Finish SA = Silver Anodised KL = Basic Colour HP = Special Colour BSC = Brushed Satin Chrome SMC = Smokey Chrome PC = Polished Chrome	W = White Z = Black		

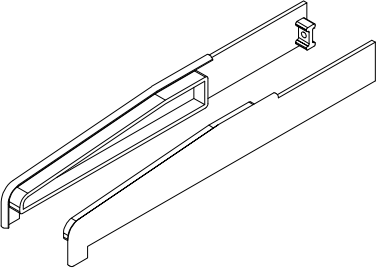
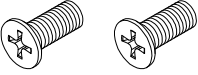
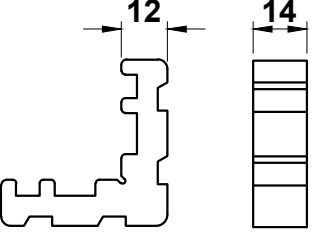
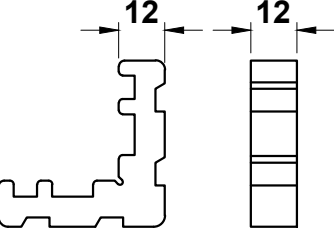
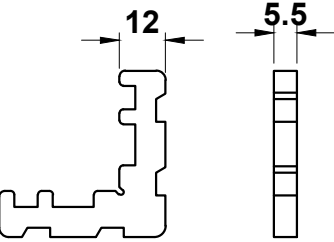

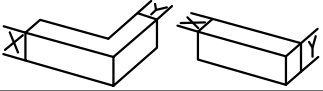
Image	Part Code	Pack	Unit	Application	Colour	
	ACET479 Cast Cill End Caps	1	Pair	ETC479	MF	✓
					SA	
					KL	✓
					HP	✓
					BSC	
					SMC	
					PC	
					W	
Z						
	ACET495 2No. M5 x 12 S/S CSK Screws	1	pack	ACET460 ACET465	MF	
					SA	
					KL	
					HP	
					BSC	
					SMC	
					PC	
					W	
Z						
	ACET810 Crimping Cleat (inner chamber)	24	pack	ETC810 ETC815	MF	✓
					SA	
					KL	
					HP	
					BSC	
					SMC	
					PC	
					W	
Z						
	ACET811 Crimping Cleat (outer chamber)	24	pack	ETC810 ETC811 ETC814 ETC815 ETC821	MF	✓
					SA	
					KL	
					HP	
					BSC	
					SMC	
					PC	
					W	
Z						
	ACET813 Crimping Cleat (inner chamber)	24	pack	ETC811 ETC821	MF	✓
					SA	
					KL	
					HP	
					BSC	
					SMC	
					PC	
					W	
Z						
 <p>T-BARS ACV108=2.5mm ACV106=3.0mm ACV150=4.0mm</p> <p>Screw (Grub)</p>	MF = Mill Finish SA = Silver Anodised KL = Basic Colour HP = Special Colour BSC = Brushed Satin Chrome SMC = Smokey Chrome PC = Polished Chrome	W = White Z = Black				

Image	Part Code	Pack	Unit	Application	Colour																		
	ACET814 Crimping Cleat	24	pack	ETC819	<table border="1"> <tr><td>MF</td><td>✓</td></tr> <tr><td>SA</td><td></td></tr> <tr><td>KL</td><td></td></tr> <tr><td>HP</td><td></td></tr> <tr><td>BSC</td><td></td></tr> <tr><td>SMC</td><td></td></tr> <tr><td>PC</td><td></td></tr> <tr><td>W</td><td></td></tr> <tr><td>Z</td><td></td></tr> </table>	MF	✓	SA		KL		HP		BSC		SMC		PC		W		Z	
MF	✓																						
SA																							
KL																							
HP																							
BSC																							
SMC																							
PC																							
W																							
Z																							
	ACET815 Crimping Cleat	24	pack	ETC819	<table border="1"> <tr><td>MF</td><td>✓</td></tr> <tr><td>SA</td><td></td></tr> <tr><td>KL</td><td></td></tr> <tr><td>HP</td><td></td></tr> <tr><td>BSC</td><td></td></tr> <tr><td>SMC</td><td></td></tr> <tr><td>PC</td><td></td></tr> <tr><td>W</td><td></td></tr> <tr><td>Z</td><td></td></tr> </table>	MF	✓	SA		KL		HP		BSC		SMC		PC		W		Z	
MF	✓																						
SA																							
KL																							
HP																							
BSC																							
SMC																							
PC																							
W																							
Z																							
	ACET816 Cleat	24	pack	ETC812 ETC813 ETC816 ETC817	<table border="1"> <tr><td>MF</td><td></td></tr> <tr><td>SA</td><td></td></tr> <tr><td>KL</td><td></td></tr> <tr><td>HP</td><td></td></tr> <tr><td>BSC</td><td></td></tr> <tr><td>SMC</td><td></td></tr> <tr><td>PC</td><td></td></tr> <tr><td>W</td><td></td></tr> <tr><td>Z</td><td></td></tr> </table>	MF		SA		KL		HP		BSC		SMC		PC		W		Z	
MF																							
SA																							
KL																							
HP																							
BSC																							
SMC																							
PC																							
W																							
Z																							
	ACET817 Cleat	24	pack	ETC823	<table border="1"> <tr><td>MF</td><td>✓</td></tr> <tr><td>SA</td><td></td></tr> <tr><td>KL</td><td></td></tr> <tr><td>HP</td><td></td></tr> <tr><td>BSC</td><td></td></tr> <tr><td>SMC</td><td></td></tr> <tr><td>PC</td><td></td></tr> <tr><td>W</td><td></td></tr> <tr><td>Z</td><td></td></tr> </table>	MF	✓	SA		KL		HP		BSC		SMC		PC		W		Z	
MF	✓																						
SA																							
KL																							
HP																							
BSC																							
SMC																							
PC																							
W																							
Z																							
	ACET818 Cleat	24	pack	ETC826 ETC827 ETC828	<table border="1"> <tr><td>MF</td><td>✓</td></tr> <tr><td>SA</td><td></td></tr> <tr><td>KL</td><td></td></tr> <tr><td>HP</td><td></td></tr> <tr><td>BSC</td><td></td></tr> <tr><td>SMC</td><td></td></tr> <tr><td>PC</td><td></td></tr> <tr><td>W</td><td></td></tr> <tr><td>Z</td><td></td></tr> </table>	MF	✓	SA		KL		HP		BSC		SMC		PC		W		Z	
MF	✓																						
SA																							
KL																							
HP																							
BSC																							
SMC																							
PC																							
W																							
Z																							
<p>T-BARS ACVG65=2.5mm ACVG66=3.0mm ACVL150=4.0mm</p> <p>Screw (Grub)</p>	MF = Mill Finish SA = Silver Anodised KL = Basic Colour HP = Special Colour BSC = Brushed Satin Chrome SMC = Smokey Chrome PC = Polished Chrome	W = White Z = Black																					

Image	Part Code	Pack	Unit	Application	Colour
	ACET819 Cleat	24	pack	ETC812 ETC813 ETC816 ETC817	MF SA KL HP BSC SMC PC W Z
	ACET820 Crimping Cleat (inner chamber)	24	pack	ETC8201 ETC823 ETC824 ETC826 ETC827 ETC828	MF ✓ SA KL HP BSC SMC PC W Z
	ACET821 Crimping Cleat (outer chamber)	24	pack	ETC8201	MF ✓ SA KL HP BSC SMC PC W Z
	ACET823 Stainless steel chevron	50	pack	ETC829	MF ✓ SA KL HP BSC SMC PC W Z
	ACET824 Stainless Steel Chevron	50	pack	ETC8201 ETC821 ETC824	MF ✓ SA KL HP BSC SMC PC W Z
<p>T-BARS ACVG65=2.5mm ACVG66=3.0mm ACVL150=4.0mm</p> <p>Screw (Grub)</p>	MF = Mill Finish SA = Silver Anodised KL = Basic Colour HP = Special Colour BSC = Brushed Satin Chrome SMC = Smokey Chrome PC = Polished Chrome	W = White Z = Black			

Image	Part Code	Pack	Unit	Application	Colour																		
	ACET825 Crimping Cleat (outer chamber)	24	pack	ETC822	<table border="1"> <tr><td>MF</td><td>✓</td></tr> <tr><td>SA</td><td></td></tr> <tr><td>KL</td><td></td></tr> <tr><td>HP</td><td></td></tr> <tr><td>BSC</td><td></td></tr> <tr><td>SMC</td><td></td></tr> <tr><td>PC</td><td></td></tr> <tr><td>W</td><td></td></tr> <tr><td>Z</td><td></td></tr> </table>	MF	✓	SA		KL		HP		BSC		SMC		PC		W		Z	
MF	✓																						
SA																							
KL																							
HP																							
BSC																							
SMC																							
PC																							
W																							
Z																							
	ACET826 Crimping Cleat (outer chamber)	24	pack	ETC824	<table border="1"> <tr><td>MF</td><td>✓</td></tr> <tr><td>SA</td><td></td></tr> <tr><td>KL</td><td></td></tr> <tr><td>HP</td><td></td></tr> <tr><td>BSC</td><td></td></tr> <tr><td>SMC</td><td></td></tr> <tr><td>PC</td><td></td></tr> <tr><td>W</td><td></td></tr> <tr><td>Z</td><td></td></tr> </table>	MF	✓	SA		KL		HP		BSC		SMC		PC		W		Z	
MF	✓																						
SA																							
KL																							
HP																							
BSC																							
SMC																							
PC																							
W																							
Z																							
	ACET828 Cleat	24	pack	ETC825	<table border="1"> <tr><td>MF</td><td>✓</td></tr> <tr><td>SA</td><td></td></tr> <tr><td>KL</td><td></td></tr> <tr><td>HP</td><td></td></tr> <tr><td>BSC</td><td></td></tr> <tr><td>SMC</td><td></td></tr> <tr><td>PC</td><td></td></tr> <tr><td>W</td><td></td></tr> <tr><td>Z</td><td></td></tr> </table>	MF	✓	SA		KL		HP		BSC		SMC		PC		W		Z	
MF	✓																						
SA																							
KL																							
HP																							
BSC																							
SMC																							
PC																							
W																							
Z																							
	ACET829 Cleat	24	pack	ETC825	<table border="1"> <tr><td>MF</td><td>✓</td></tr> <tr><td>SA</td><td></td></tr> <tr><td>KL</td><td></td></tr> <tr><td>HP</td><td></td></tr> <tr><td>BSC</td><td></td></tr> <tr><td>SMC</td><td></td></tr> <tr><td>PC</td><td></td></tr> <tr><td>W</td><td></td></tr> <tr><td>Z</td><td></td></tr> </table>	MF	✓	SA		KL		HP		BSC		SMC		PC		W		Z	
MF	✓																						
SA																							
KL																							
HP																							
BSC																							
SMC																							
PC																							
W																							
Z																							
	ACET830 Cruciform Bracket	10	pack	ETC830 ETC831	<table border="1"> <tr><td>MF</td><td>✓</td></tr> <tr><td>SA</td><td></td></tr> <tr><td>KL</td><td></td></tr> <tr><td>HP</td><td></td></tr> <tr><td>BSC</td><td></td></tr> <tr><td>SMC</td><td></td></tr> <tr><td>PC</td><td></td></tr> <tr><td>W</td><td></td></tr> <tr><td>Z</td><td></td></tr> </table>	MF	✓	SA		KL		HP		BSC		SMC		PC		W		Z	
MF	✓																						
SA																							
KL																							
HP																							
BSC																							
SMC																							
PC																							
W																							
Z																							
<p>T-BARS ACVG85=2.5mm ACVG66=3.0mm ACVL150=4.0mm</p> <p>Screw (Grub)</p>	MF = Mill Finish SA = Silver Anodised KL = Basic Colour HP = Special Colour BSC = Brushed Satin Chrome SMC = Smokey Chrome PC = Polished Chrome	W = White Z = Black																					

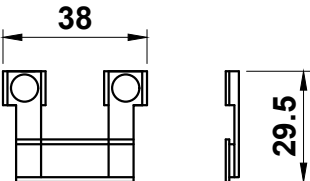
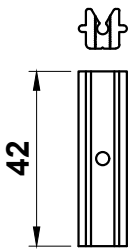
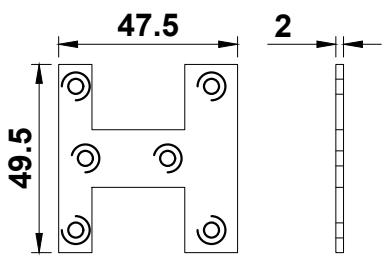
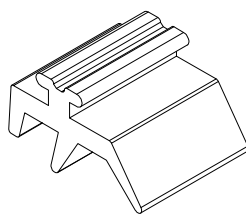
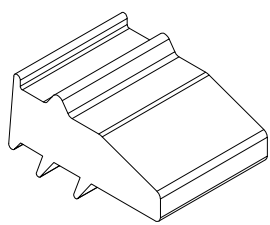

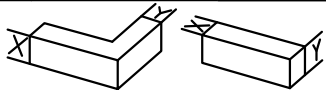
Image	Part Code	Pack	Unit	Application	Colour	
	ACET831 Anti-Twist Bracket	10	pack	ETC830	MF	✓
					SA	
					KL	
					HP	
					BSC	
					SMC	
					PC	
					W	
					Z	
	ACET832 Transom bracket	10	pack	ETC830 ETC831	MF	✓
					SA	
					KL	
					HP	
					BSC	
					SMC	
					PC	
					W	
					Z	
	ACET833 Cruciform Fixing Bracket	10	pack	ETC830 ETC831	MF	✓
					SA	
					KL	
					HP	
					BSC	
					SMC	
					PC	
					W	
					Z	
	ACET835 4mm External Captive Gasket	200	m	ETC861 ETC862 ETC863 ETC864	MF	
					SA	
					KL	
					HP	
					BSC	
					SMC	
					PC	
					W	
					Z	✓
	ACET840 5mm Low Line Wedge	150	m		MF	
					SA	
					KL	
					HP	
					BSC	
					SMC	
					PC	
					W	
					Z	✓
 <p>T-BARS ACVG65=2.5mm ACVG66=3.0mm ACVL150=4.0mm</p> <p>Screw (Grub)</p>	MF = Mill Finish SA = Silver Anodised KL = Basic Colour HP = Special Colour BSC = Brushed Satin Chrome SMC = Smokey Chrome PC = Polished Chrome	W = White Z = Black				

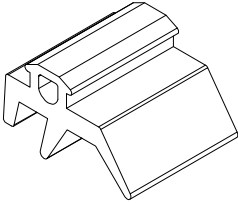
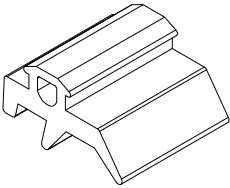
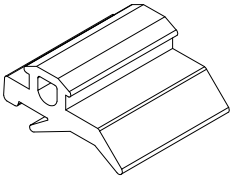
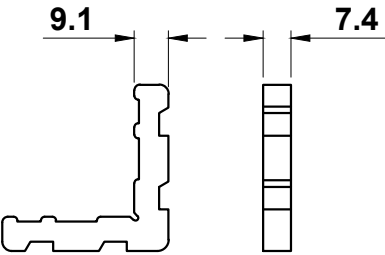
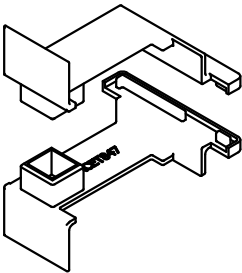


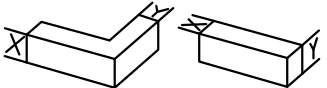
Image	Part Code	Pack	Unit	Application	Colour																		
	ACET841 4mm Low Line External Gasket	200	m		<table border="1"> <tr><td>MF</td><td></td></tr> <tr><td>SA</td><td></td></tr> <tr><td>KL</td><td></td></tr> <tr><td>HP</td><td></td></tr> <tr><td>BSC</td><td></td></tr> <tr><td>SMC</td><td></td></tr> <tr><td>PC</td><td></td></tr> <tr><td>W</td><td></td></tr> <tr><td>Z</td><td>✓</td></tr> </table>	MF		SA		KL		HP		BSC		SMC		PC		W		Z	✓
MF																							
SA																							
KL																							
HP																							
BSC																							
SMC																							
PC																							
W																							
Z	✓																						
	ACET842 3mm Low Line External Gasket	200	m		<table border="1"> <tr><td>MF</td><td></td></tr> <tr><td>SA</td><td></td></tr> <tr><td>KL</td><td></td></tr> <tr><td>HP</td><td></td></tr> <tr><td>BSC</td><td></td></tr> <tr><td>SMC</td><td></td></tr> <tr><td>PC</td><td></td></tr> <tr><td>W</td><td></td></tr> <tr><td>Z</td><td>✓</td></tr> </table>	MF		SA		KL		HP		BSC		SMC		PC		W		Z	✓
MF																							
SA																							
KL																							
HP																							
BSC																							
SMC																							
PC																							
W																							
Z	✓																						
	ACET843 2mm Low Line External Gasket	200	m		<table border="1"> <tr><td>MF</td><td></td></tr> <tr><td>SA</td><td></td></tr> <tr><td>KL</td><td></td></tr> <tr><td>HP</td><td></td></tr> <tr><td>BSC</td><td></td></tr> <tr><td>SMC</td><td></td></tr> <tr><td>PC</td><td></td></tr> <tr><td>W</td><td></td></tr> <tr><td>Z</td><td>✓</td></tr> </table>	MF		SA		KL		HP		BSC		SMC		PC		W		Z	✓
MF																							
SA																							
KL																							
HP																							
BSC																							
SMC																							
PC																							
W																							
Z	✓																						
	ACET846 Crimping Cleat (outer chamber)	24	pack	ETC846	<table border="1"> <tr><td>MF</td><td>✓</td></tr> <tr><td>SA</td><td></td></tr> <tr><td>KL</td><td></td></tr> <tr><td>HP</td><td></td></tr> <tr><td>BSC</td><td></td></tr> <tr><td>SMC</td><td></td></tr> <tr><td>PC</td><td></td></tr> <tr><td>W</td><td></td></tr> <tr><td>Z</td><td></td></tr> </table>	MF	✓	SA		KL		HP		BSC		SMC		PC		W		Z	
MF	✓																						
SA																							
KL																							
HP																							
BSC																							
SMC																							
PC																							
W																							
Z																							
	ACET847 ETC845 End Cap	10	Pairs	ETC847	<table border="1"> <tr><td>MF</td><td></td></tr> <tr><td>SA</td><td></td></tr> <tr><td>KL</td><td></td></tr> <tr><td>HP</td><td></td></tr> <tr><td>BSC</td><td></td></tr> <tr><td>SMC</td><td></td></tr> <tr><td>PC</td><td></td></tr> <tr><td>W</td><td>✓</td></tr> <tr><td>Z</td><td>✓</td></tr> </table>	MF		SA		KL		HP		BSC		SMC		PC		W	✓	Z	✓
MF																							
SA																							
KL																							
HP																							
BSC																							
SMC																							
PC																							
W	✓																						
Z	✓																						
 <p>T-BARS ACVG69=2.5mm ACVG69=3.0mm ACVL150=4.0mm</p>  <p>Screw (Grub)</p>	<p>MF = Mill Finish SA = Silver Anodised KL = Basic Colour HP = Special Colour BSC = Brushed Satin Chrome SMC = Smokey Chrome PC = Polished Chrome</p> <p>W = White Z = Black</p>																						

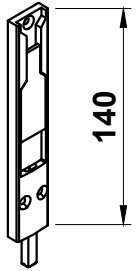
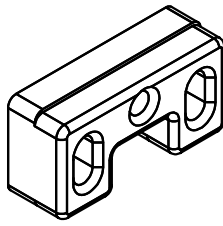
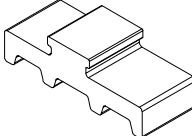
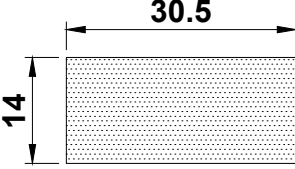
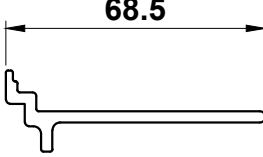

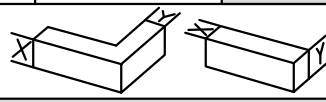
Image	Part Code	Pack	Unit	Application	Colour
	ACET853 Shotbolt	1	Each	ACET854	MF SA KL HP BSC SMC PC W Z <input checked="" type="checkbox"/>
	ACET854 Keep	1	Each	ACET853	MF <input checked="" type="checkbox"/> SA KL HP BSC SMC PC W Z
	ACET855 Insulation	100	m		MF SA KL HP BSC SMC PC W Z
	ACET856 Foam Infill 1250mm Lengths	1	Each	ETC812 ETC813 ETC816	MF <input checked="" type="checkbox"/> SA KL HP BSC SMC PC W Z
	ACET857 Bridge Packer	10	pack		MF SA KL HP BSC SMC PC W Z
	MF = Mill Finish SA = Silver Anodised KL = Basic Colour HP = Special Colour BSC = Brushed Satin Chrome SMC = Smokey Chrome PC = Polished Chrome	W = White Z = Black			

Image	Part Code	Pack	Unit	Application	Colour																		
	ACET858 Foam Insert 1250mm Lengths	1	Each	ETC819 ETC839	<table border="1"> <tr><td>MF</td><td>✓</td></tr> <tr><td>SA</td><td></td></tr> <tr><td>KL</td><td></td></tr> <tr><td>HP</td><td></td></tr> <tr><td>BSC</td><td></td></tr> <tr><td>SMC</td><td></td></tr> <tr><td>PC</td><td></td></tr> <tr><td>W</td><td></td></tr> <tr><td>Z</td><td></td></tr> </table>	MF	✓	SA		KL		HP		BSC		SMC		PC		W		Z	
MF	✓																						
SA																							
KL																							
HP																							
BSC																							
SMC																							
PC																							
W																							
Z																							
	ACET868 15mm Spindle Handle	25 1	pack Each	ACET861 ACET862 ACET863 ACET864 ACET865 ACET866	<table border="1"> <tr><td>MF</td><td></td></tr> <tr><td>SA</td><td>✓</td></tr> <tr><td>KL</td><td></td></tr> <tr><td>HP</td><td></td></tr> <tr><td>BSC</td><td></td></tr> <tr><td>SMC</td><td></td></tr> <tr><td>PC</td><td></td></tr> <tr><td>W</td><td>✓</td></tr> <tr><td>Z</td><td>✓</td></tr> </table>	MF		SA	✓	KL		HP		BSC		SMC		PC		W	✓	Z	✓
MF																							
SA	✓																						
KL																							
HP																							
BSC																							
SMC																							
PC																							
W	✓																						
Z	✓																						
	ACET869 5mm Cockspur Handle Wedge White or Black	100	pack	WCA093	<table border="1"> <tr><td>MF</td><td></td></tr> <tr><td>SA</td><td></td></tr> <tr><td>KL</td><td></td></tr> <tr><td>HP</td><td></td></tr> <tr><td>BSC</td><td></td></tr> <tr><td>SMC</td><td></td></tr> <tr><td>PC</td><td></td></tr> <tr><td>W</td><td>✓</td></tr> <tr><td>Z</td><td>✓</td></tr> </table>	MF		SA		KL		HP		BSC		SMC		PC		W	✓	Z	✓
MF																							
SA																							
KL																							
HP																							
BSC																							
SMC																							
PC																							
W	✓																						
Z	✓																						
	ACET871 Crimping Cleat	24	pack	ETC8250	<table border="1"> <tr><td>MF</td><td>✓</td></tr> <tr><td>SA</td><td></td></tr> <tr><td>KL</td><td></td></tr> <tr><td>HP</td><td></td></tr> <tr><td>BSC</td><td></td></tr> <tr><td>SMC</td><td></td></tr> <tr><td>PC</td><td></td></tr> <tr><td>W</td><td></td></tr> <tr><td>Z</td><td></td></tr> </table>	MF	✓	SA		KL		HP		BSC		SMC		PC		W		Z	
MF	✓																						
SA																							
KL																							
HP																							
BSC																							
SMC																							
PC																							
W																							
Z																							
	ACET872 Crimping Cleat	24	pack	ETC8250	<table border="1"> <tr><td>MF</td><td>✓</td></tr> <tr><td>SA</td><td></td></tr> <tr><td>KL</td><td></td></tr> <tr><td>HP</td><td></td></tr> <tr><td>BSC</td><td></td></tr> <tr><td>SMC</td><td></td></tr> <tr><td>PC</td><td></td></tr> <tr><td>W</td><td></td></tr> <tr><td>Z</td><td></td></tr> </table>	MF	✓	SA		KL		HP		BSC		SMC		PC		W		Z	
MF	✓																						
SA																							
KL																							
HP																							
BSC																							
SMC																							
PC																							
W																							
Z																							
<p>T-BARS ACVG65=2.5mm ACVG66=3.0mm ACVL150=4.0mm</p> <p>Screw (Grub)</p>	MF = Mill Finish SA = Silver Anodised KL = Basic Colour HP = Special Colour BSC = Brushed Satin Chrome SMC = Smokey Chrome PC = Polished Chrome	W = White Z = Black																					

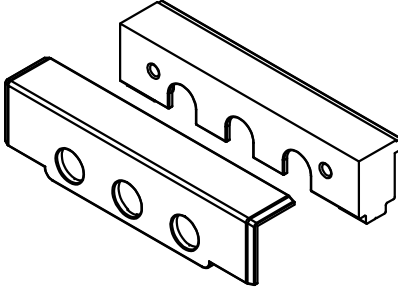
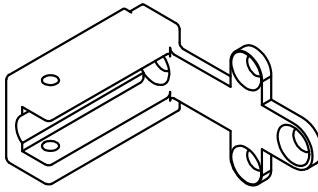
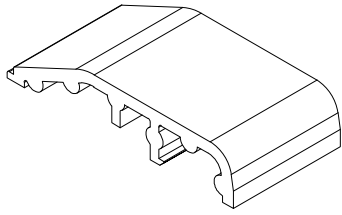




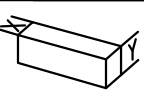
Image	Part Code	Pack	Unit	Application	Colour
	ACET874 Handle Fixing Block & Cover	1	Each	ETC8250 ETC882	MF <input checked="" type="checkbox"/>
					SA <input type="checkbox"/>
					KL <input type="checkbox"/>
					HP <input type="checkbox"/>
					BSC <input type="checkbox"/>
					SMC <input type="checkbox"/>
					PC <input type="checkbox"/>
					W <input type="checkbox"/>
					Z <input type="checkbox"/>
	ACET875 Cruciform Fixing Block	10	pack	ETC839	MF <input checked="" type="checkbox"/>
					SA <input type="checkbox"/>
					KL <input type="checkbox"/>
					HP <input type="checkbox"/>
					BSC <input type="checkbox"/>
					SMC <input type="checkbox"/>
					PC <input type="checkbox"/>
					W <input type="checkbox"/>
					Z <input type="checkbox"/>
	ACET880 Run Up Block	100	pack		MF <input type="checkbox"/>
					SA <input type="checkbox"/>
					KL <input type="checkbox"/>
					HP <input type="checkbox"/>
					BSC <input type="checkbox"/>
					SMC <input type="checkbox"/>
					PC <input type="checkbox"/>
					W <input checked="" type="checkbox"/>
					Z <input checked="" type="checkbox"/>
	ACET885 Vee Block	1	Each	ETC8250	MF <input checked="" type="checkbox"/>
					SA <input type="checkbox"/>
					KL <input type="checkbox"/>
					HP <input type="checkbox"/>
					BSC <input type="checkbox"/>
					SMC <input type="checkbox"/>
					PC <input type="checkbox"/>
					W <input type="checkbox"/>
					Z <input type="checkbox"/>
	ACET886 Punch	1	Pairs	ETC5250	MF <input checked="" type="checkbox"/>
					SA <input type="checkbox"/>
					KL <input type="checkbox"/>
					HP <input type="checkbox"/>
					BSC <input type="checkbox"/>
					SMC <input type="checkbox"/>
					PC <input type="checkbox"/>
					W <input type="checkbox"/>
					Z <input type="checkbox"/>
 <small>T-BARS ACVG65=2.5mm ACVG66=3.0mm ACVL150=4.0mm</small>	MF = Mill Finish SA = Silver Anodised KL = Basic Colour HP = Special Colour BSC = Brushed Satin Chrome SMC = Smokey Chrome PC = Polished Chrome	W = White Z = Black	 		



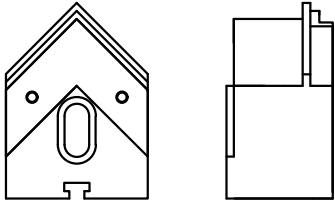
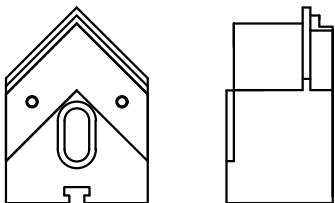
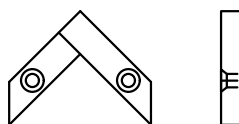


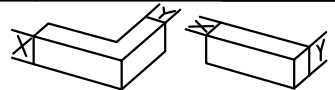
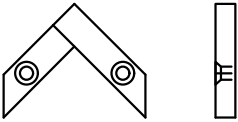
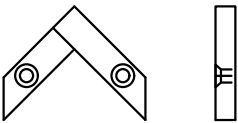
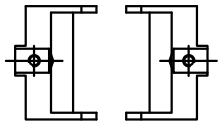
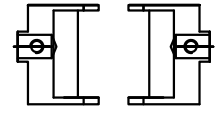
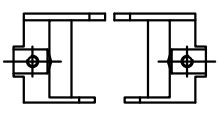

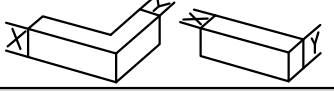
Image	Part Code	Pack	Unit	Application	Colour
	ACET887 Vee Block	1	Each	ETC817	MF <input checked="" type="checkbox"/>
					SA <input type="checkbox"/>
					KL <input type="checkbox"/>
					HP <input type="checkbox"/>
					BSC <input type="checkbox"/>
					SMC <input type="checkbox"/>
					PC <input type="checkbox"/>
					W <input type="checkbox"/>
					Z <input type="checkbox"/>
	ACET888 Crimping Punches	1	Pair	ETC817	MF <input type="checkbox"/>
					SA <input type="checkbox"/>
					KL <input type="checkbox"/>
					HP <input type="checkbox"/>
					BSC <input type="checkbox"/>
					SMC <input type="checkbox"/>
					PC <input type="checkbox"/>
					W <input type="checkbox"/>
					Z <input type="checkbox"/>
	ACET889 Vee Block	1	Each	ETC812 ETC813 ETC816	MF <input checked="" type="checkbox"/>
					SA <input type="checkbox"/>
					KL <input type="checkbox"/>
					HP <input type="checkbox"/>
					BSC <input type="checkbox"/>
					SMC <input type="checkbox"/>
					PC <input type="checkbox"/>
					W <input type="checkbox"/>
					Z <input type="checkbox"/>
	ACET892 Vee Block	1	Each	ETC8201 ETC825	MF <input checked="" type="checkbox"/>
					SA <input type="checkbox"/>
					KL <input type="checkbox"/>
					HP <input type="checkbox"/>
					BSC <input type="checkbox"/>
					SMC <input type="checkbox"/>
					PC <input type="checkbox"/>
					W <input type="checkbox"/>
					Z <input type="checkbox"/>
	ACET893 Tufnel Packer for use with vee blocks ACET889, ACET892, ACET993	1	Each	ETC811 ETC813 ETC816	MF <input checked="" type="checkbox"/>
					SA <input type="checkbox"/>
					KL <input type="checkbox"/>
					HP <input type="checkbox"/>
					BSC <input type="checkbox"/>
					SMC <input type="checkbox"/>
					PC <input type="checkbox"/>
					W <input type="checkbox"/>
					Z <input type="checkbox"/>
 <small>T-BARS ACVG65=2.5mm ACVG66=3.0mm ACVL150=4.0mm</small>  <small>Screw (Grub)</small>	MF = Mill Finish SA = Silver Anodised KL = Basic Colour HP = Special Colour BSC = Brushed Satin Chrome SMC = Smokey Chrome PC = Polished Chrome	W = White Z = Black			

Image	Part Code	Pack	Unit	Application	Colour
	ACET894 Tufnel Packer for use with vee block ACET967N	1	Each	ETC823 ETC824 ETC829	MF <input checked="" type="checkbox"/> SA <input type="checkbox"/> KL <input type="checkbox"/> HP <input type="checkbox"/> BSC <input type="checkbox"/> SMC <input type="checkbox"/> PC <input type="checkbox"/> W <input type="checkbox"/> Z <input type="checkbox"/>
	ACET896 Tufnel Packer	1	Each	ETC825	MF <input checked="" type="checkbox"/> SA <input type="checkbox"/> KL <input type="checkbox"/> HP <input type="checkbox"/> BSC <input type="checkbox"/> SMC <input type="checkbox"/> PC <input type="checkbox"/> W <input type="checkbox"/> Z <input type="checkbox"/>
	ACET897 Crimping Punches	1	Pair	ETC813 ETC814 ETC815 ETC816	MF <input checked="" type="checkbox"/> SA <input type="checkbox"/> KL <input type="checkbox"/> HP <input type="checkbox"/> BSC <input type="checkbox"/> SMC <input type="checkbox"/> PC <input type="checkbox"/> W <input type="checkbox"/> Z <input type="checkbox"/>
	ACET898 Crimping Punches	1	Pair	ETC811 ETC812	MF <input checked="" type="checkbox"/> SA <input type="checkbox"/> KL <input type="checkbox"/> HP <input type="checkbox"/> BSC <input type="checkbox"/> SMC <input type="checkbox"/> PC <input type="checkbox"/> W <input type="checkbox"/> Z <input type="checkbox"/>
	ACET899 Crimping Punches	1	Pair	ETC825	MF <input checked="" type="checkbox"/> SA <input type="checkbox"/> KL <input type="checkbox"/> HP <input type="checkbox"/> BSC <input type="checkbox"/> SMC <input type="checkbox"/> PC <input type="checkbox"/> W <input type="checkbox"/> Z <input type="checkbox"/>
	MF = Mill Finish SA = Silver Anodised KL = Basic Colour HP = Special Colour BSC = Brushed Satin Chrome SMC = Smokey Chrome PC = Polished Chrome	W = White Z = Black			

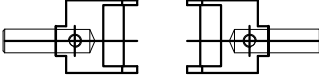
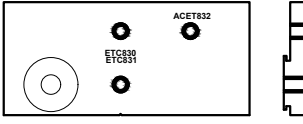


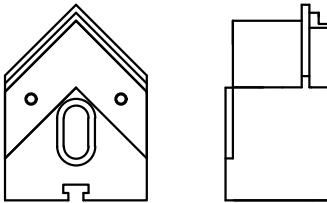




Part Code		Pack	Unit	Application	Colour	
	ACET918	1	Pair	ETC846	MF	✓
	Crimping Punches				SA	
					KL	
					HP	
					BSC	
					SMC	
					PC	
					W	
					Z	
	ACET946	1	Each	ETC830	MF	✓
	Transom/Mullion Drill Jig			ETC831	SA	
				ACET832	KL	
					HP	
					BSC	
					SMC	
					PC	
					W	
					Z	
	ACET947	1	Each	ETC8201	MF	✓
	Friction Hinge Drill Jig			ETC821	SA	
	For Standard Top Hung & Side Hung (13mm Stack)			ETC827	KL	
				ETC823	HP	
				ETC824	BSC	
					SMC	
					PC	
					W	
					Z	
	ACET967N	1	Each	ETC823	MF	✓
	Vee Block			ETC824	SA	
				ETC829	KL	
					HP	
					BSC	
					SMC	
					PC	
					W	
					Z	
	ACET979	1	Each	ETC846	MF	✓
	Vee Block				SA	
					KL	
					HP	
					BSC	
					SMC	
					PC	
					W	
					Z	
 <p>T-BARS ACVG66=2.5mm ACVG66=3.0mm ACVL150=4.0mm</p>  <p>Screw (Grub)</p>	MF = Mill Finish SA = Silver Anodised KL = Basic Colour HP = Special Colour BSC = Brushed Satin Chrome SMC = Smokey Chrome PC = Polished Chrome	W = White Z = Black	 			

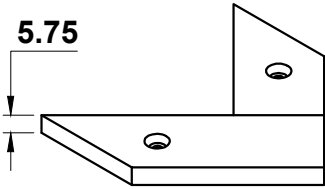
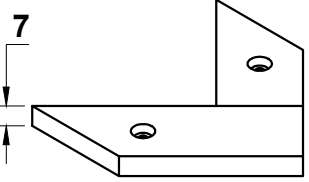
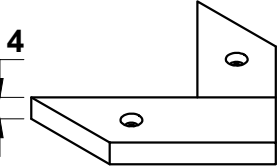
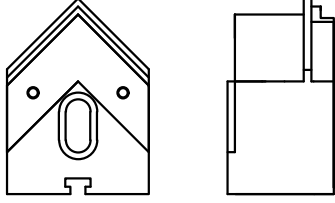
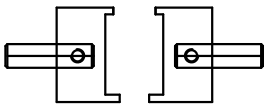

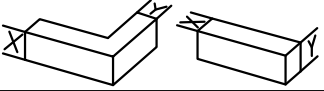
Image	Part Code	Pack	Unit	Application	Colour	
 <p>5.75</p>	ACET983 5.75mm Packer for use with vee block ACET967 & ACET993	1	Each	ETC810 ETC811 ETC820 ETC821 ETC824	MF	✓
					SA	
					KL	
					HP	
					BSC	
					SMC	
					PC	
					W	
					Z	
 <p>7</p>	ACET988 7mm Packer for use with vee block ACET967 & ACET993	1	Each	ETC810 ETC811 ETC824 ETC846	MF	✓
					SA	
					KL	
					HP	
					BSC	
					SMC	
					PC	
					W	
					Z	
 <p>4</p>	ACET990 4mm Packer for use with vee block ACET967	1	Each	ETC824	MF	✓
					SA	
					KL	
					HP	
					BSC	
					SMC	
					PC	
					W	
					Z	
	ACET993 Vee Block	1	Each	ETC810 ETC811 ETC814 ETC815 ETC821 ETC826 ETC827 ETC828 ETC846 ETC819	MF	✓
					SA	
					KL	
					HP	
					BSC	
					SMC	
					PC	
					W	
					Z	
	ACET995N Crimping Punches	1	Each	ETC8201 ETC823 ETC824 ETC826 ETC827 ETC828 ETC829	MF	✓
					SA	
					KL	
					HP	
					BSC	
					SMC	
					PC	
					W	
					Z	
 <p>T-BARS ACVG65=2.5mm ACVG66=3.0mm ACVL150=4.0mm</p> <p>Screw (Grub)</p>	MF = Mill Finish SA = Silver Anodised KL = Basic Colour HP = Special Colour BSC = Brushed Satin Chrome SMC = Smokey Chrome PC = Polished Chrome	W = White Z = Black				

Image	Part Code	Pack	Unit	Application	Colour	
	ACET996 3mm Packer for use with vee block ACET979	1	Each	ETC846	MF	✓
					SA	
					KL	
					HP	
					BSC	
					SMC	
					PC	
					W	
					Z	
	ACET997 Crimping Punches	1	Pair	ETC810	MF	✓
					SA	
					KL	
					HP	
					BSC	
					SMC	
					PC	
					W	
					Z	
	ACET998 Crimping Punches	1	Pair	ETC811 ETC821 ETC819	MF	✓
					SA	
					KL	
					HP	
					BSC	
					SMC	
					PC	
					W	
					Z	
	ACETME93 Egress Drill Jig	1	Each	ACETME13	MF	✓
					SA	
					KL	
					HP	
					BSC	
					SMC	
					PC	
					W	
					Z	
	ACGSL045 Drainage Cap	100	pack		MF	
					SA	
					KL	
					HP	
					BSC	
					SMC	
					PC	
					W	✓
					Z	✓
	MF = Mill Finish SA = Silver Anodised KL = Basic Colour HP = Special Colour BSC = Brushed Satin Chrome SMC = Smokey Chrome PC = Polished Chrome	W = White Z = Black				

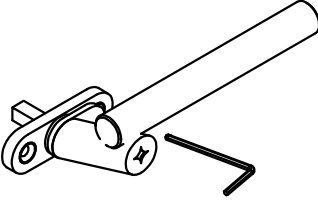
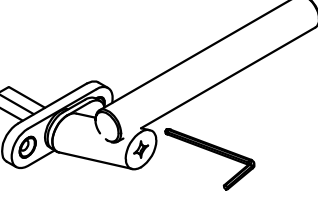
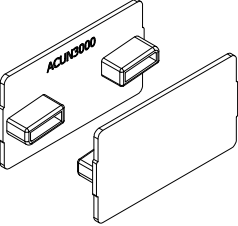
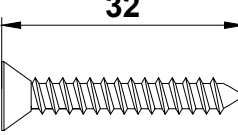
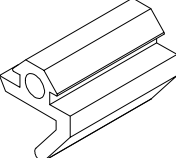
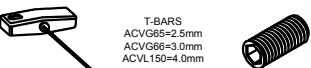
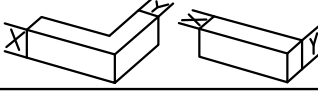
Image	Part Code	Pack	Unit	Application	Colour
 <p>Right Hand Shown</p>	ACSM010SSR/L Stainless Steel Espag. Handle. 9mm spindle.	1	Each	ACET801 ACET802 ACET803 ACET804 ACET805	MF
					SA
					KL
					HP
					BSC
					SMC
PC					
W					
Z					
 <p>Right Hand Shown</p>	ACSM022SSR/L Stainless Steel Espag. Handle. 15mm spindle.	1	Each	ACET861 ACET862 ACET863 ACET864 ACET865 ACET866	MF
					SA
					KL
					HP
					BSC
					SMC
PC					
W					
Z					
	ACUN3000 End Caps for UN3000	10	pairs	UN3000	MF
					SA
					KL
					HP
					BSC
					SMC
PC					
W	✓				
Z					
 <p>32</p>	ACUN3512 No.8 x 32mm CSK SS Pozi Screw	100	pack		MF
					SA
					KL
					HP
					BSC
					SMC
PC					
W					
Z					
	ACVL032 Flipper Gasket	250	m	ETC810 ETC811 ETC830 ETC831	MF
					SA
					KL
					HP
					BSC
					SMC
PC					
W					
Z	✓				
 <p>T-BARS ACVG66=2.5mm ACVG66=3.0mm ACVL150=4.0mm</p> <p>Screw (Grub)</p>	MF = Mill Finish SA = Silver Anodised KL = Basic Colour HP = Special Colour BSC = Brushed Satin Chrome SMC = Smokey Chrome PC = Polished Chrome	W = White Z = Black			

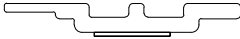
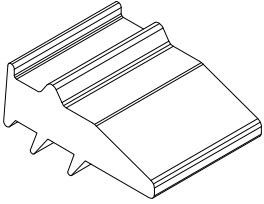
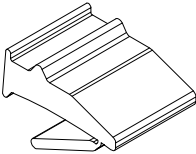
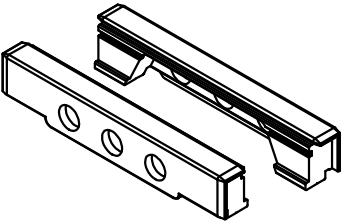
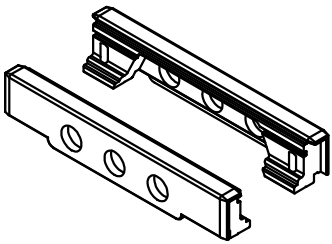


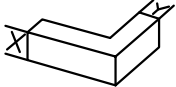
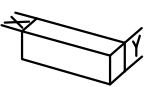
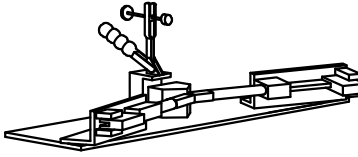
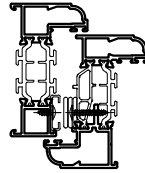
Image	Part Code	Pack	Unit	Application	Colour
	ACVS057 Bridge Packer	10	pack		MF
					SA
					KL
					HP
					BSC
					SMC
					PC
					W
					Z
	ACW20034 4mm Low Line Wedge	200	m		MF
					SA
					KL
					HP
					BSC
					SMC
					PC
					W
					Z
	ACW20038 Tearaway gasket	150	m		MF
					SA
					KL
					HP
					BSC
					SMC
					PC
					W
					Z
	ACW20128 24mm Handle Fixing Blocks	1	Each		MF
					SA
					KL
					HP
					BSC
					SMC
					PC
					W
					Z
	ACW20129 28mm Handle Fixing Blocks	1	Each		MF
					SA
					KL
					HP
					BSC
					SMC
					PC
					W
					Z
 <small>T-BARS ACVG65=2.5mm ACVG66=3.0mm ACVL150=4.0mm</small>	 <small>Screw (Grub)</small>	MF = Mill Finish SA = Silver Anodised KL = Basic Colour HP = Special Colour BSC = Brushed Satin Chrome SMC = Smokey Chrome PC = Polished Chrome	W = White Z = Black	 	

Image	Part Code	Pack	Unit	Application	Colour
	MUA067 No. 7 x 2" CSK Stainless Steel Self Tapper	100	pack	ETC8201 ETC824	MF SA KL HP BSC SMC PC W Z
	WCA093 13mm Cockspur Handle	1	Each	ACET869	MF SA ✓ KL HP BSC SMC PC W ✓ Z ✓
	WCA106 Stainless Steel Chevron	100	pack	ETC824 ETC846	MF ✓ SA KL HP BSC SMC PC W Z
	WCA134 M5 X 20 CSK M/C Screw	100	pack		MF SA KL HP BSC SMC PC W Z
	WUT024HSZA Manual Crimper Note: Vee blocks & punches are sold separately	1	Each		MF ✓ SA KL HP BSC SMC PC W Z
	MF = Mill Finish SA = Silver Anodised KL = Basic Colour HP = Special Colour BSC = Brushed Satin Chrome SMC = Smokey Chrome PC = Polished Chrome	W = White Z = Black			



Friction Hinge Stays 13mm Stack (Standard)

Top Hung Windows

Top Hung	Type of Hinge / Stay	Max. Vent	Height		Typical
		Weight (kgs)	Minimum	Maximum	Width
ACINDS10	Standard	16	275	400	--
ACINDS16		21	400	780	--
ACINDS20		26	700	1100	--
ACINDS24		40	850	1300	--
ACINDA10	Austenitic	16	275	400	--
ACINDA16		21	400	780	--
ACINDA20		26	700	1100	--
ACINDA24		40	850	1300	--

ACINDR12	Restricted	20	350	550	--
ACINDR16		21	500	780	--
ACINDR20		26	700	1100	--
ACINDR24		40	850	1300	--

Side Hung Windows

Side Hung	Type of Hinge / Stay	Max. Vent	Width		Typical
		Weight (kgs)	Minimum	Maximum	Height
ACINDSSH12	Standard	22	300	600	-
ACINDSSH16		28	400	700	-
ACINDASH12	Austenitic	22	300	600	-
ACINDASH16		28	400	700	-

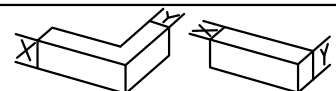
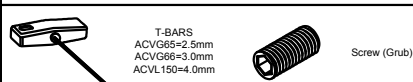
ACINDRSH12	Restricted	22	300	600	-
ACINDRSH16		24	400	700	-
ACETME13	Egress	40	365	865	-

Note1: Vent Height / Width is measured in mm from rebate to rebate (not overall size or outer frame)

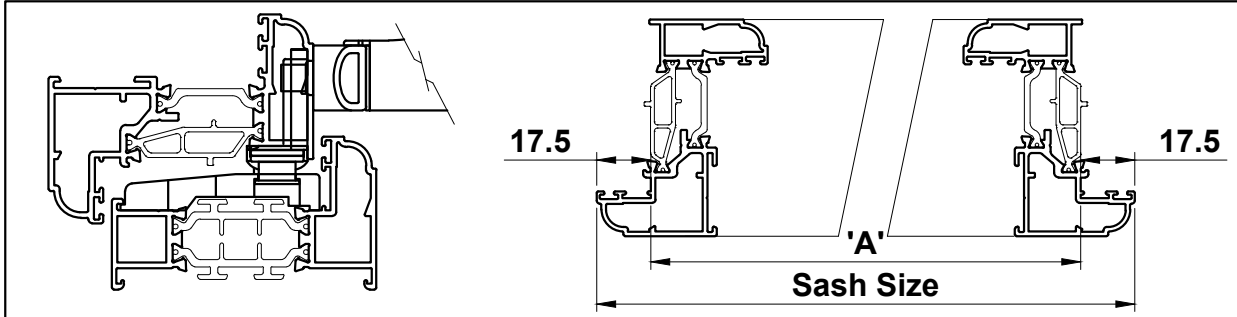
Note2: Top hung height and side hung width sizes to be reduced by 2mm where size is 450mm or smaller

Note3: Typical Dimensions based on Max. Size and Glass 30kg/m²

Note4: For additional security use ACET513 hinge protectors

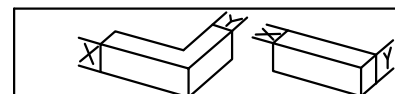
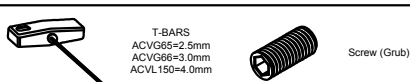
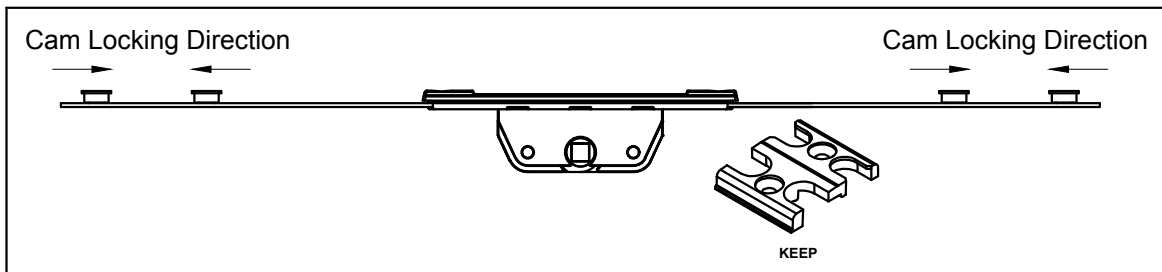


Locking (except ETC821 & ETC825)

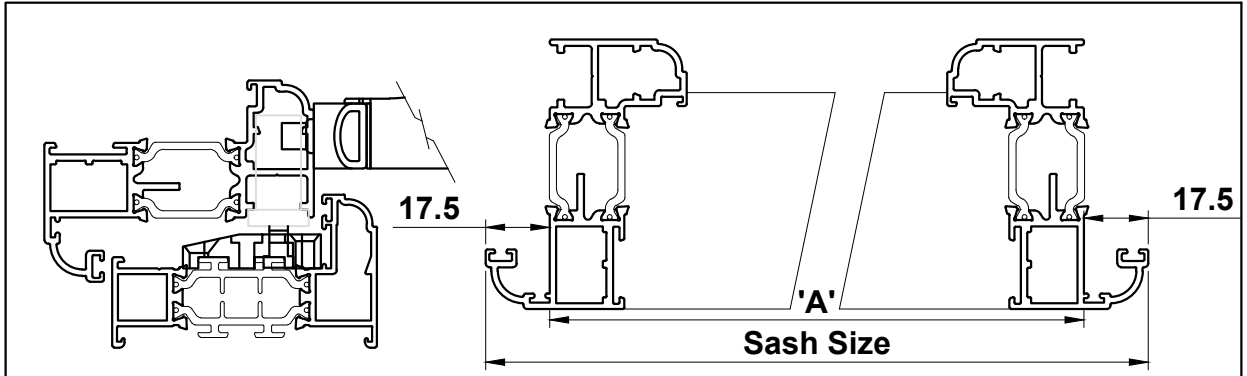


Part Code	Rod Length (mm)	Number of Keeps	Sash Rebate Size ('A')	
			Minimum	Maximum
ACET801L	335	2	340	505
ACET801R				
ACET802L	500	2	506	755
ACET802R				
ACET803L	750	2	756	1005
ACET803R				
ACET804L	1000	4	1006	1255
ACET804R				
ACET805L	1250	4	1256	1400
ACET805R				

Note: To Suit Handle ACET165



ETC825 Locking



Part Code	Rod Length (mm)	Number of Keeps	Sash Rebate Size ('A')	
			Minimum	Maximum
ACET861	200	1	200	400
ACET862	400	2	400	600
ACET863	600	2	600	800
ACET864	800	3	800	1000
ACET865	1000	3	1000	1200
ACET866	1200	3	1200	1400

Note: To Suit Handle ACET868

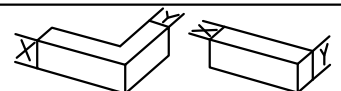
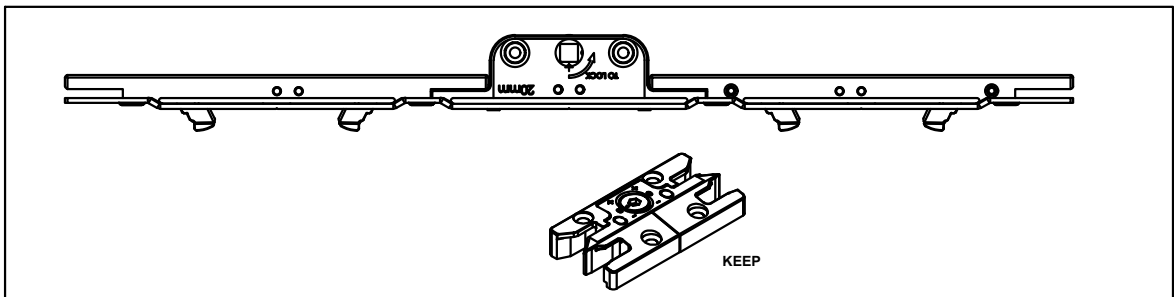


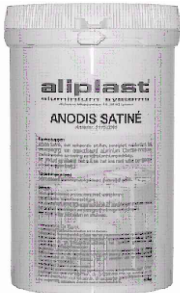
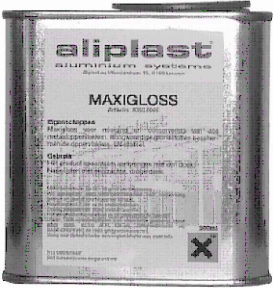

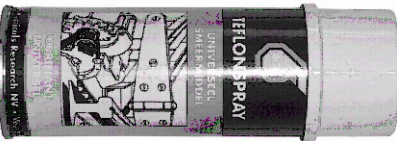



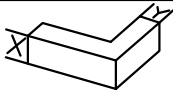
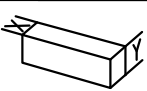
Image	Part Code	Pack	Unit	Application	Colour																		
	ACMX09700 Alu-Polish Cleaning emulsion for aluminium oxide.	1	each		<table border="1"> <tr><td>MF</td><td>✓</td></tr> <tr><td>SA</td><td></td></tr> <tr><td>KL</td><td></td></tr> <tr><td>HP</td><td></td></tr> <tr><td>M</td><td></td></tr> <tr><td>GOZ</td><td></td></tr> <tr><td>W</td><td></td></tr> <tr><td>Z</td><td></td></tr> <tr><td>PC</td><td></td></tr> </table>	MF	✓	SA		KL		HP		M		GOZ		W		Z		PC	
MF	✓																						
SA																							
KL																							
HP																							
M																							
GOZ																							
W																							
Z																							
PC																							
	ACMX09761 Maxi Gloss Protection for painted and anodised surfaces.	1	each		<table border="1"> <tr><td>MF</td><td></td></tr> <tr><td>SA</td><td></td></tr> <tr><td>KL</td><td></td></tr> <tr><td>HP</td><td></td></tr> <tr><td>M</td><td></td></tr> <tr><td>GOZ</td><td></td></tr> <tr><td>W</td><td></td></tr> <tr><td>Z</td><td></td></tr> <tr><td>PC</td><td></td></tr> </table>	MF		SA		KL		HP		M		GOZ		W		Z		PC	
MF																							
SA																							
KL																							
HP																							
M																							
GOZ																							
W																							
Z																							
PC																							
	ACMX09762 Alu. Bright Cleaner for rough, anodised or enamelled aluminium frames.	1	each		<table border="1"> <tr><td>MF</td><td></td></tr> <tr><td>SA</td><td></td></tr> <tr><td>KL</td><td></td></tr> <tr><td>HP</td><td></td></tr> <tr><td>M</td><td></td></tr> <tr><td>GOZ</td><td></td></tr> <tr><td>W</td><td></td></tr> <tr><td>Z</td><td></td></tr> <tr><td>PC</td><td></td></tr> </table>	MF		SA		KL		HP		M		GOZ		W		Z		PC	
MF																							
SA																							
KL																							
HP																							
M																							
GOZ																							
W																							
Z																							
PC																							
	ACMX09763 Teflon Spray Lubricant	1	each		<table border="1"> <tr><td>MF</td><td></td></tr> <tr><td>SA</td><td></td></tr> <tr><td>KL</td><td></td></tr> <tr><td>HP</td><td></td></tr> <tr><td>M</td><td></td></tr> <tr><td>GOZ</td><td></td></tr> <tr><td>W</td><td></td></tr> <tr><td>Z</td><td></td></tr> <tr><td>PC</td><td></td></tr> </table>	MF		SA		KL		HP		M		GOZ		W		Z		PC	
MF																							
SA																							
KL																							
HP																							
M																							
GOZ																							
W																							
Z																							
PC																							
	ACMX09764 Maxi Cleaner For cleaning oily surfaces.	1	each		<table border="1"> <tr><td>MF</td><td></td></tr> <tr><td>SA</td><td></td></tr> <tr><td>KL</td><td></td></tr> <tr><td>HP</td><td></td></tr> <tr><td>M</td><td></td></tr> <tr><td>GOZ</td><td></td></tr> <tr><td>W</td><td></td></tr> <tr><td>Z</td><td></td></tr> <tr><td>PC</td><td></td></tr> </table>	MF		SA		KL		HP		M		GOZ		W		Z		PC	
MF																							
SA																							
KL																							
HP																							
M																							
GOZ																							
W																							
Z																							
PC																							
 <p>T-BARS ACVG66=2.5mm ACVG66=3.0mm ACVL150=4.0mm</p>  <p>Screw (Grub)</p>	<p>MF = Mill Finish SA = Silver Anodised KL = Basic Colour HP = Special Colour</p> <p>M = Dual Colour GOZ = Gold W = White Z = Black</p>	 																					

Image	Part Code	Pack	Unit	Application	Colour
	ACMX09765 Glue Cleaner De-grease and silicone remover.	1	each		MF
					SA
					KL
					HP
					M
					GOZ
					W
					Z
					PC
	ACMX09770 Roll & Wrap 100mm	1	each		MF
					SA
					KL
					HP
					M
					GOZ
					W
					Z
					PC
	ACMX09775 Grip Handwrap	1	each		MF
					SA
					KL
					HP
					M
					GOZ
					W
					Z
					PC
	ACMX09801 Protective Tape 50mm	1	each		MF
					SA
					KL
					HP
					M
					GOZ
					W
					Z
					PC
	ACMX09802 Protective Tape 70mm	1	each		MF
					SA
					KL
					HP
					M
					GOZ
					W
					Z
					PC
 	MF = Mill Finish SA = Silver Anodised KL = Basic Colour HP = Special Colour	M = Dual Colour GOZ = Gold W = White Z = Black			








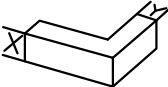
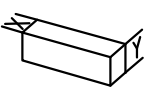
Image	Part Code	Pack	Unit	Application	Colour																		
	ACMX09803 Protective Tape 100mm	1	each		<table border="1"> <tr><td>MF</td><td></td></tr> <tr><td>SA</td><td></td></tr> <tr><td>KL</td><td></td></tr> <tr><td>HP</td><td></td></tr> <tr><td>M</td><td></td></tr> <tr><td>GOZ</td><td></td></tr> <tr><td>W</td><td></td></tr> <tr><td>Z</td><td></td></tr> <tr><td>PC</td><td></td></tr> </table>	MF		SA		KL		HP		M		GOZ		W		Z		PC	
MF																							
SA																							
KL																							
HP																							
M																							
GOZ																							
W																							
Z																							
PC																							
	ACSIL04 Sealing Glue Order with suffix of KL colour (eg.ACSIL04KL005) or BL=Black/WP=White/CL=Clear	1	each		<table border="1"> <tr><td>MF</td><td></td></tr> <tr><td>SA</td><td></td></tr> <tr><td>KL</td><td>✓</td></tr> <tr><td>HP</td><td></td></tr> <tr><td>M</td><td></td></tr> <tr><td>GOZ</td><td></td></tr> <tr><td>W</td><td>✓</td></tr> <tr><td>Z</td><td>✓</td></tr> <tr><td>PC</td><td></td></tr> </table>	MF		SA		KL	✓	HP		M		GOZ		W	✓	Z	✓	PC	
MF																							
SA																							
KL	✓																						
HP																							
M																							
GOZ																							
W	✓																						
Z	✓																						
PC																							
	ACSIL05 Rubber Sealant	1	each		<table border="1"> <tr><td>MF</td><td></td></tr> <tr><td>SA</td><td></td></tr> <tr><td>KL</td><td></td></tr> <tr><td>HP</td><td></td></tr> <tr><td>M</td><td></td></tr> <tr><td>GOZ</td><td></td></tr> <tr><td>W</td><td></td></tr> <tr><td>Z</td><td></td></tr> <tr><td>PC</td><td></td></tr> </table>	MF		SA		KL		HP		M		GOZ		W		Z		PC	
MF																							
SA																							
KL																							
HP																							
M																							
GOZ																							
W																							
Z																							
PC																							
	ACSIL08 Silicon Gun	1	each		<table border="1"> <tr><td>MF</td><td></td></tr> <tr><td>SA</td><td></td></tr> <tr><td>KL</td><td></td></tr> <tr><td>HP</td><td></td></tr> <tr><td>M</td><td></td></tr> <tr><td>GOZ</td><td></td></tr> <tr><td>W</td><td></td></tr> <tr><td>Z</td><td></td></tr> <tr><td>PC</td><td></td></tr> </table>	MF		SA		KL		HP		M		GOZ		W		Z		PC	
MF																							
SA																							
KL																							
HP																							
M																							
GOZ																							
W																							
Z																							
PC																							
	ACSIL013 Glue for Mitre	1	each		<table border="1"> <tr><td>MF</td><td></td></tr> <tr><td>SA</td><td></td></tr> <tr><td>KL</td><td></td></tr> <tr><td>HP</td><td></td></tr> <tr><td>M</td><td></td></tr> <tr><td>GOZ</td><td></td></tr> <tr><td>W</td><td></td></tr> <tr><td>Z</td><td></td></tr> <tr><td>PC</td><td></td></tr> </table>	MF		SA		KL		HP		M		GOZ		W		Z		PC	
MF																							
SA																							
KL																							
HP																							
M																							
GOZ																							
W																							
Z																							
PC																							
 <p>T-BARS ACVG65=2.5mm ACVG66=3.0mm ACVL150=4.0mm</p>  <p>Screw (Grub)</p>	MF = Mill Finish SA = Silver Anodised KL = Basic Colour HP = Special Colour M = Dual Colour GOZ = Gold W = White Z = Black			 																			





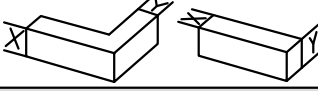
Image	Part Code	Pack	Unit	Application	Colour
	ACSIL014 Anti-Corrosion Coating	1	each		MF <input checked="" type="checkbox"/>
					SA <input type="checkbox"/>
					KL <input type="checkbox"/>
					HP <input type="checkbox"/>
					M <input type="checkbox"/>
					GOZ <input type="checkbox"/>
					W <input type="checkbox"/>
					Z <input type="checkbox"/>
					PC <input type="checkbox"/>
					
SA <input type="checkbox"/>					
KL <input type="checkbox"/>					
HP <input type="checkbox"/>					
M <input type="checkbox"/>					
GOZ <input type="checkbox"/>					
W <input type="checkbox"/>					
Z <input type="checkbox"/>					
PC <input type="checkbox"/>					
					SA <input type="checkbox"/>
					KL <input type="checkbox"/>
					HP <input type="checkbox"/>
					M <input type="checkbox"/>
					GOZ <input type="checkbox"/>
					W <input type="checkbox"/>
					Z <input type="checkbox"/>
					PC <input type="checkbox"/>
SA <input type="checkbox"/>					
KL <input type="checkbox"/>					
HP <input type="checkbox"/>					
M <input type="checkbox"/>					
GOZ <input type="checkbox"/>					
W <input type="checkbox"/>					
Z <input type="checkbox"/>					
PC <input type="checkbox"/>					
					
					SA = Silver Anodised
					KL = Basic Colour
					HP = Special Colour
					M = Dual Colour
					GOZ = Gold
					W = White
					Z = Black

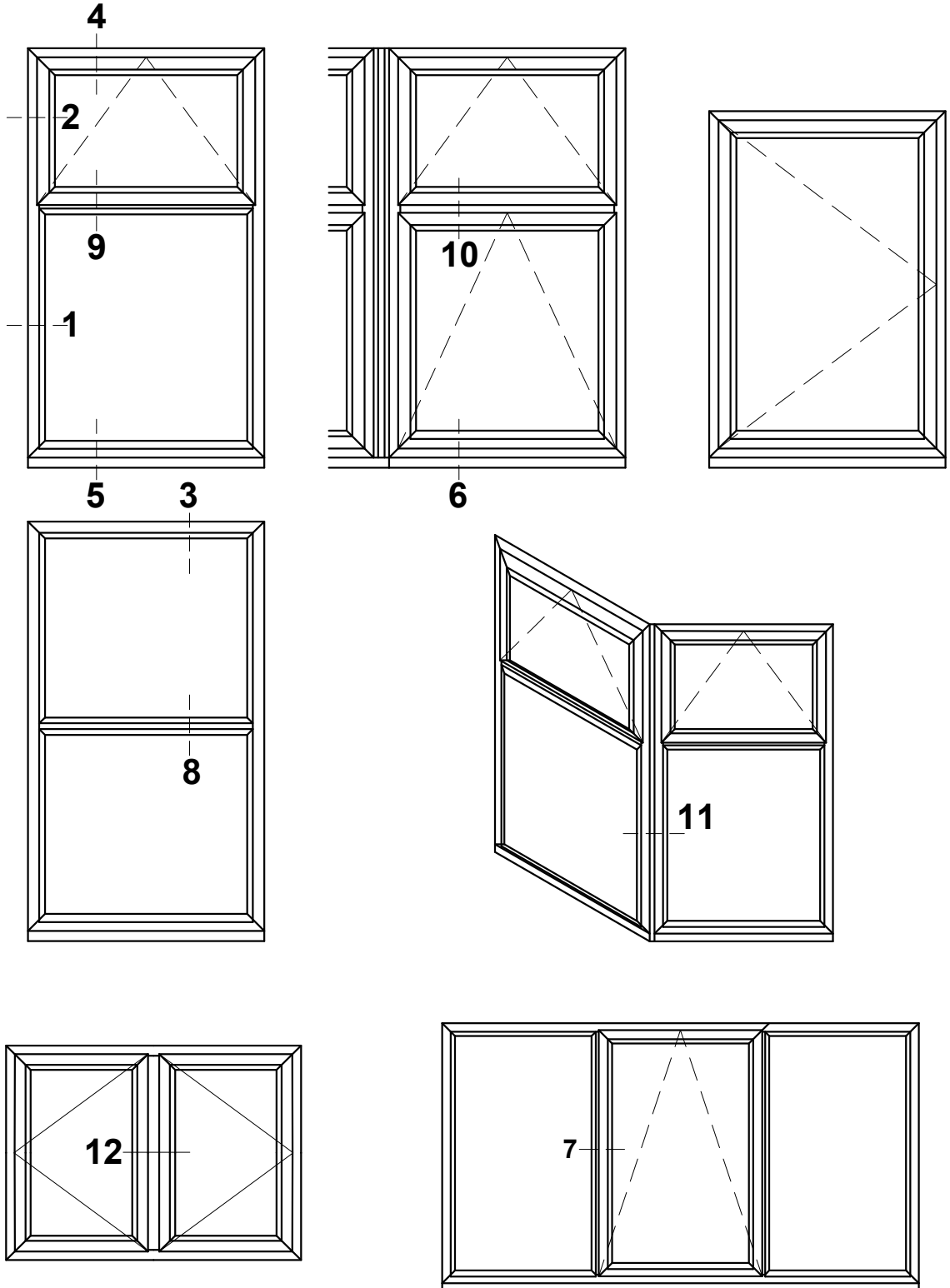
Image	Part Code	Pack	Unit	Application	Colour
					MF SA KL HP M GOZ W Z PC
					MF SA KL HP M GOZ W Z PC
					MF SA KL HP M GOZ W Z PC
					MF SA KL HP M GOZ W Z PC
					MF SA KL HP M GOZ W Z PC
 <p>T-BARS ACVG65=2.5mm ACVG66=3.0mm ACVL150=4.0mm</p> <p>Screw (Grub)</p>	<p>MF = Mill Finish SA = Silver Anodised KL = Basic Colour HP = Special Colour</p> <p>M = Dual Colour GOZ = Gold W = White Z = Black</p>				

Section C

Alitherm 800
Sections
Scale Elevations

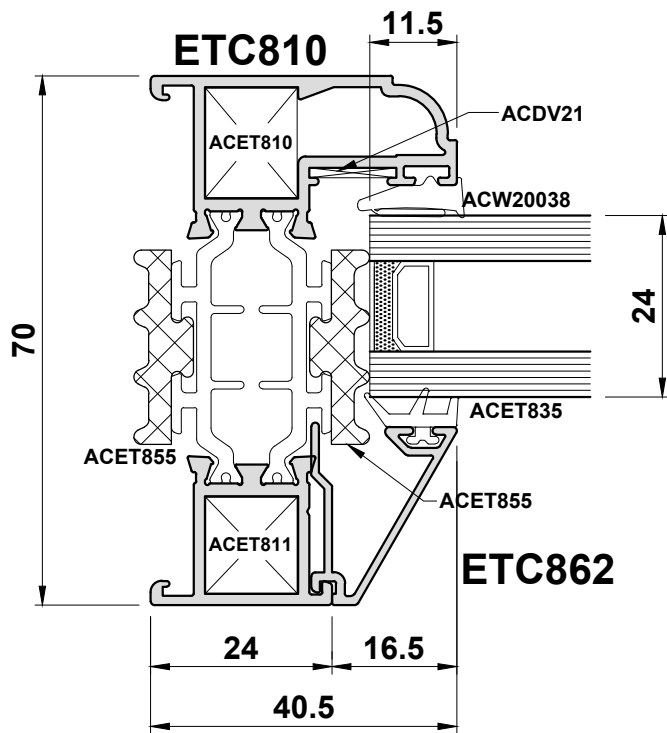
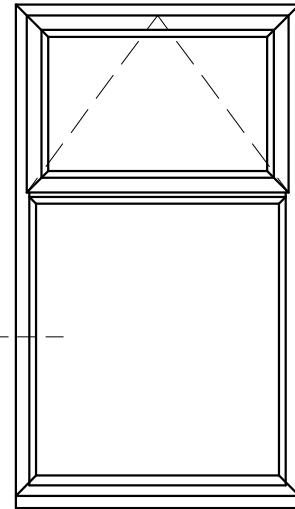
Section C

Scale Elevations



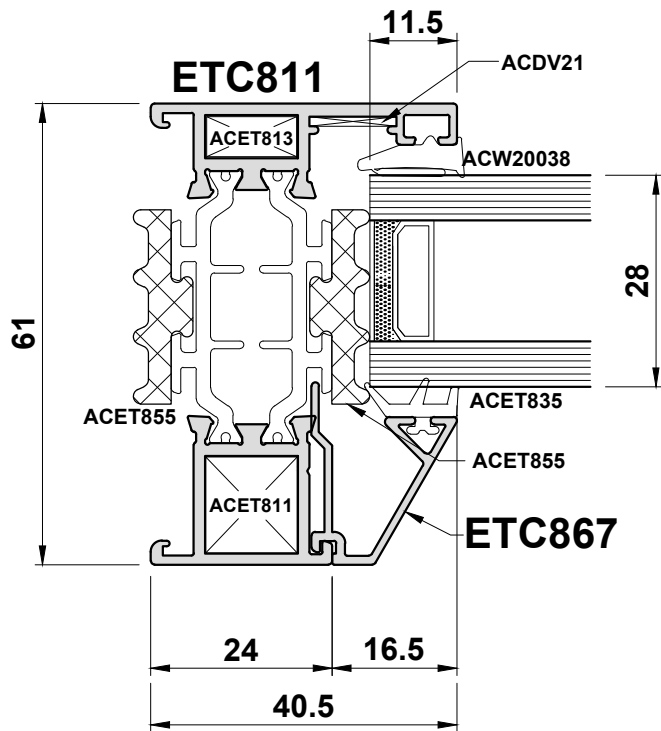
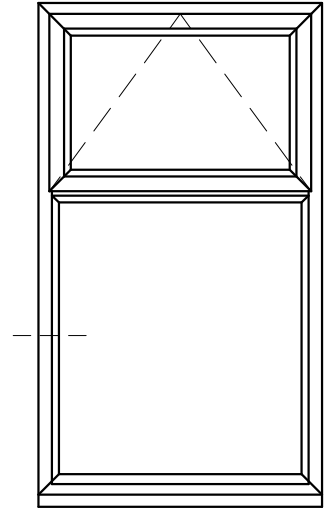
Do Not Scale From This Drawing

Detail 1A



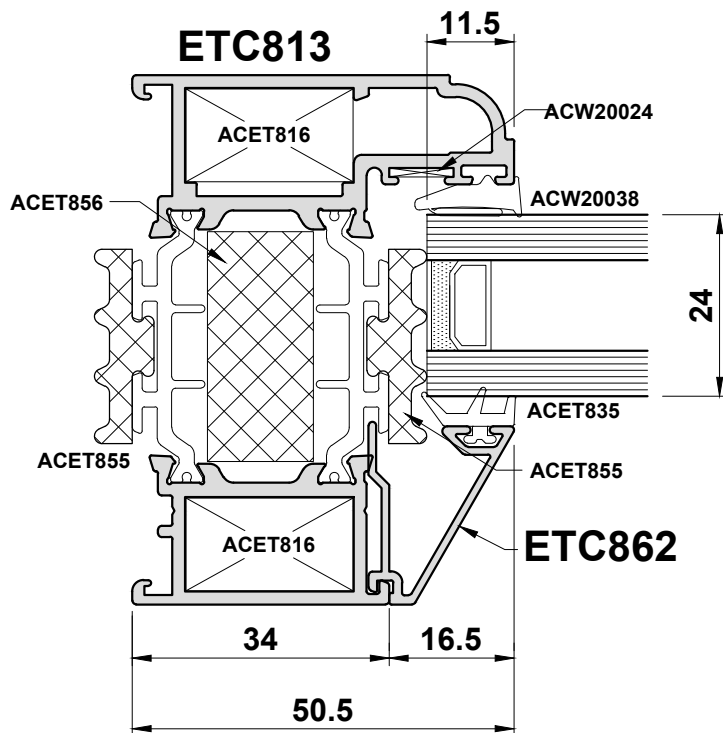
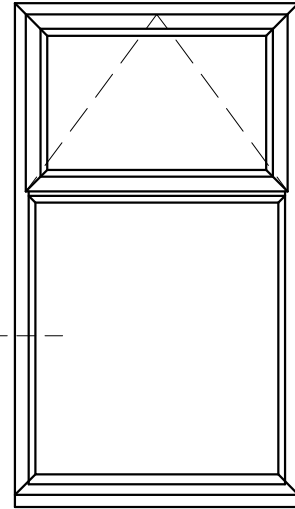
Do Not Scale From This Drawing

Detail 1B



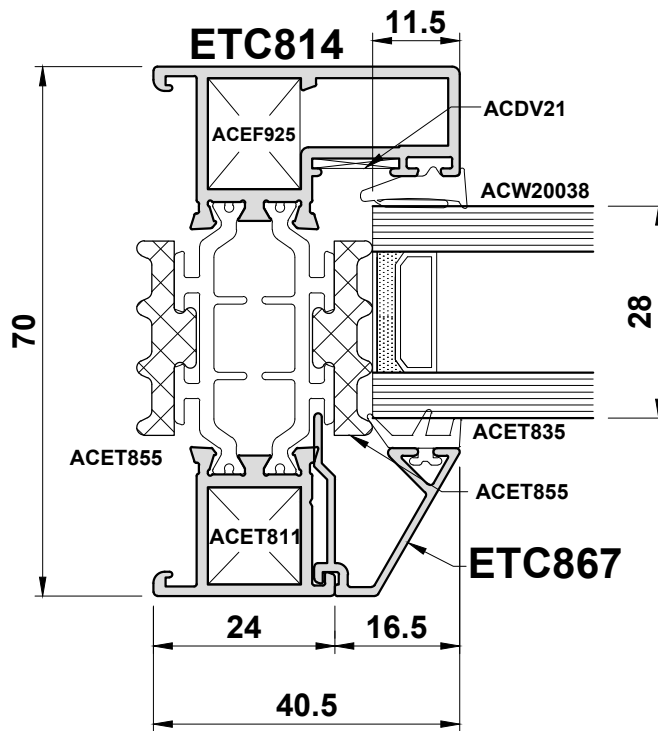
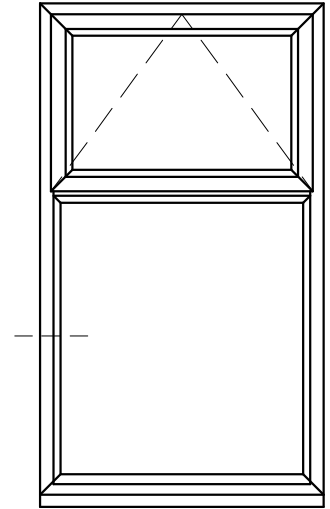
Do Not Scale From This Drawing

Detail 1C



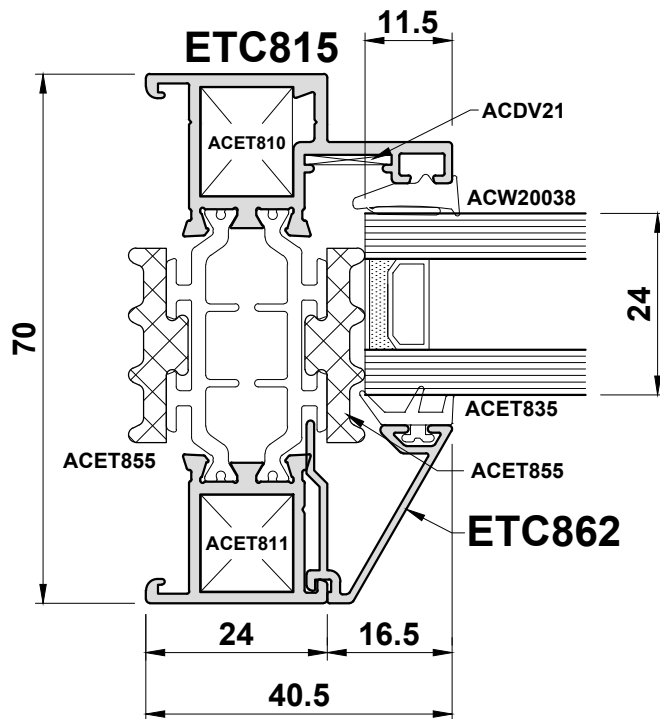
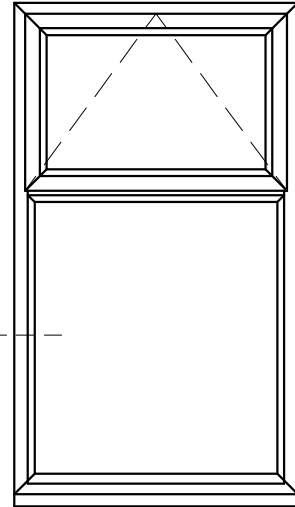
Do Not Scale From This Drawing

Detail 1D



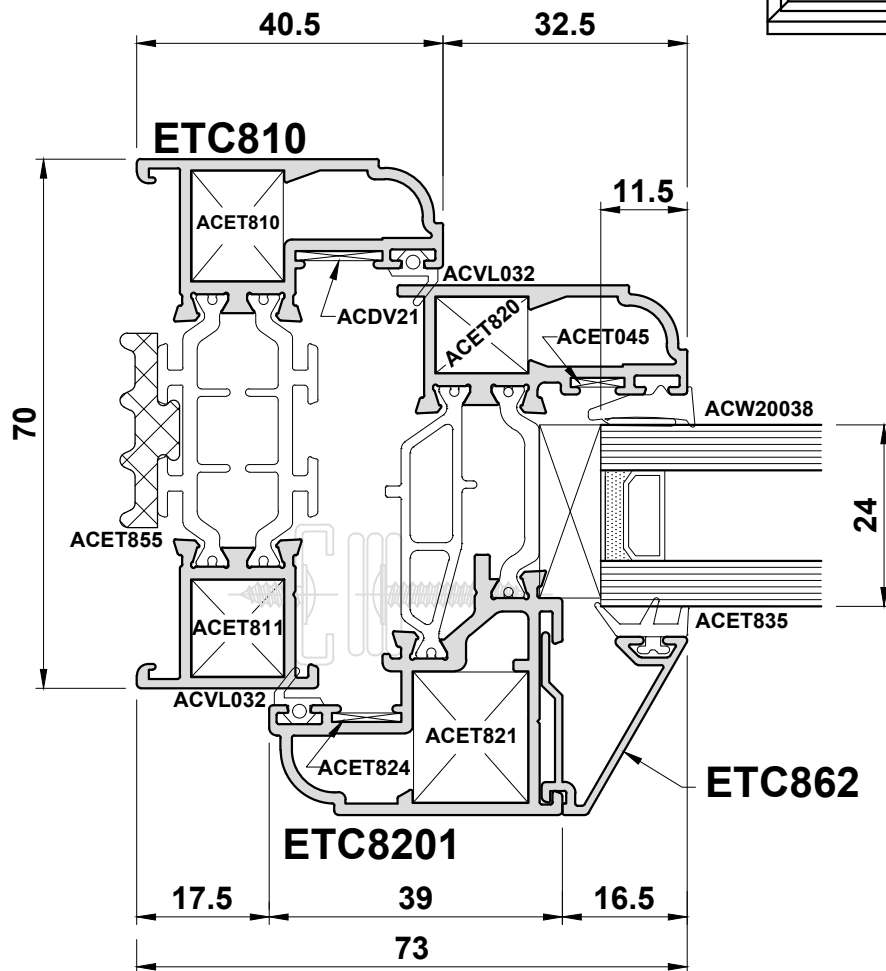
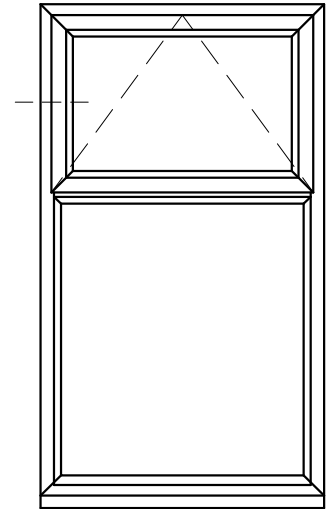
Do Not Scale From This Drawing

Detail 1E



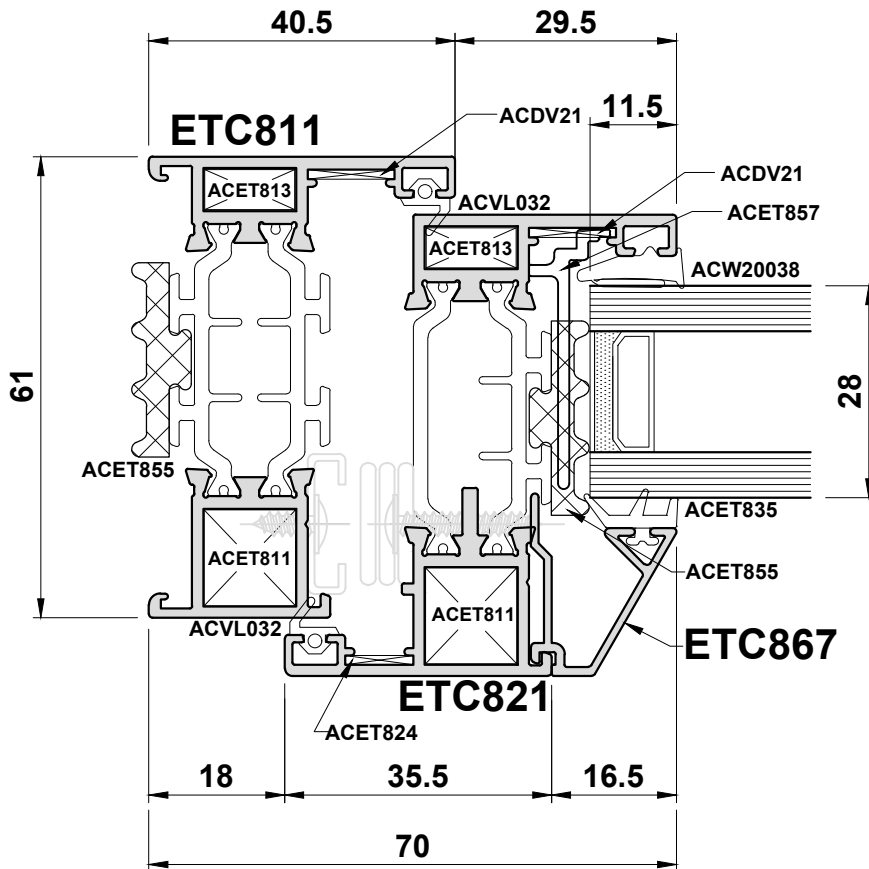
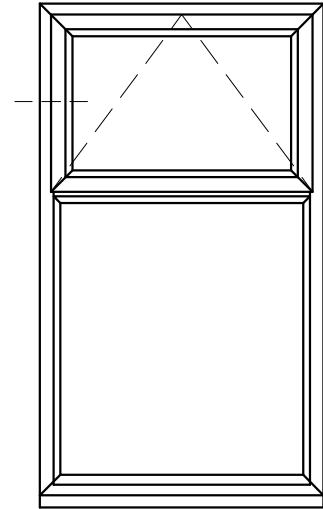
Do Not Scale From This Drawing

Detail 2A



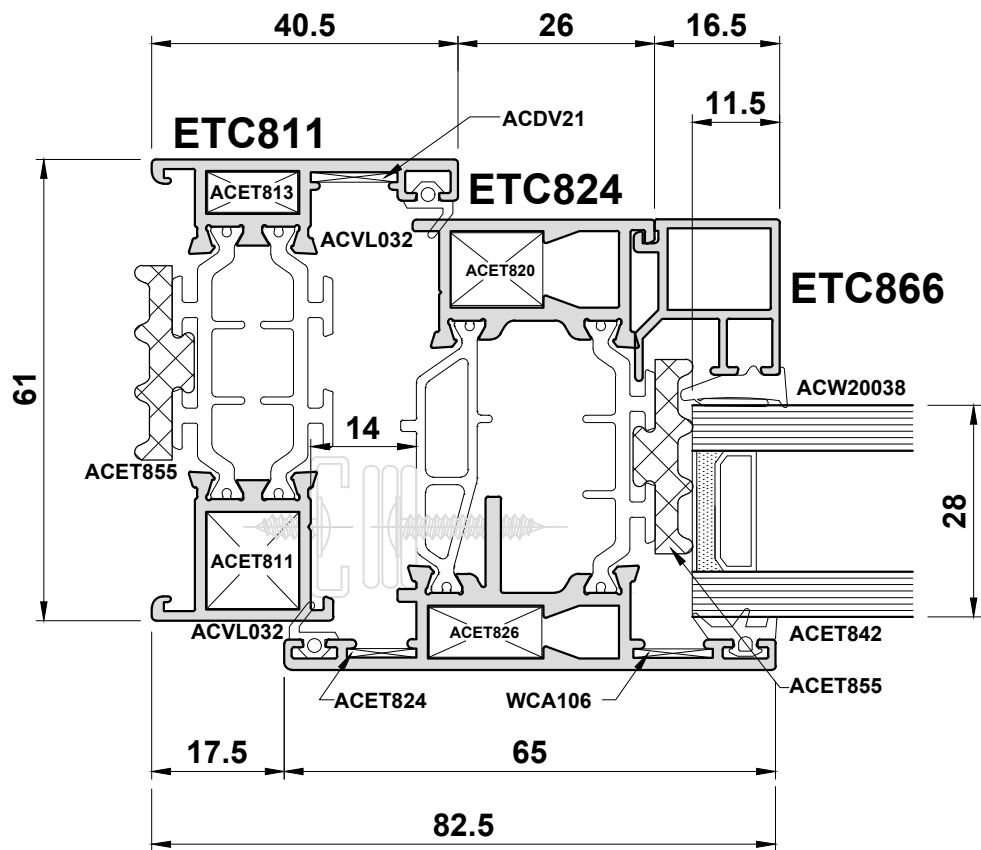
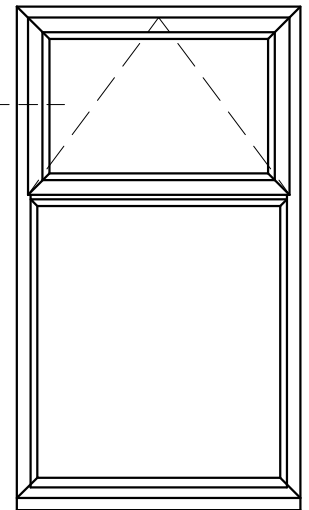
Do Not Scale From This Drawing

Detail 2B



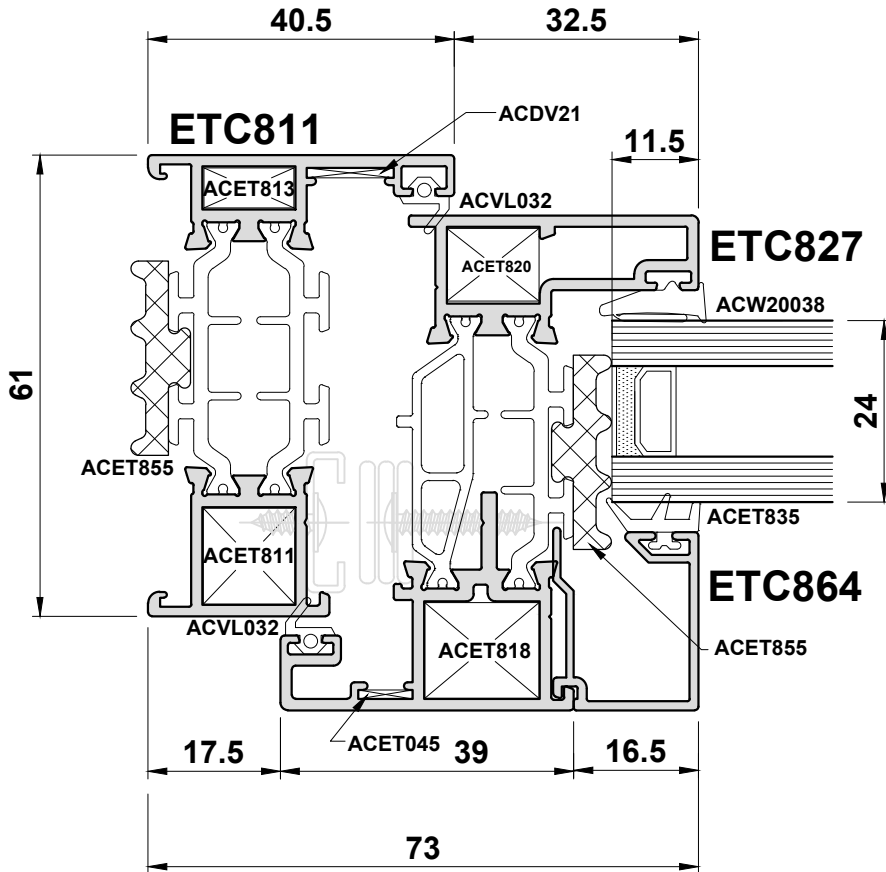
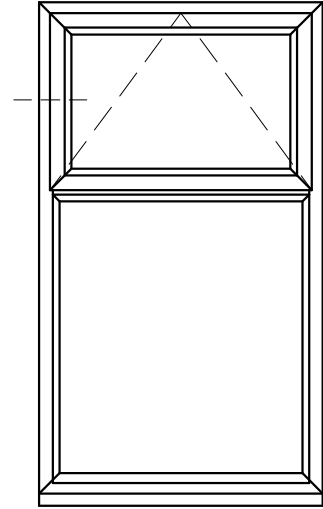
Do Not Scale From This Drawing

Detail 2C



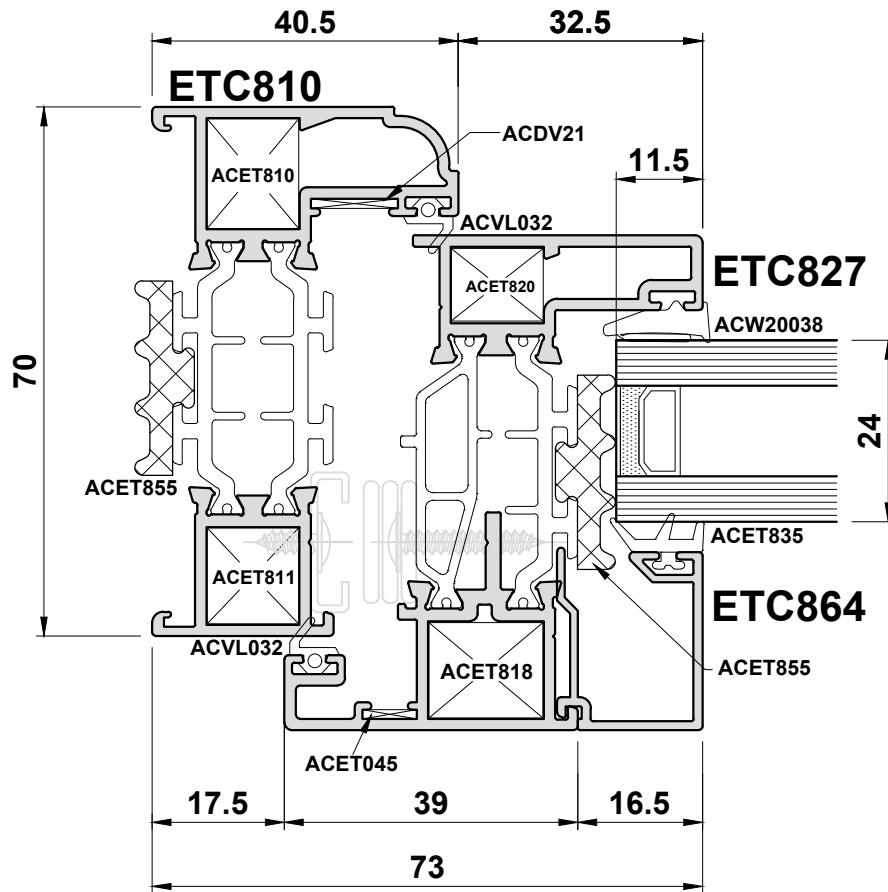
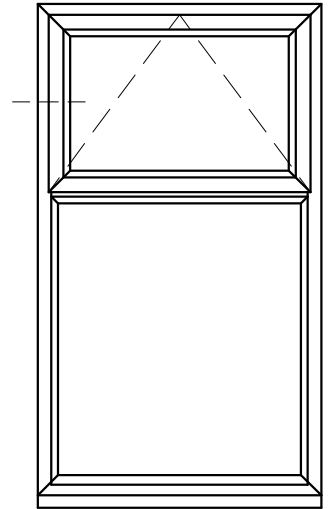
Do Not Scale From This Drawing

Detail 2D



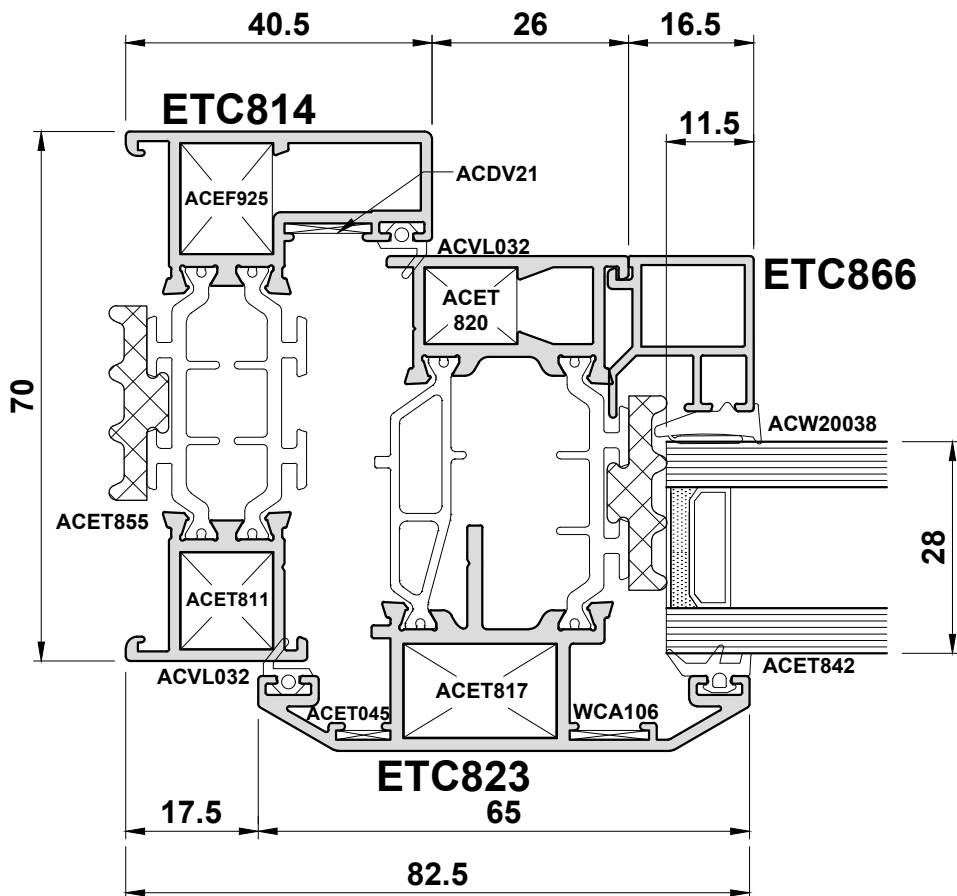
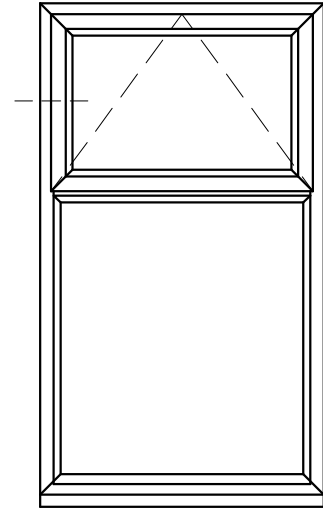
Do Not Scale From This Drawing

Detail 2E



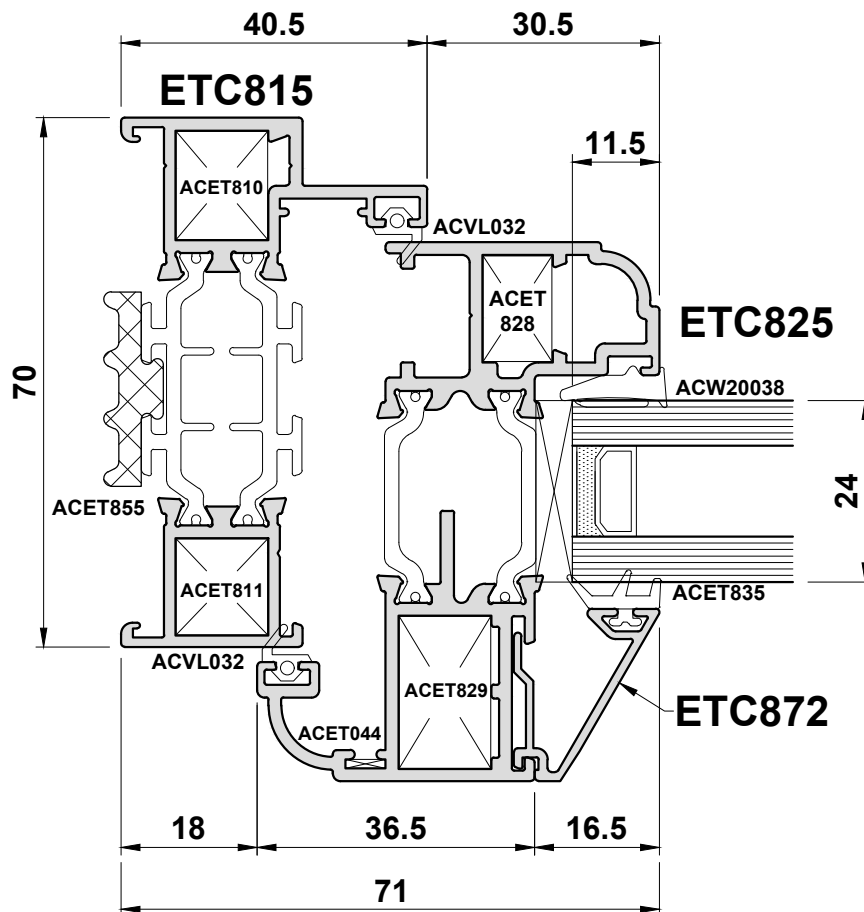
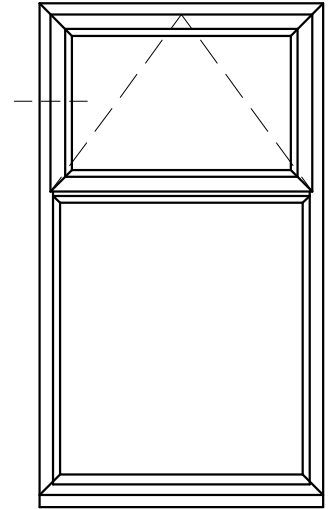
Do Not Scale From This Drawing

Detail 2F



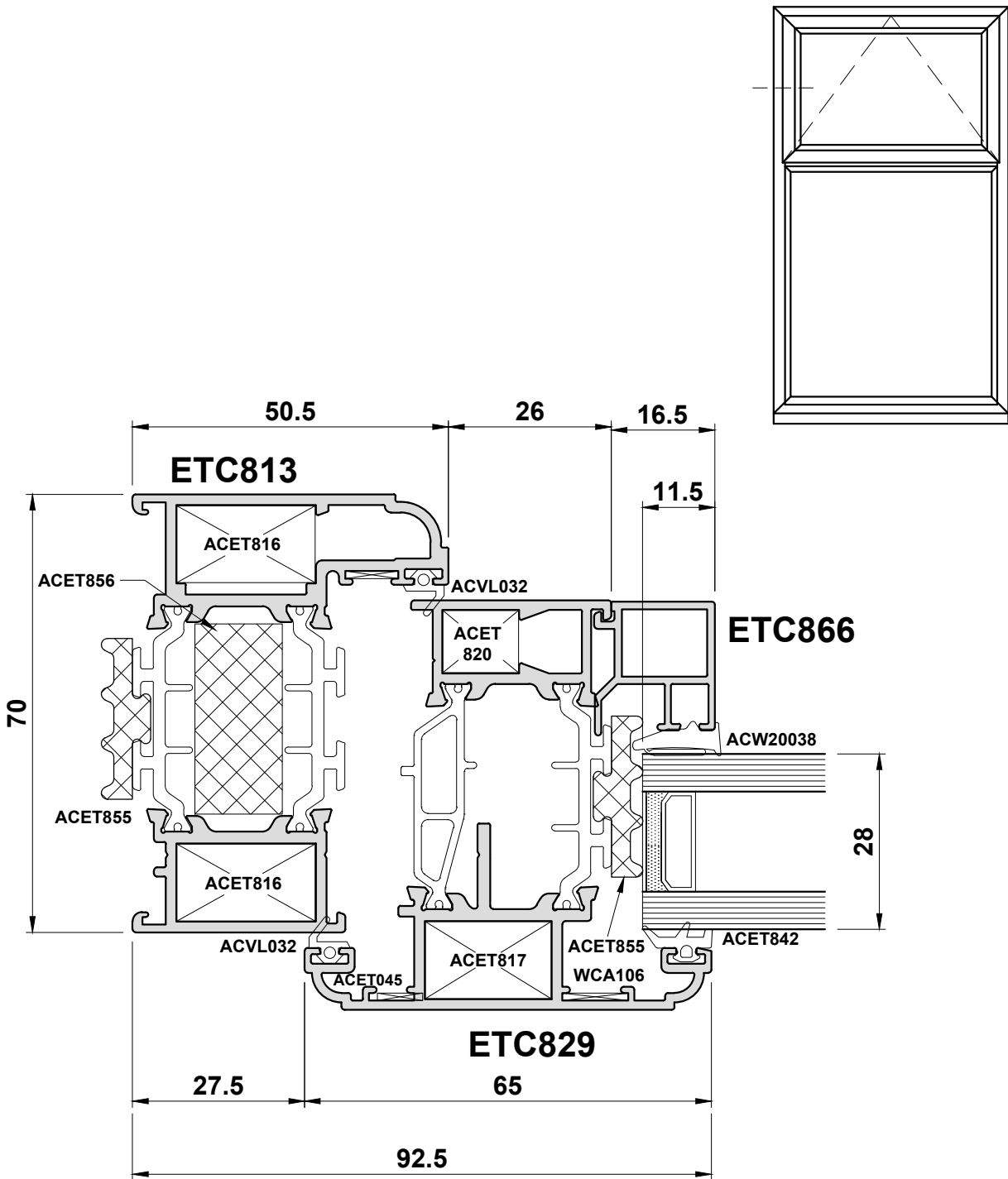
Do Not Scale From This Drawing

Detail 2G



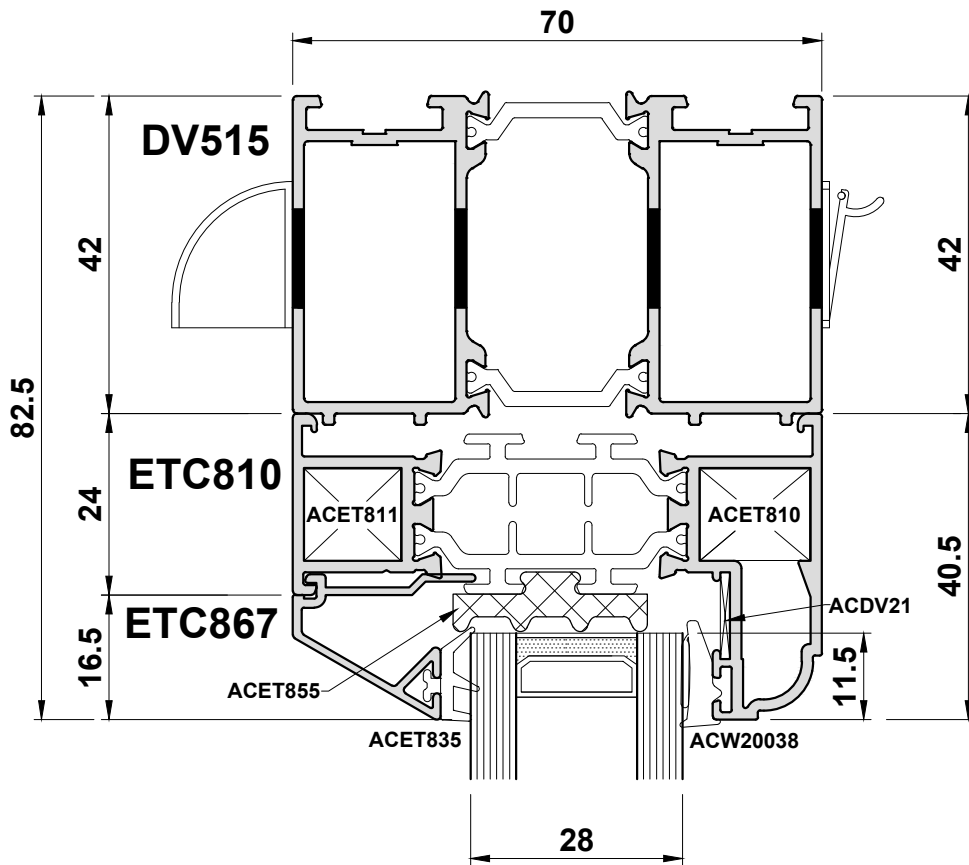
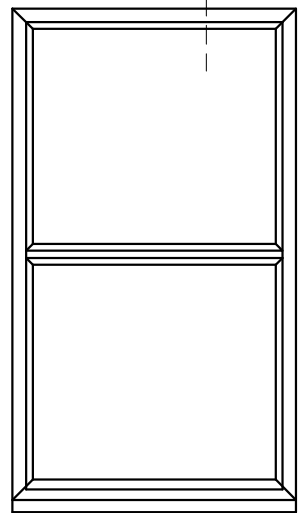
Do Not Scale From This Drawing

Detail 2H



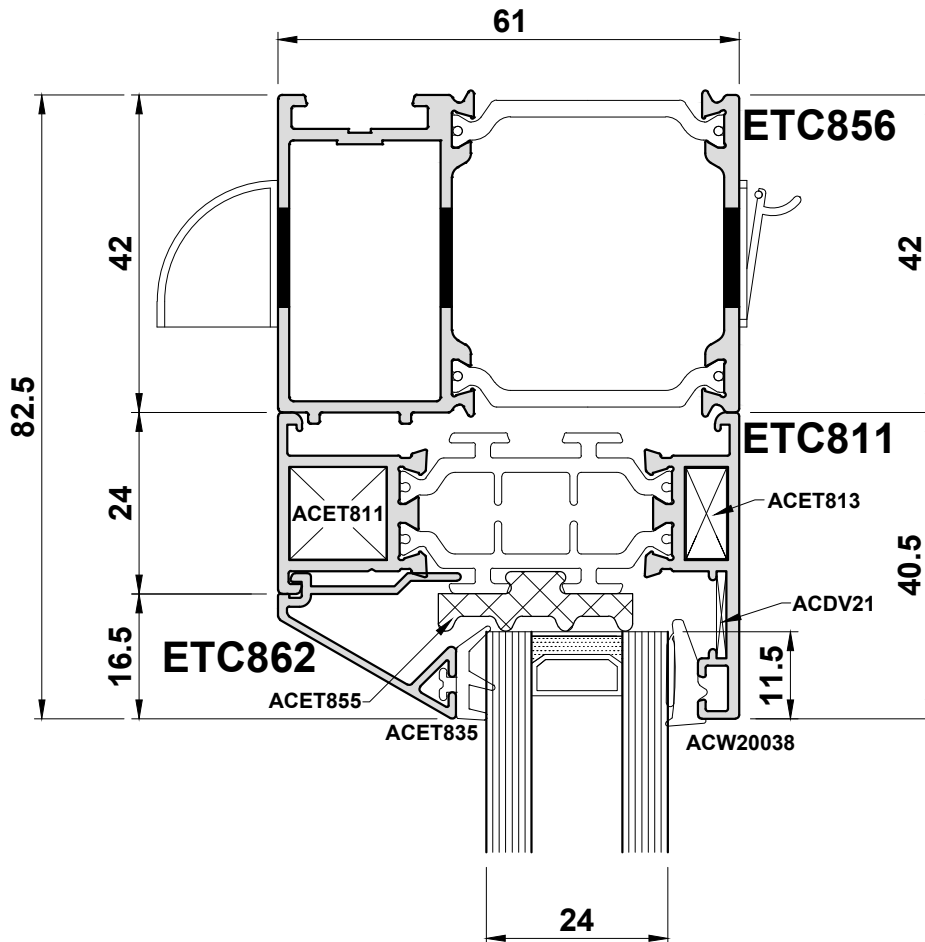
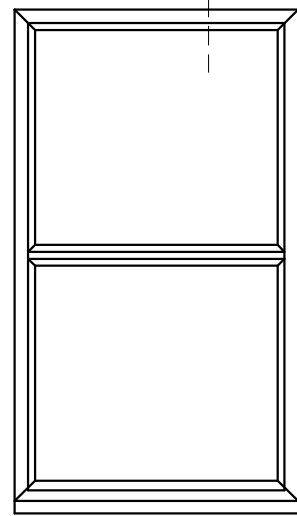
Do Not Scale From This Drawing

Detail 3A



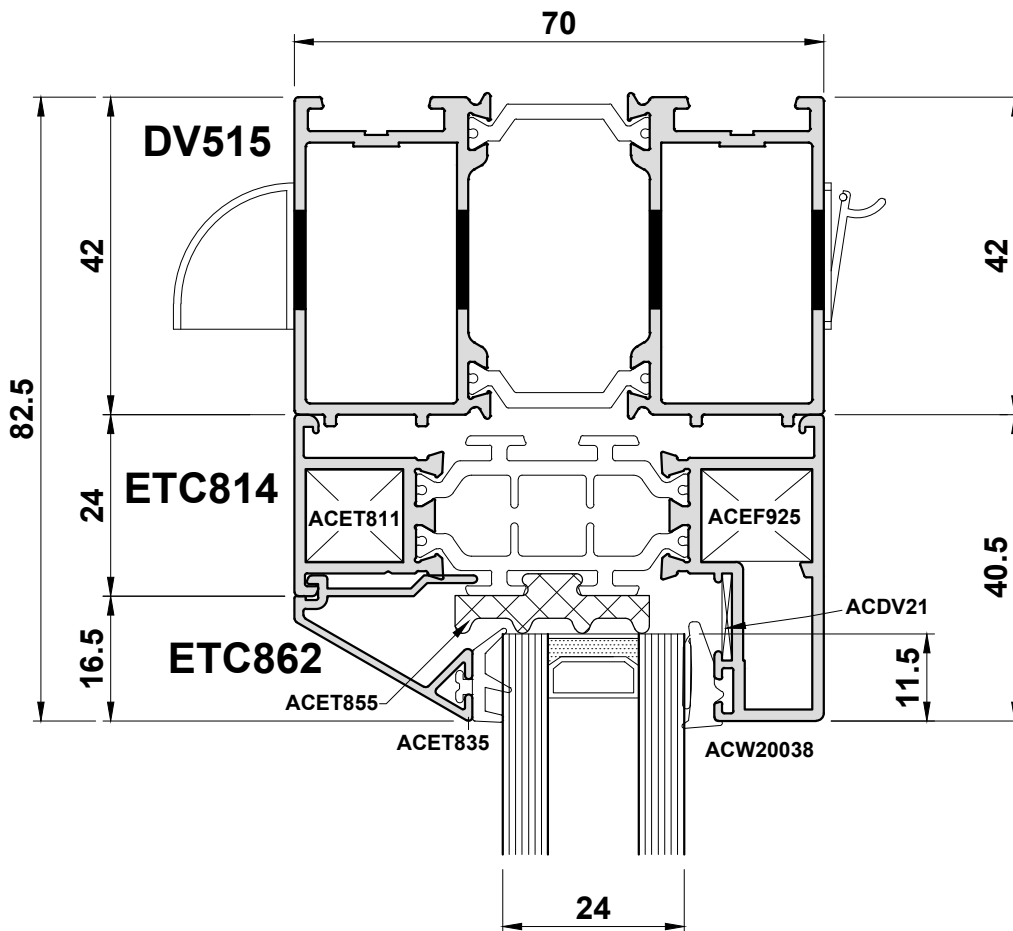
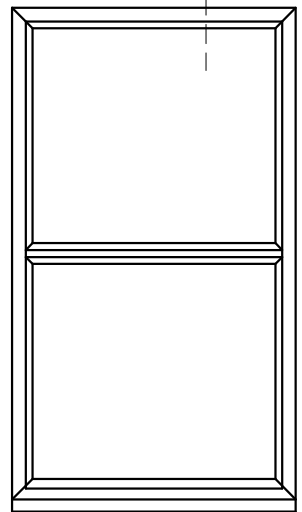
Do Not Scale From This Drawing

Detail 3B



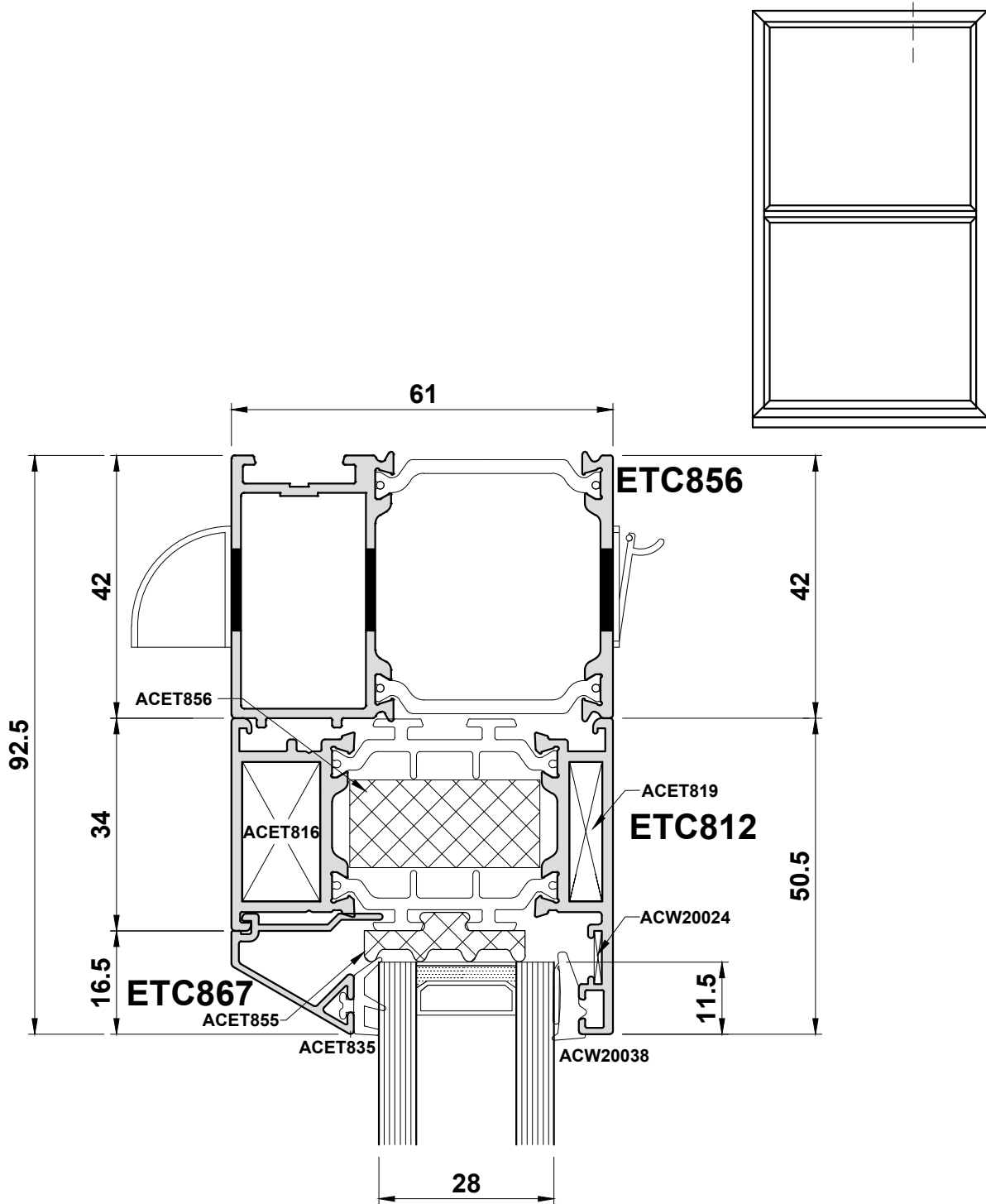
Do Not Scale From This Drawing

Detail 3C



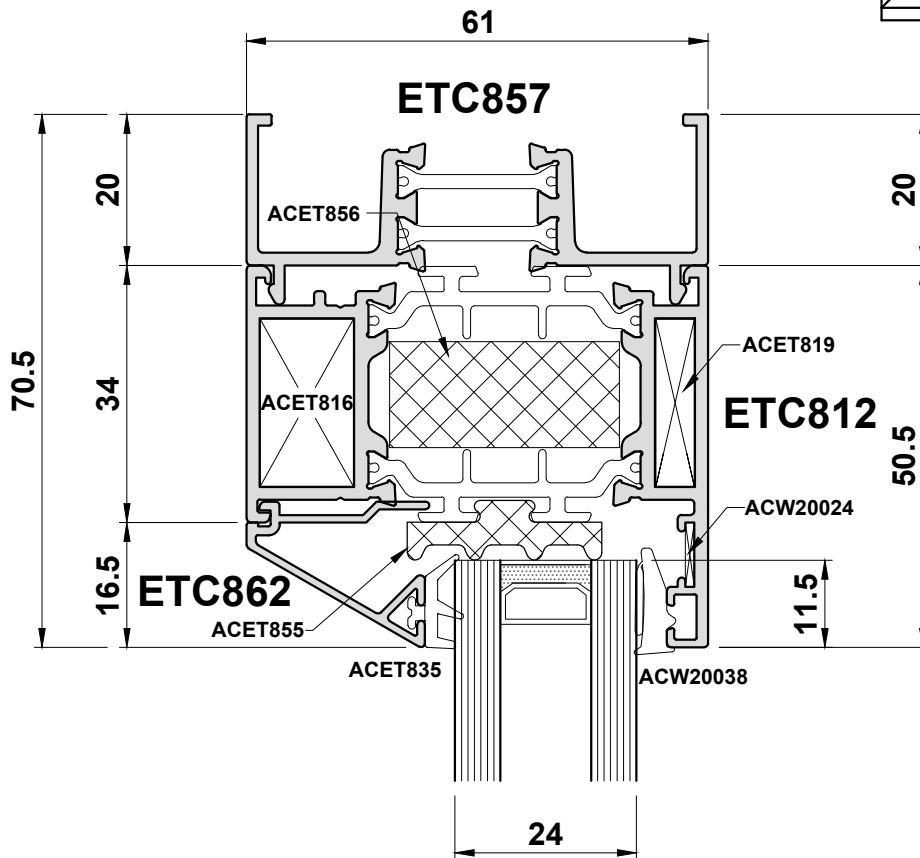
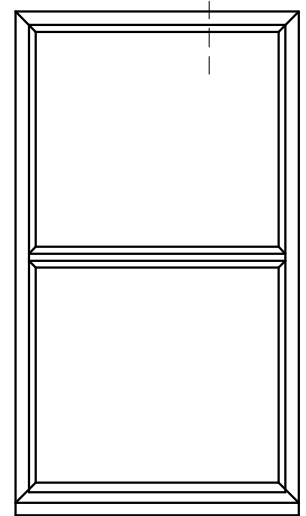
Do Not Scale From This Drawing

Detail 3D



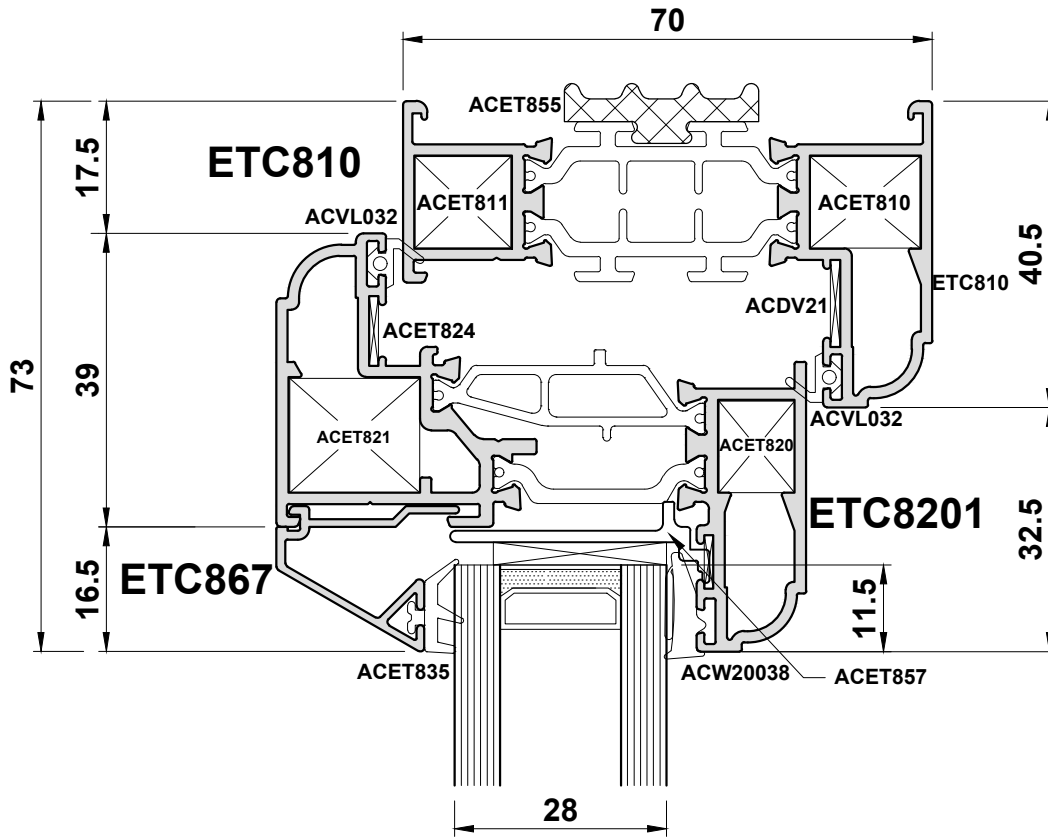
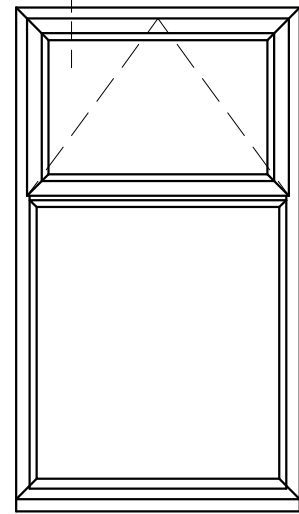
Do Not Scale From This Drawing

Detail 3E



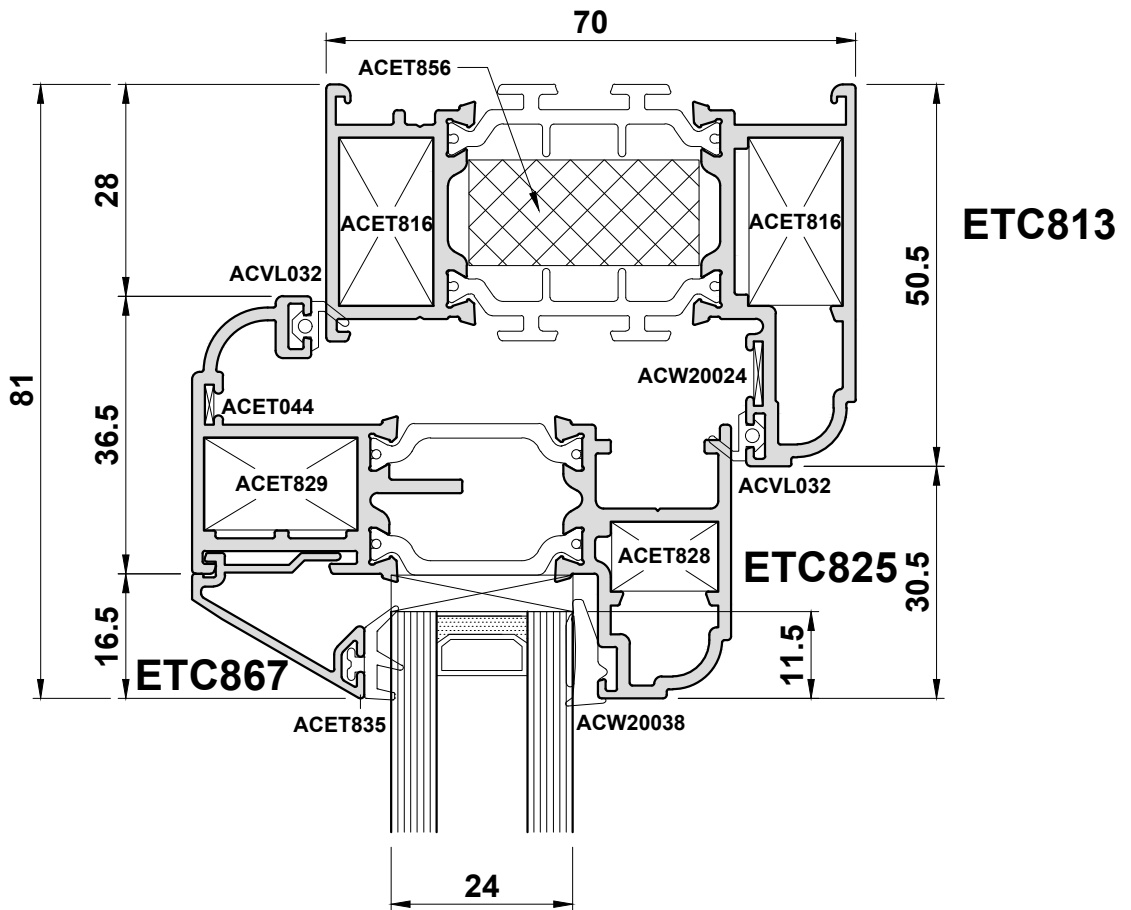
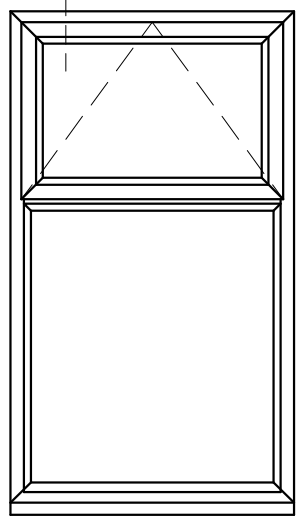
Do Not Scale From This Drawing

Detail 4A



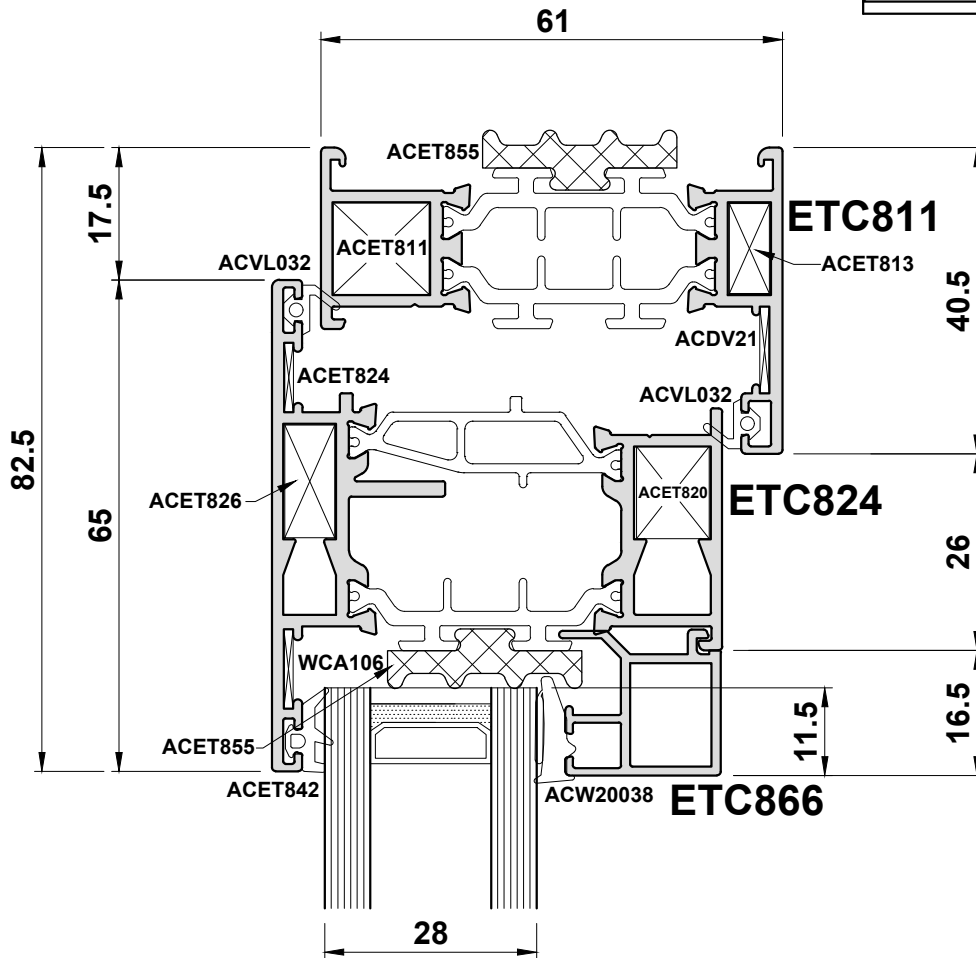
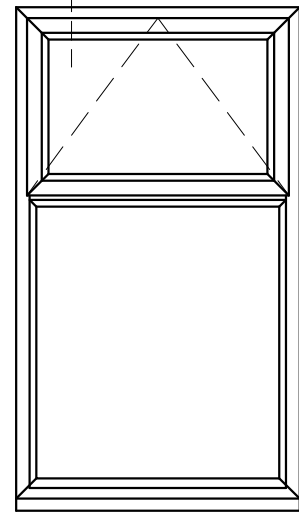
Do Not Scale From This Drawing

Detail 4B



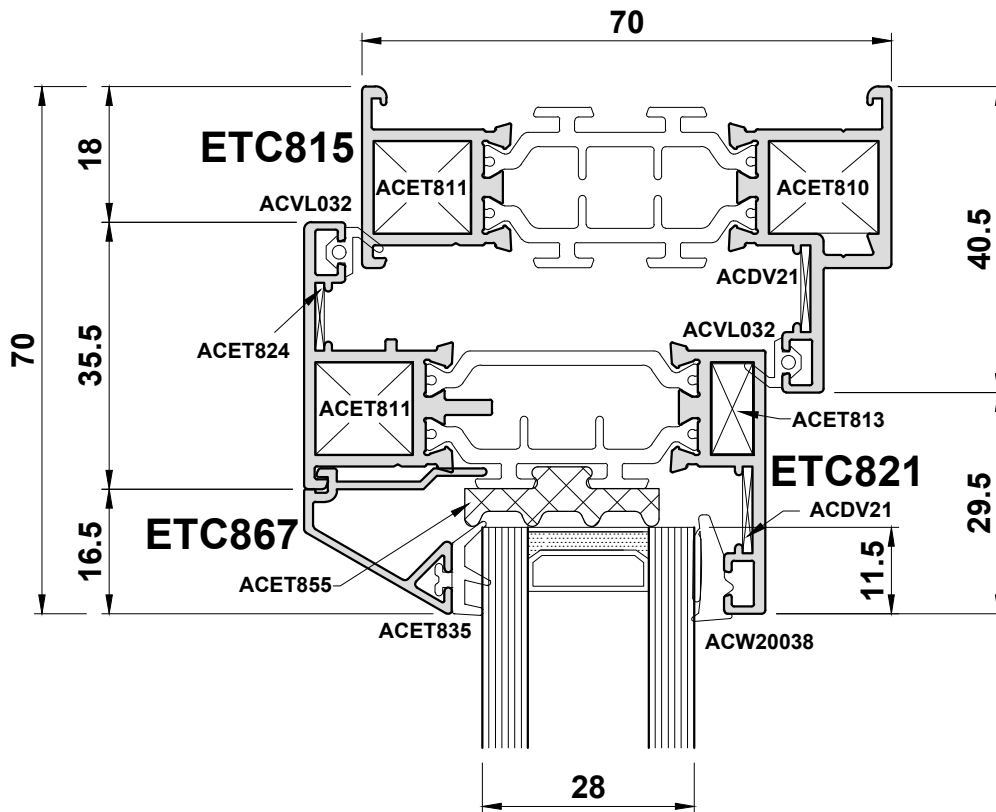
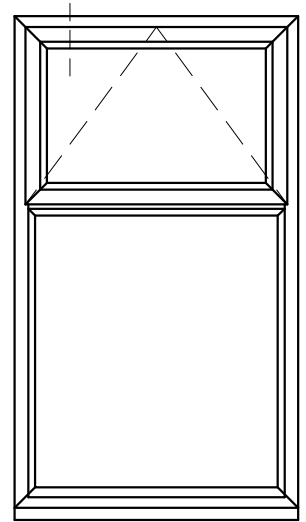
Do Not Scale From This Drawing

Detail 4C



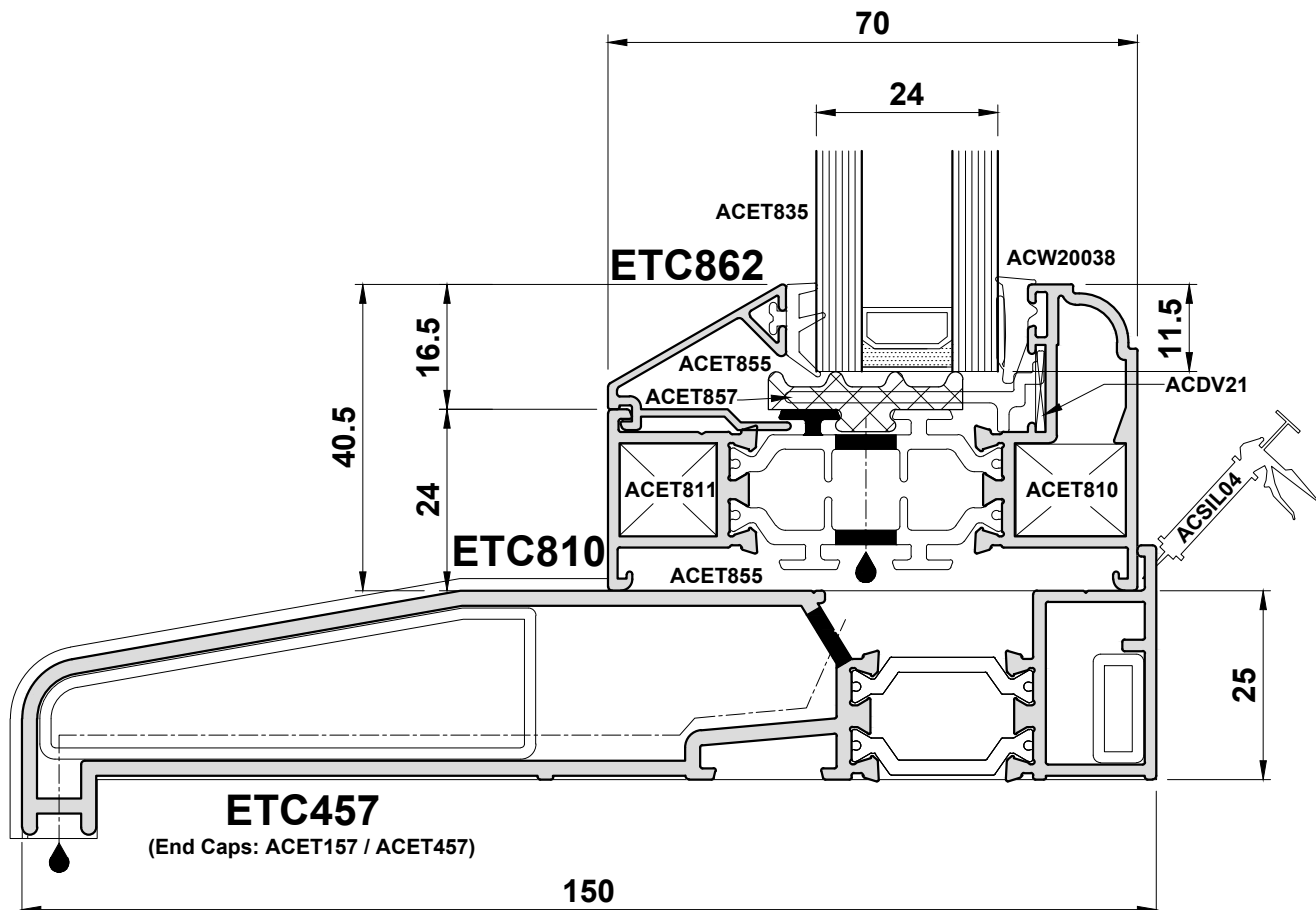
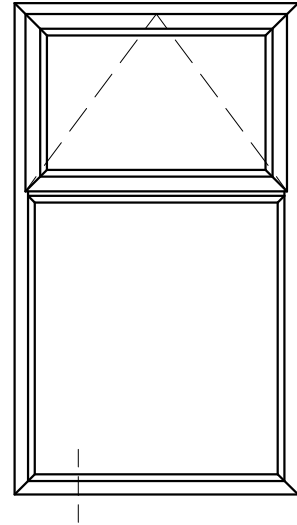
Do Not Scale From This Drawing

Detail 4D



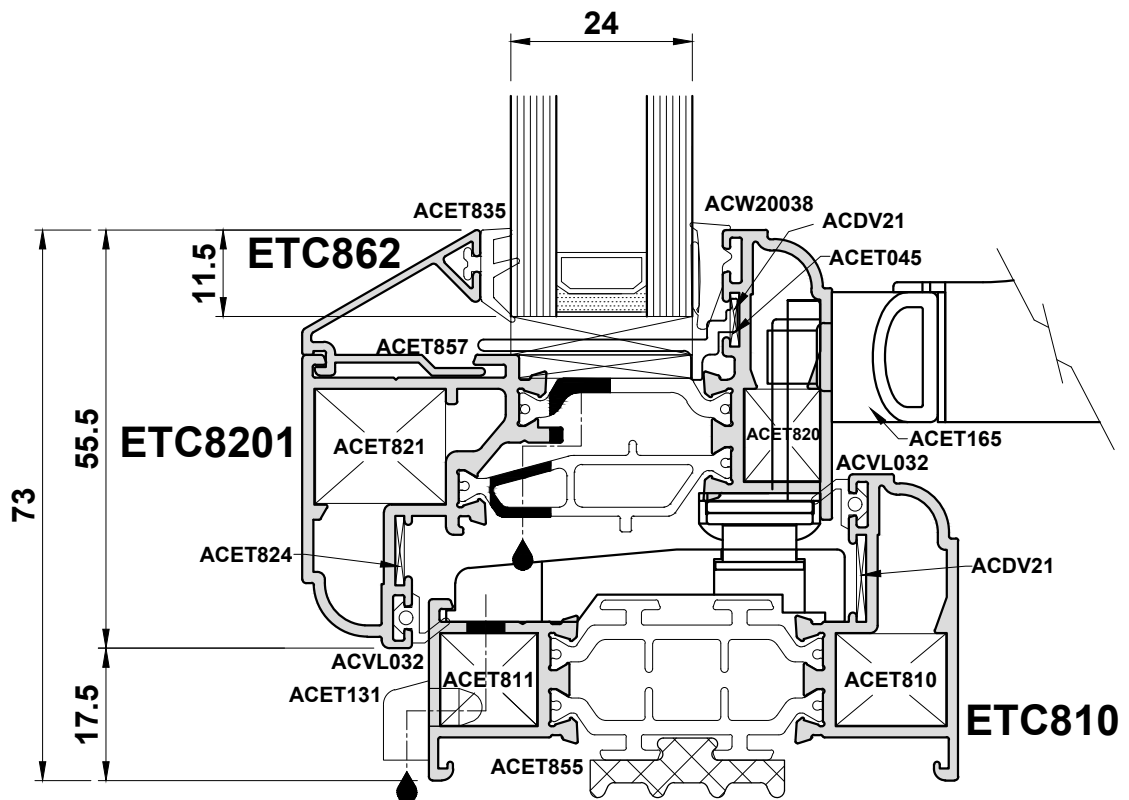
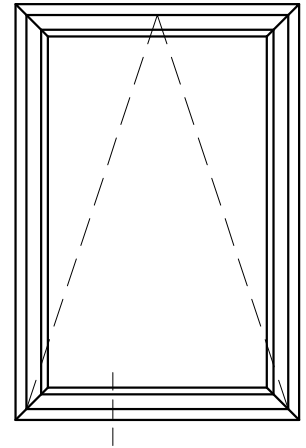
Do Not Scale From This Drawing

Detail 5A



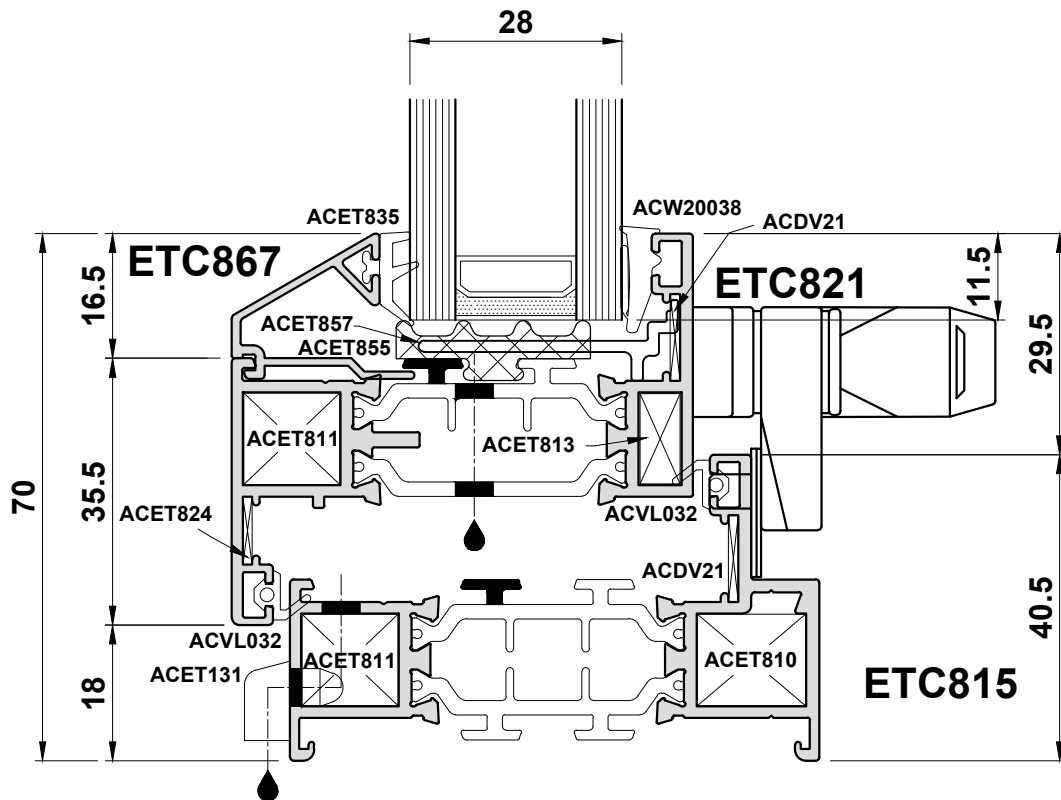
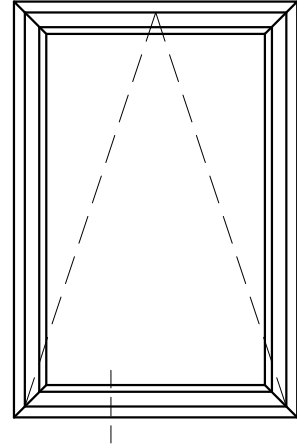
Do Not Scale From This Drawing

Detail 6A



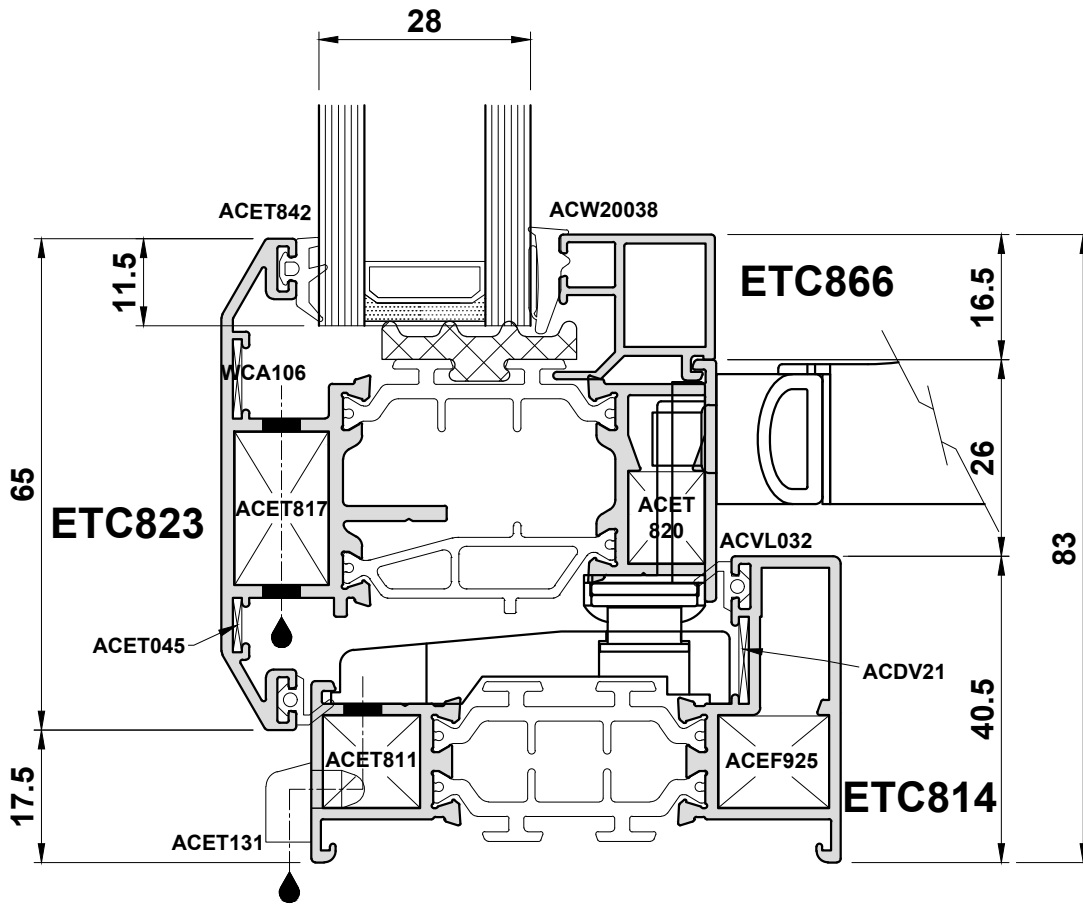
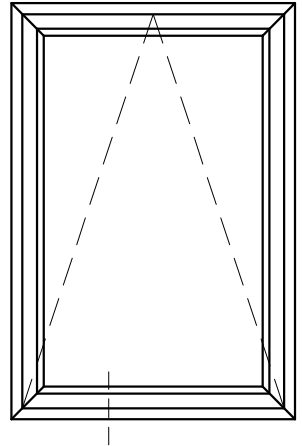
Do Not Scale From This Drawing

Detail 6B



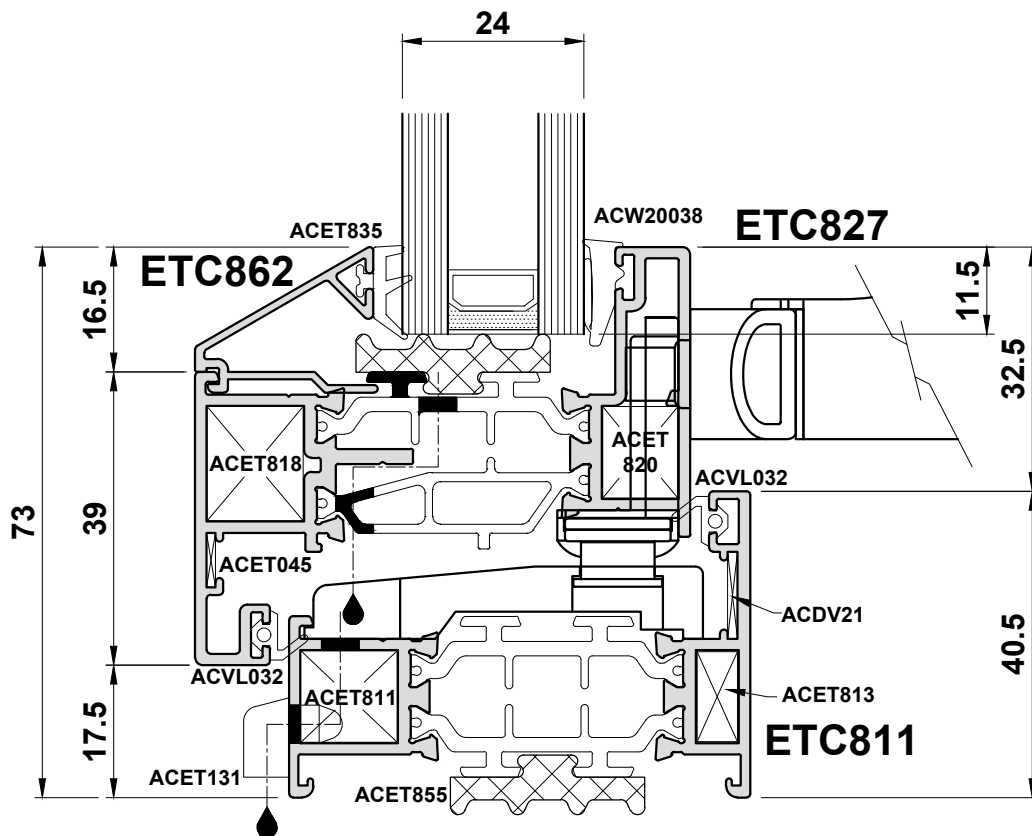
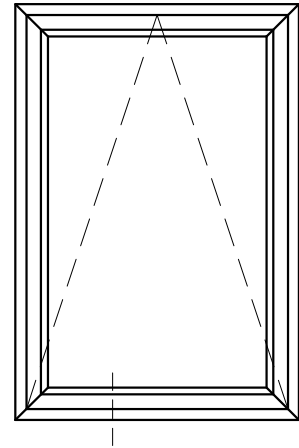
Do Not Scale From This Drawing

Detail 6C



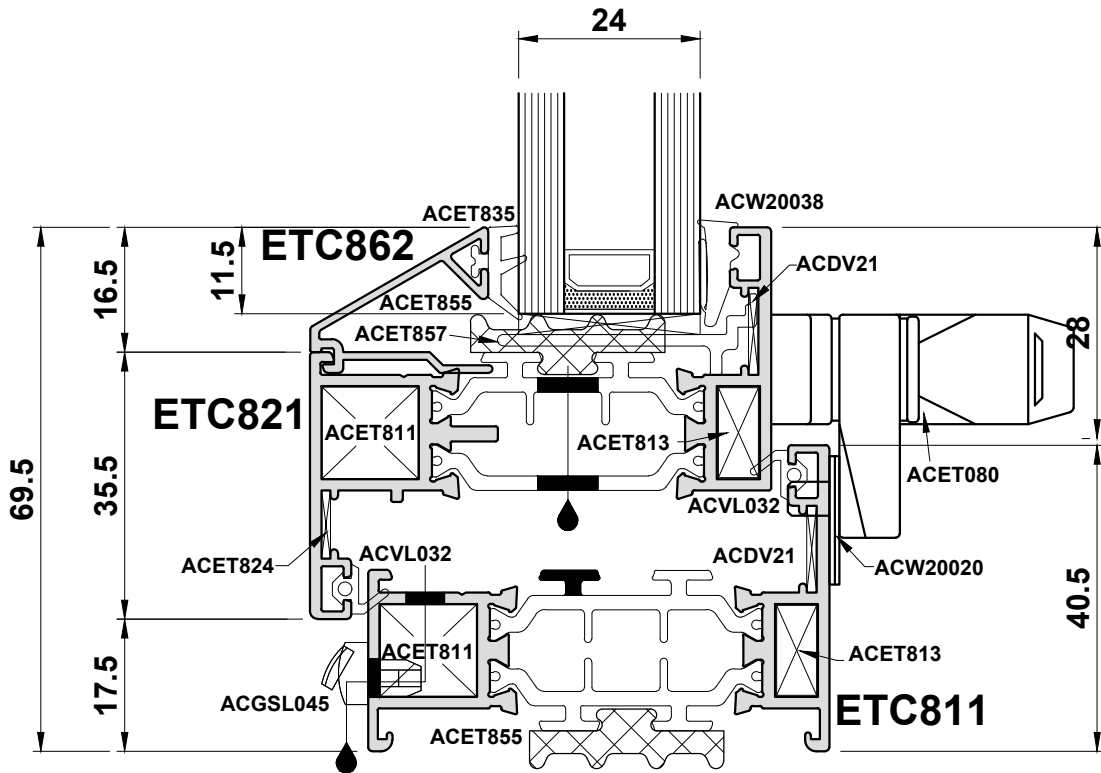
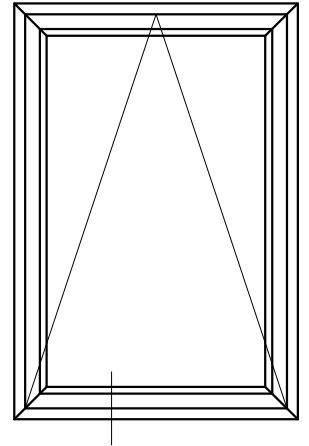
Do Not Scale From This Drawing

Detail 6D



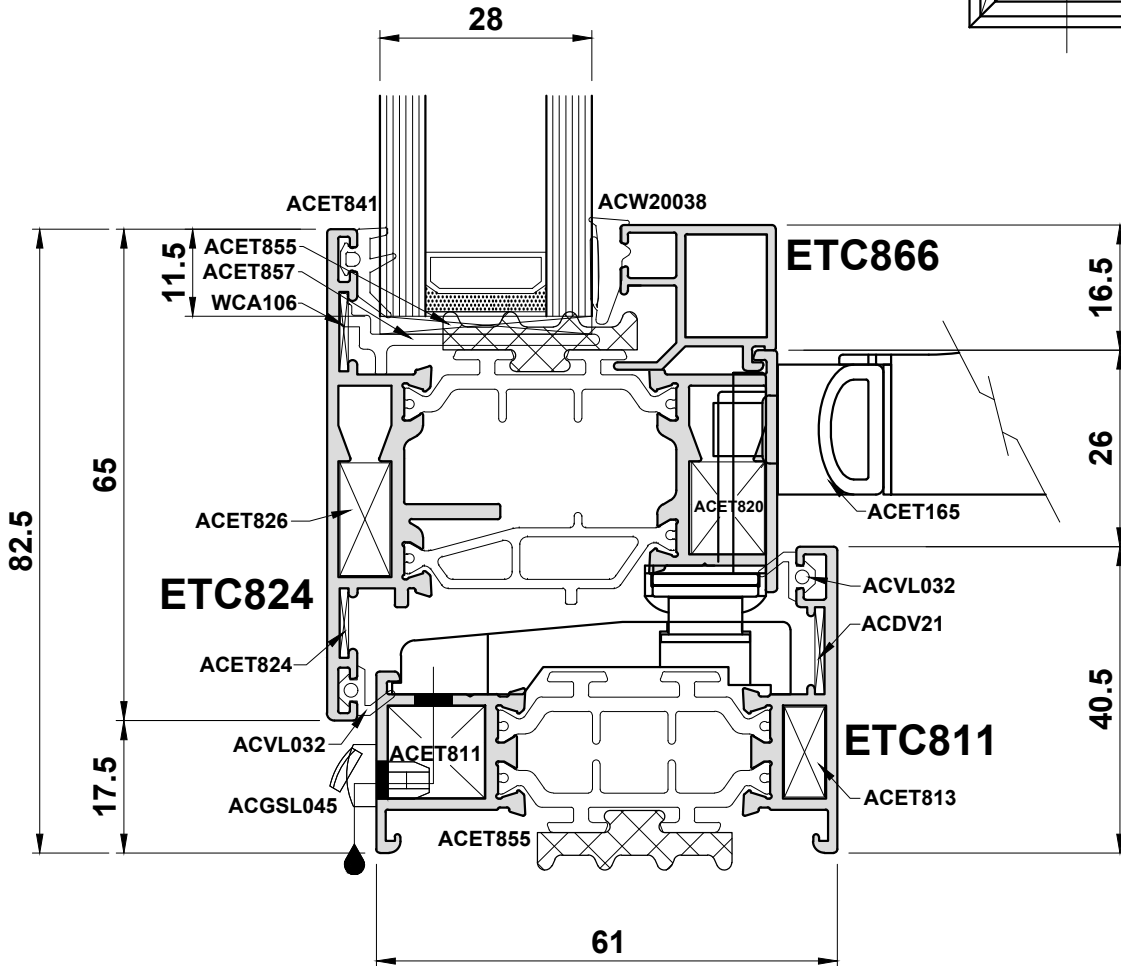
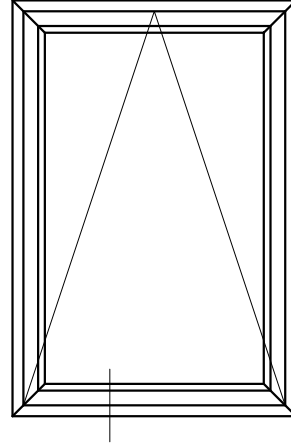
Do Not Scale From This Drawing

Detail 6E



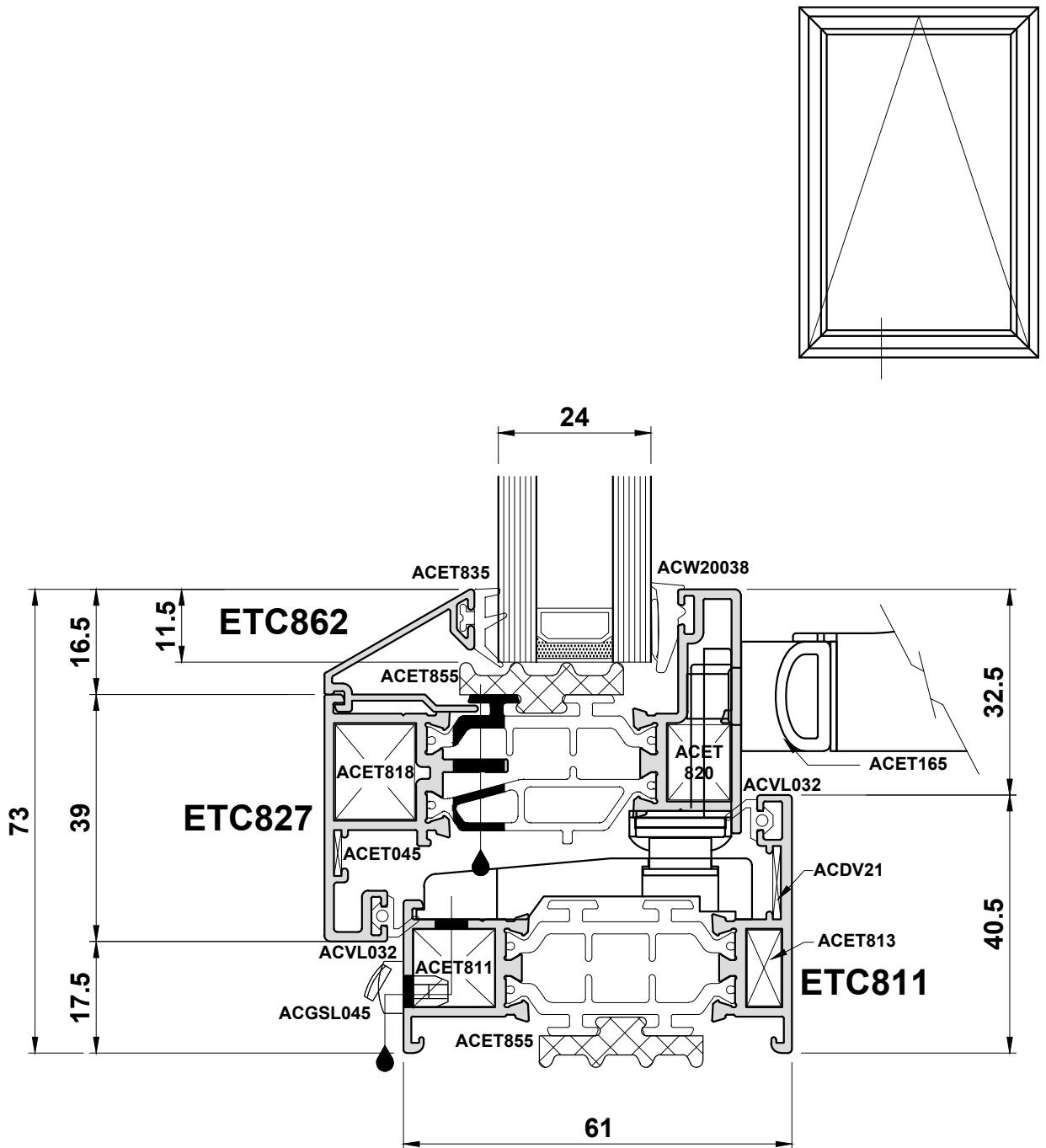
Do Not Scale From This Drawing

Detail 6F



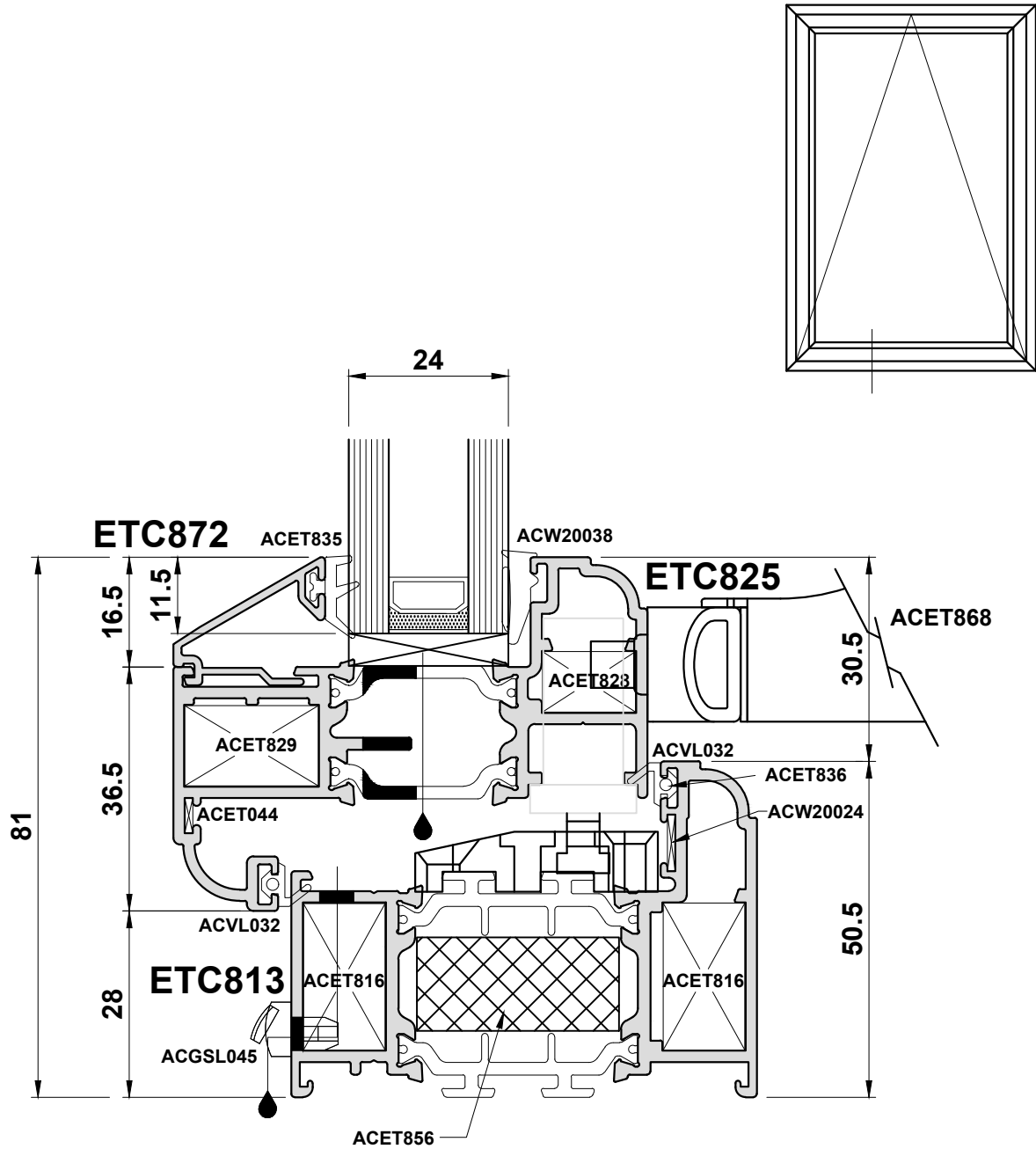
Do Not Scale From This Drawing

Detail 6G



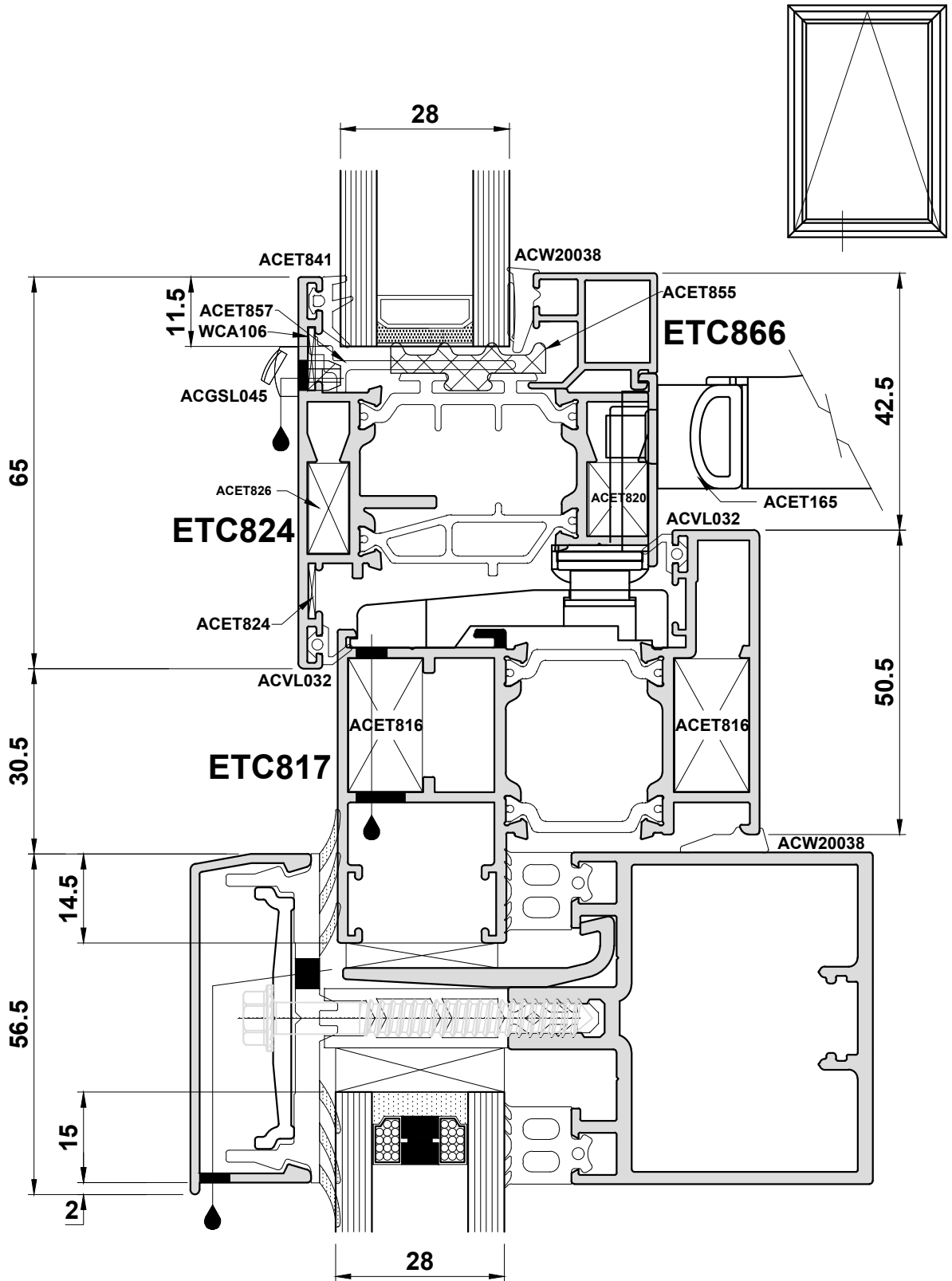
Do Not Scale From This Drawing

Detail 6H



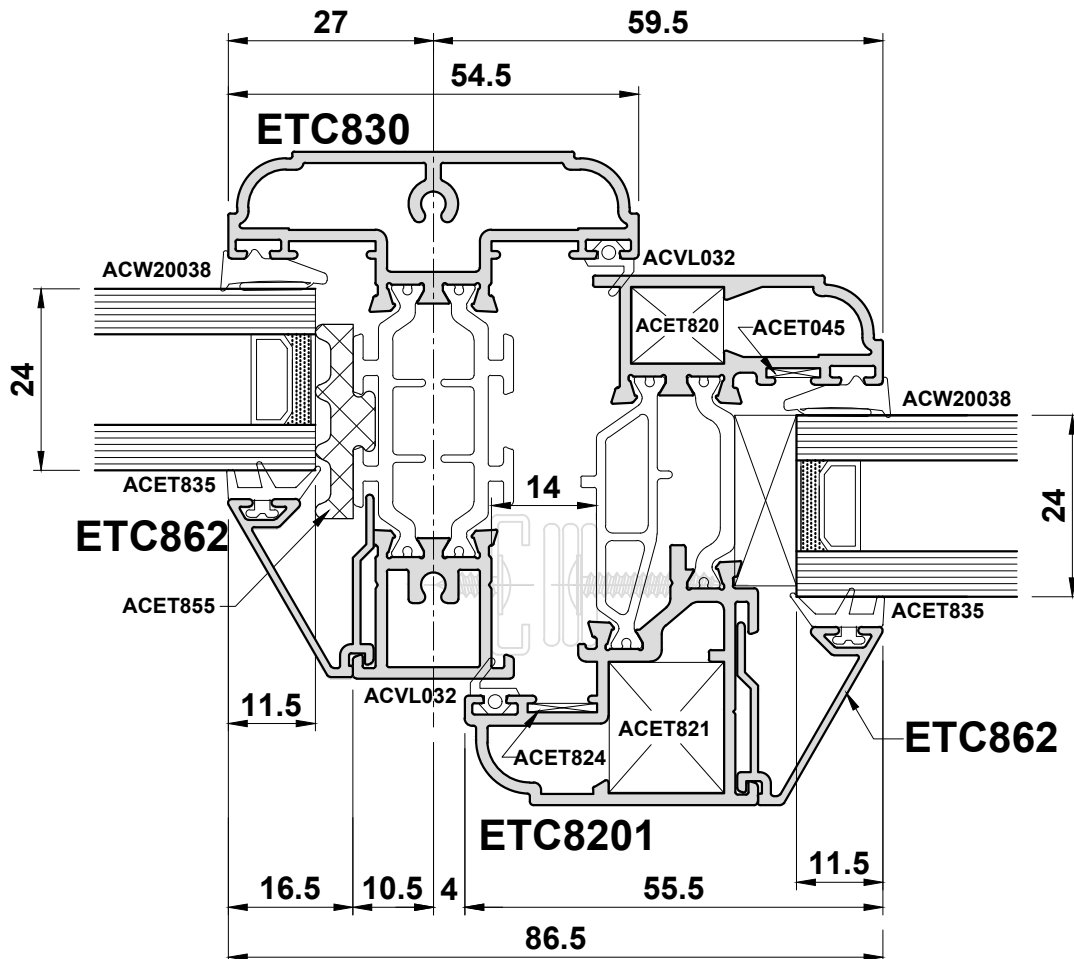
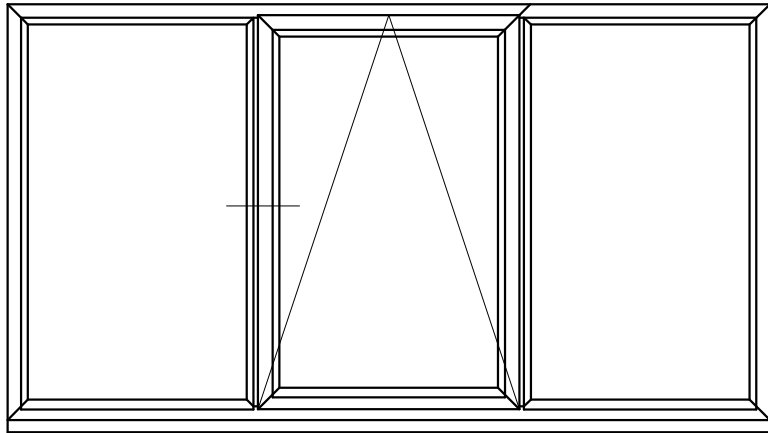
Do Not Scale From This Drawing

Detail 6I



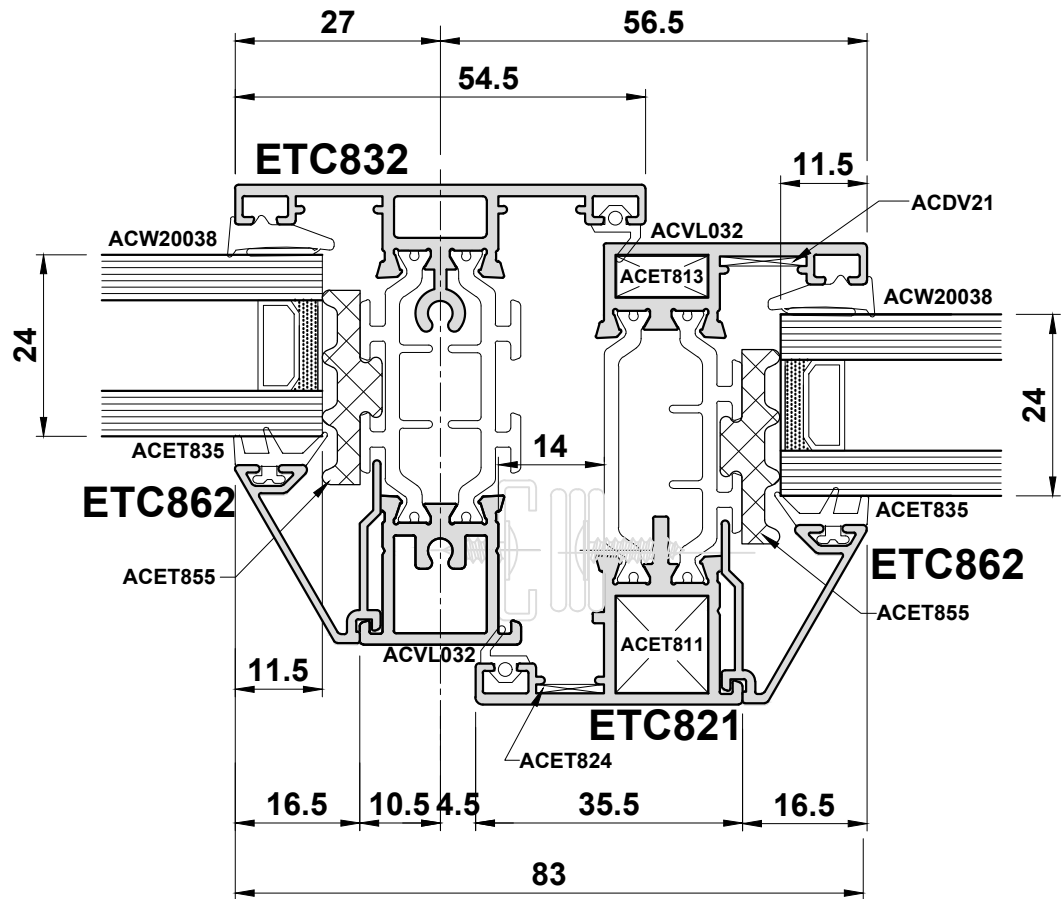
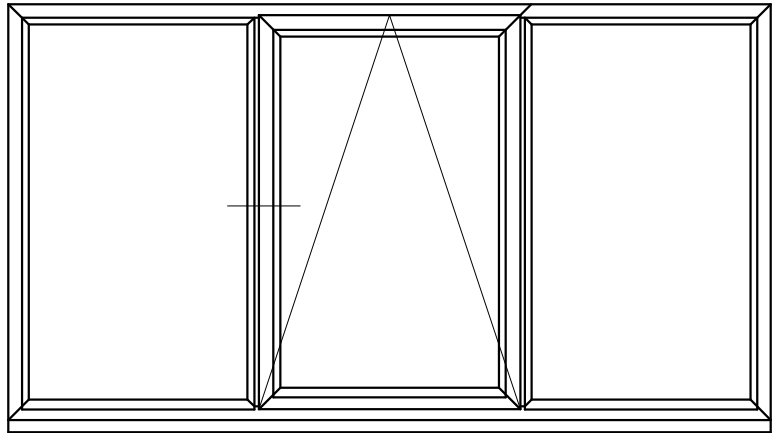
Do Not Scale From This Drawing

Detail 7A



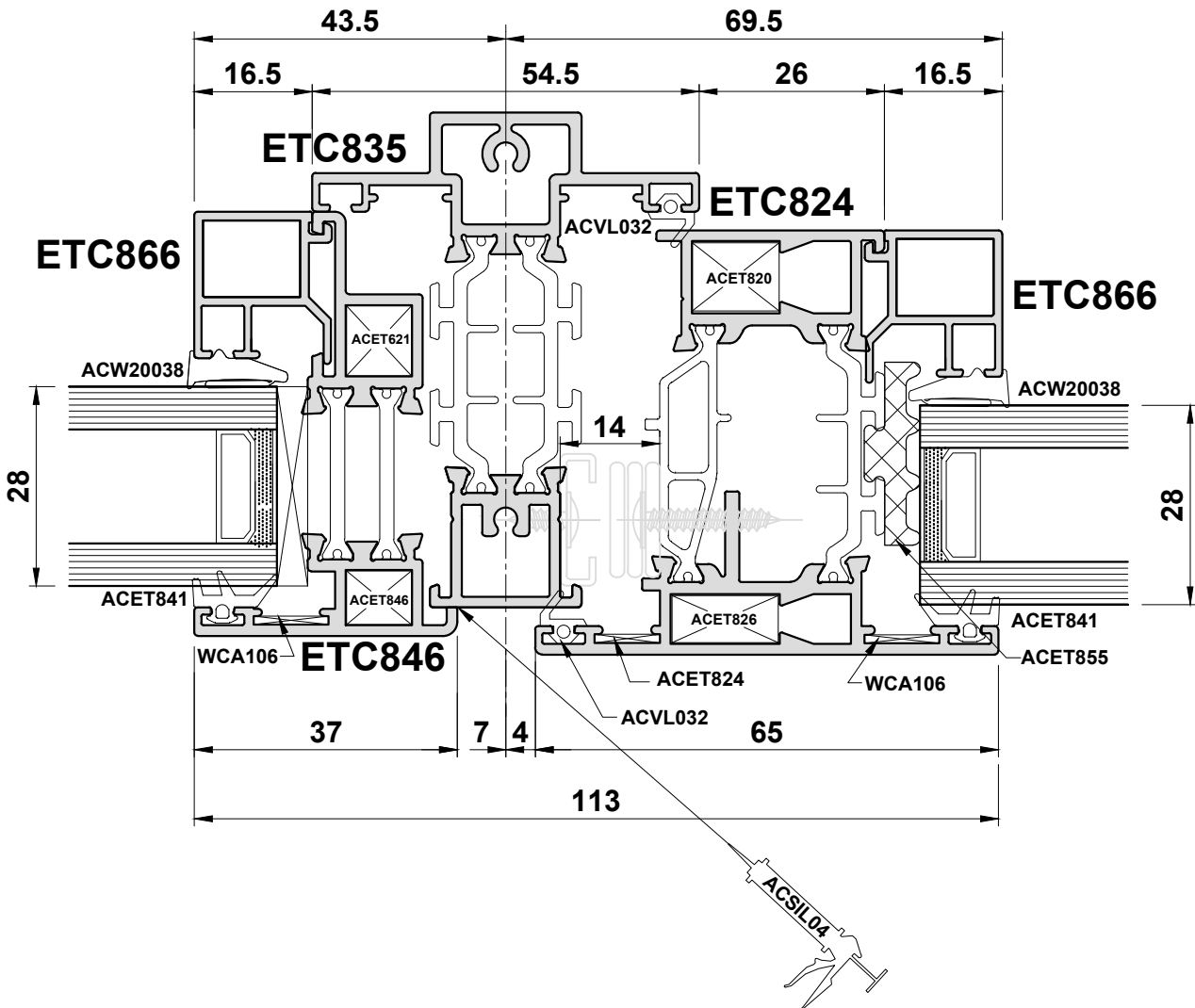
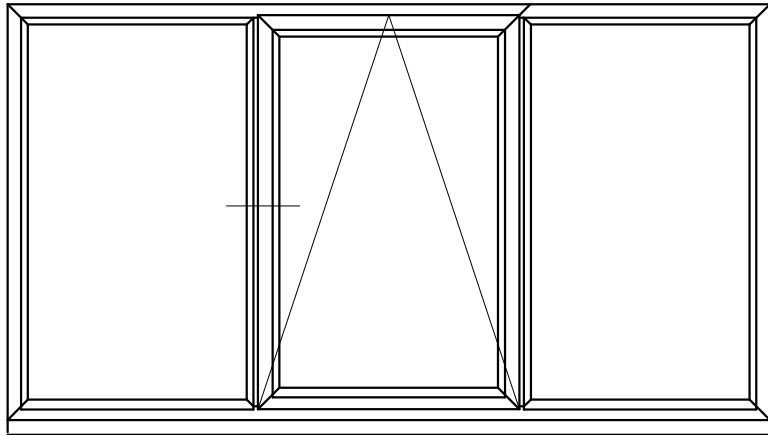
Do Not Scale From This Drawing

Detail 7B



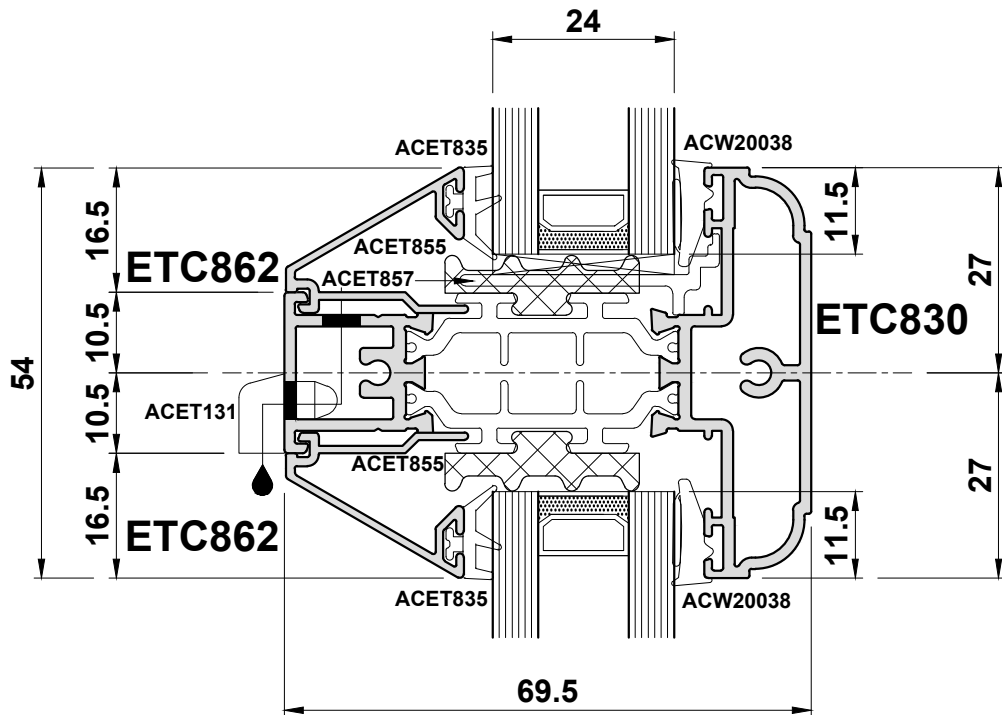
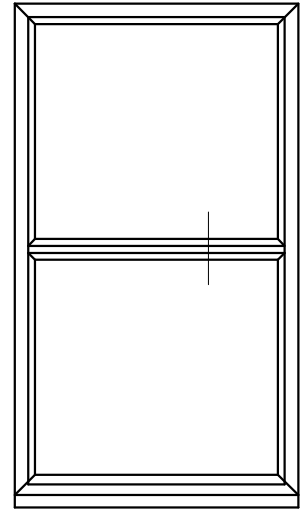
Do Not Scale From This Drawing

Detail 7C



Do Not Scale From This Drawing

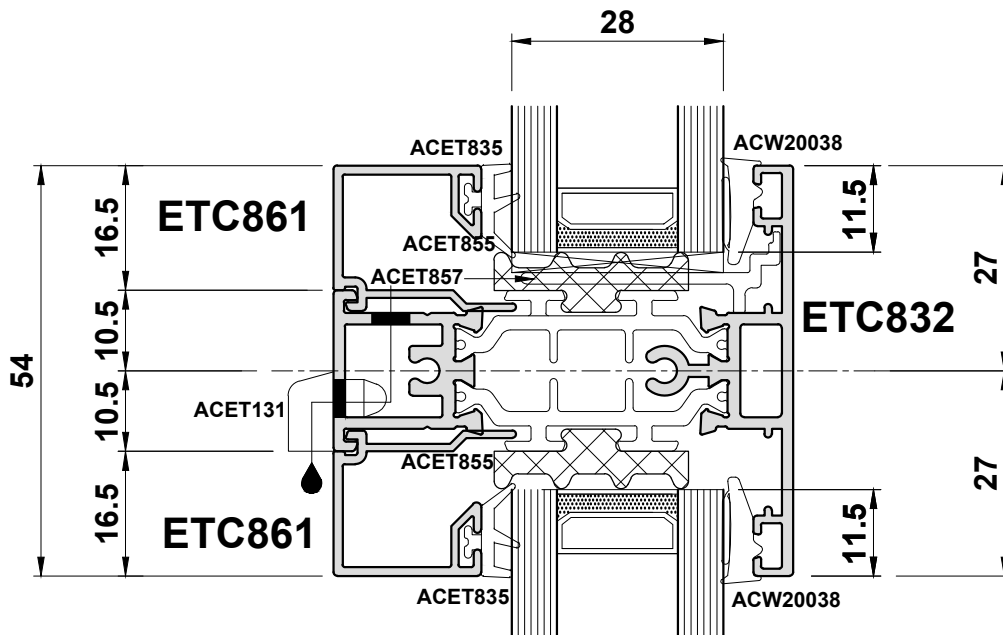
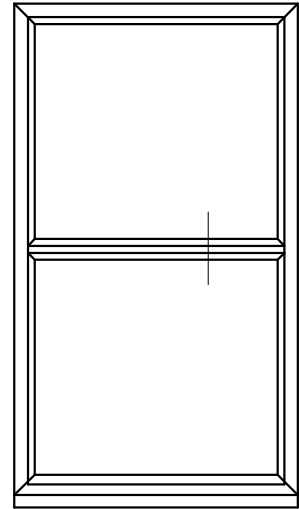
Detail 8A



Note: Transoms will also drain through the joint to the outerframe

Do Not Scale From This Drawing

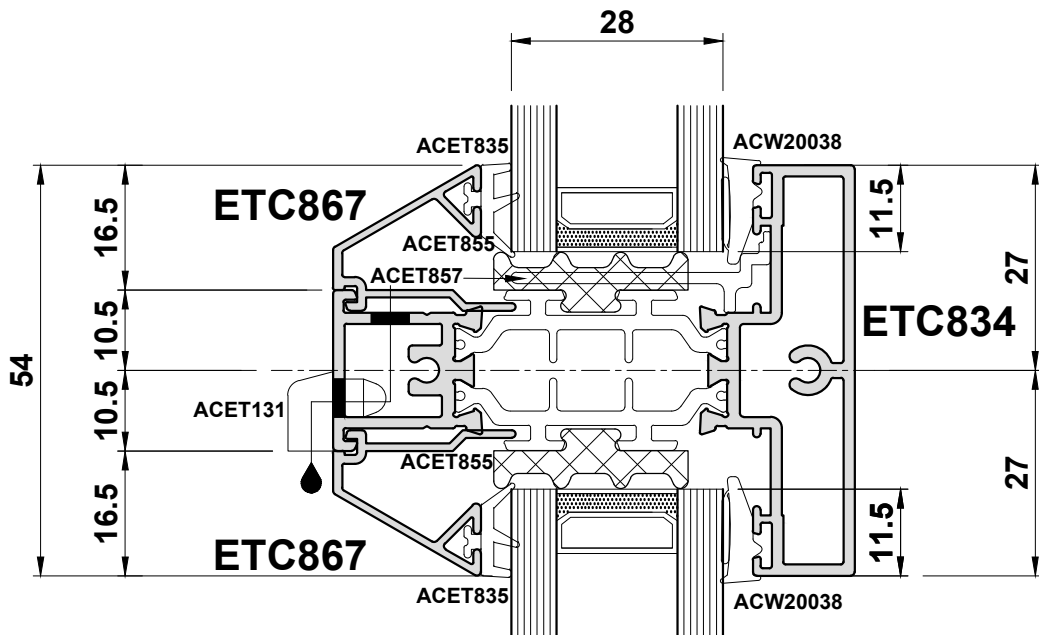
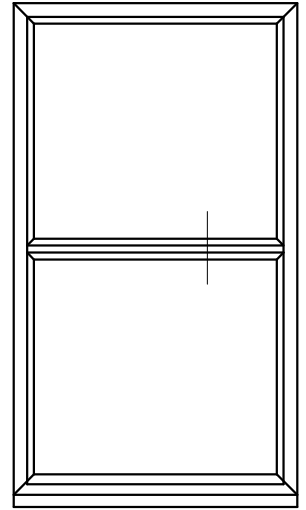
Detail 8B



Note: Transoms will also drain through the join to the outerframe

Do Not Scale From This Drawing

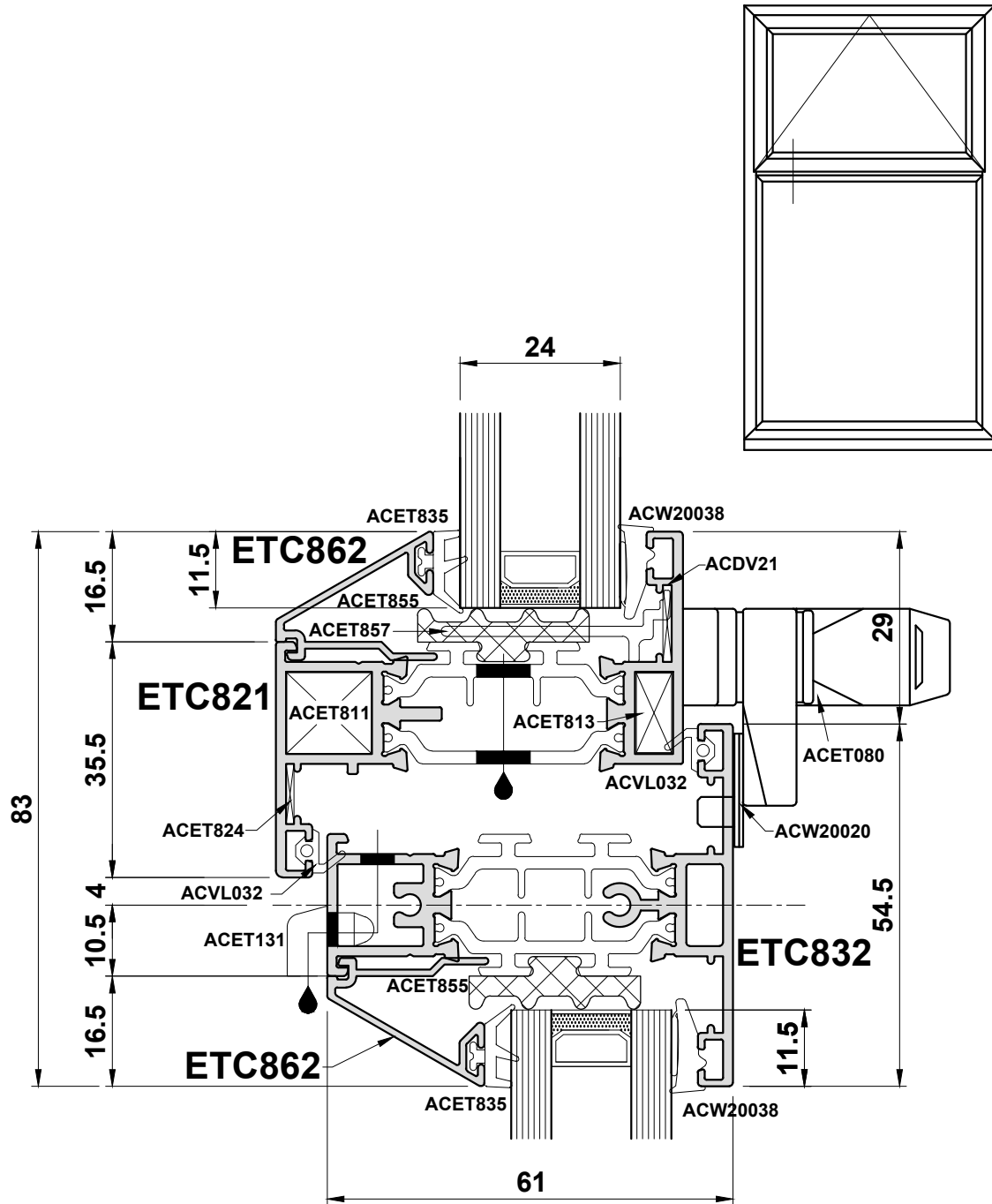
Detail 8C



Note: Transoms will also drain through the join to the outerframe

Do Not Scale From This Drawing

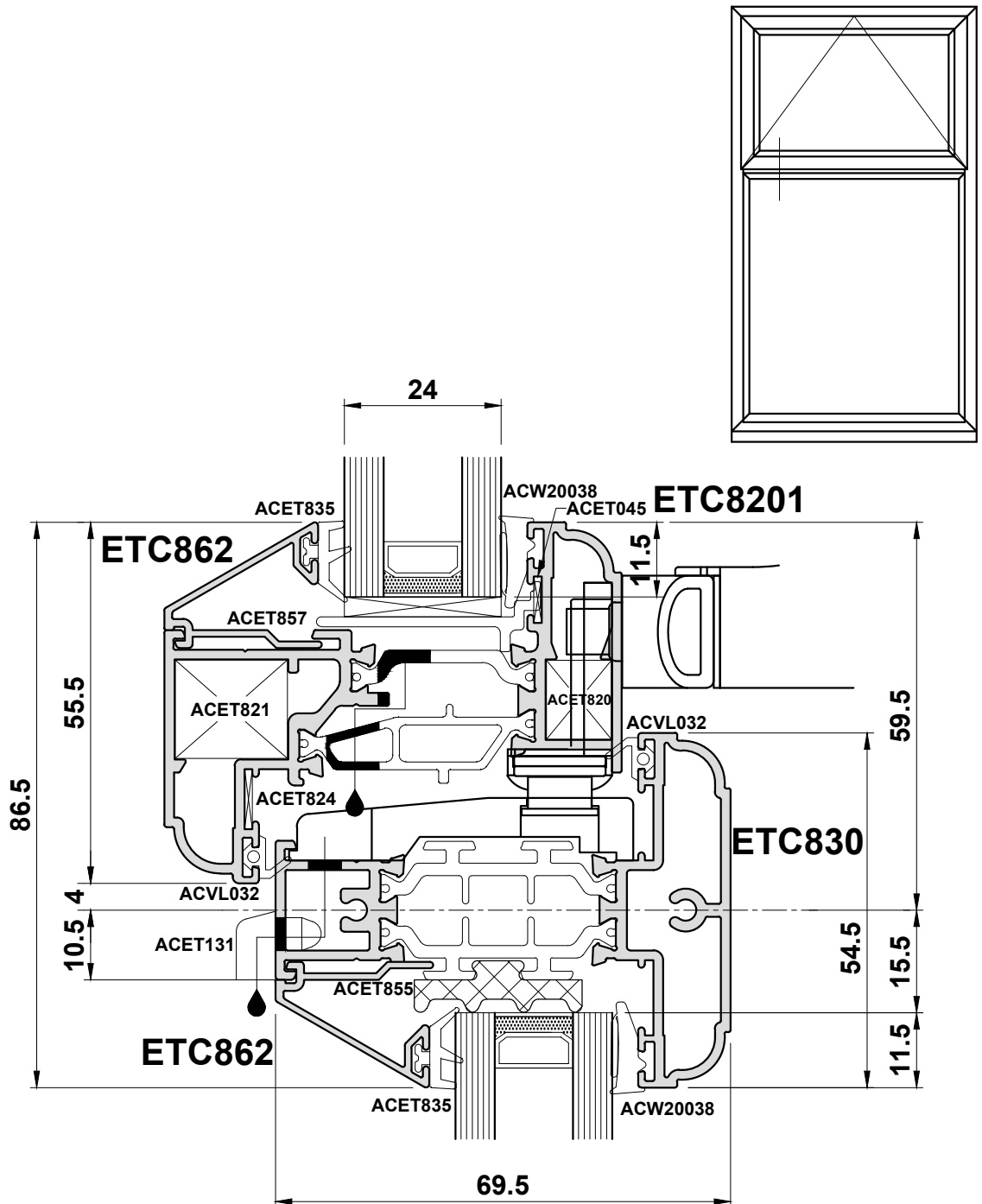
Detail 9A



Note: Transoms will also drain through the join to the outerframe

Do Not Scale From This Drawing

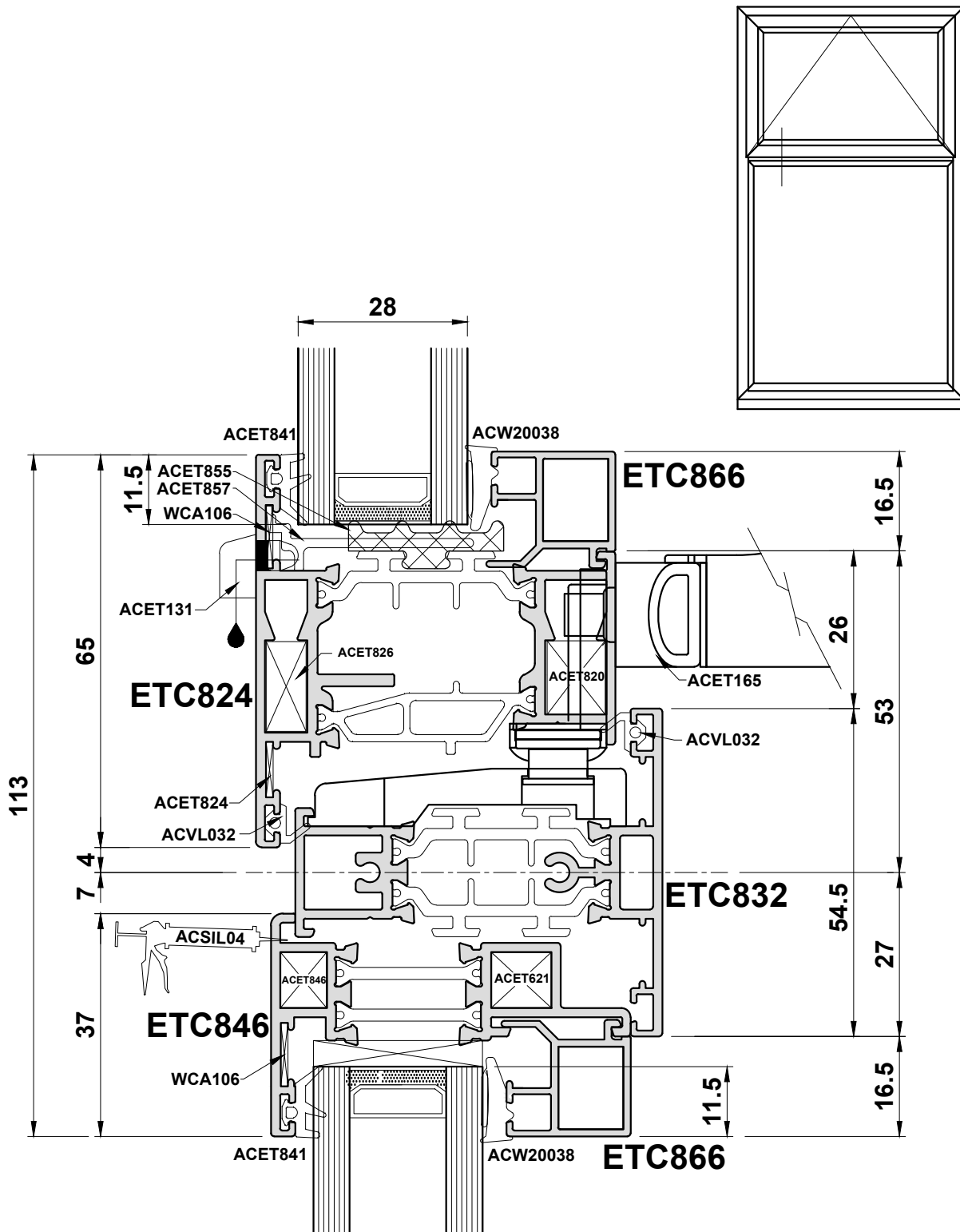
Detail 9B



Note: Transoms will also drain through the join to the outerframe

Do Not Scale From This Drawing

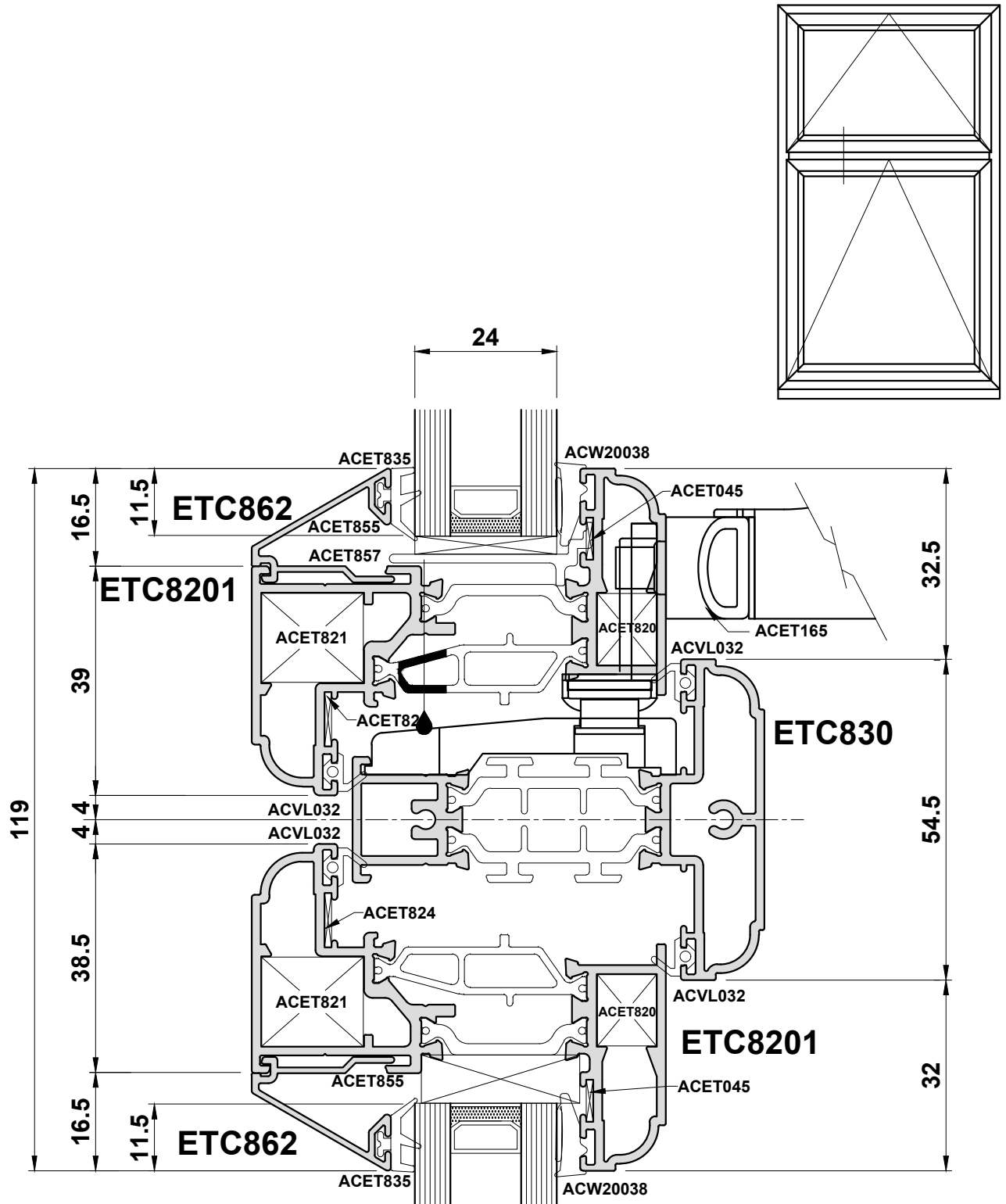
Detail 9C



Note: Transoms will also drain through the joint to the outerframe

Do Not Scale From This Drawing

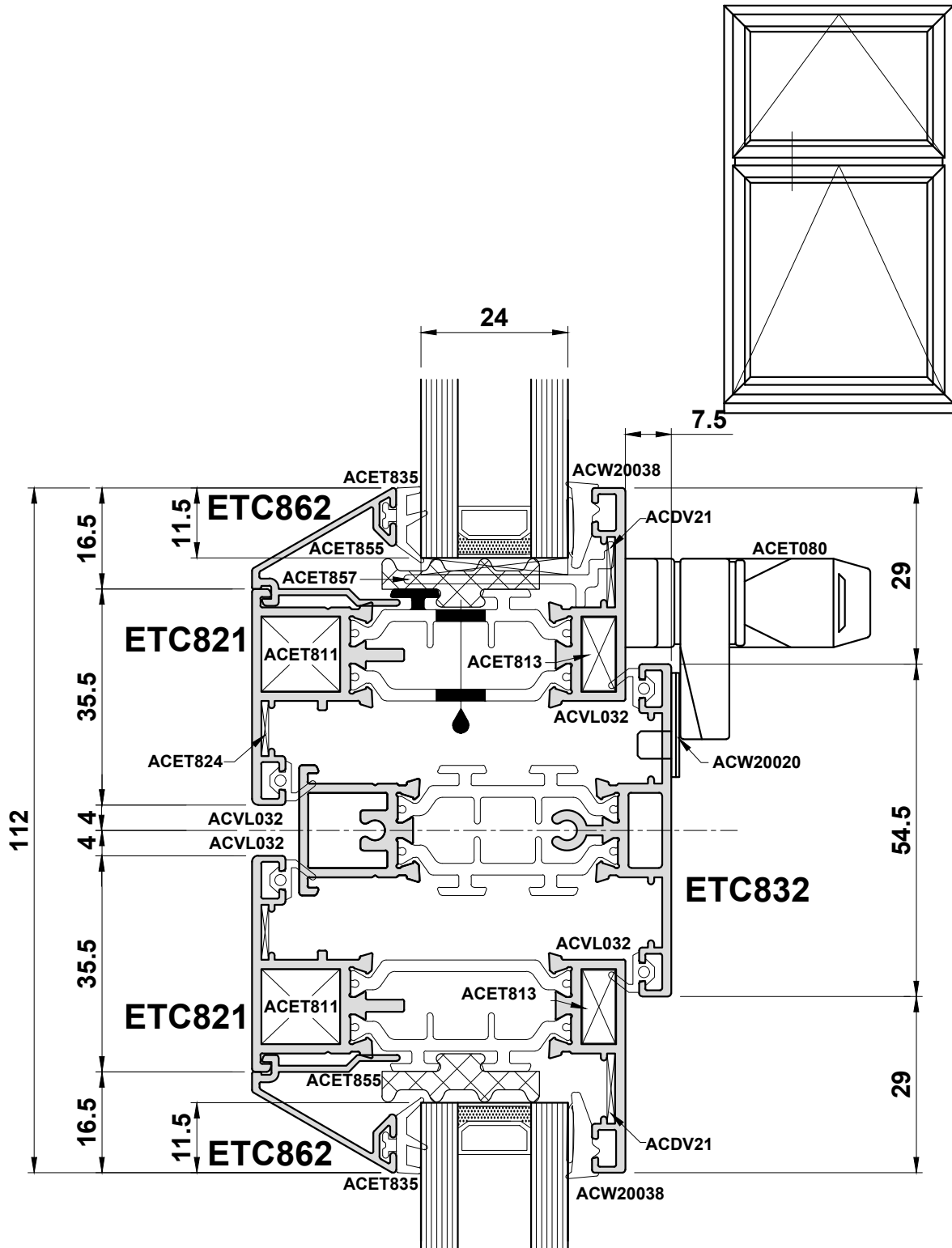
Detail 9D



Note: Transoms will also drain through the join to the outerframe

Do Not Scale From This Drawing

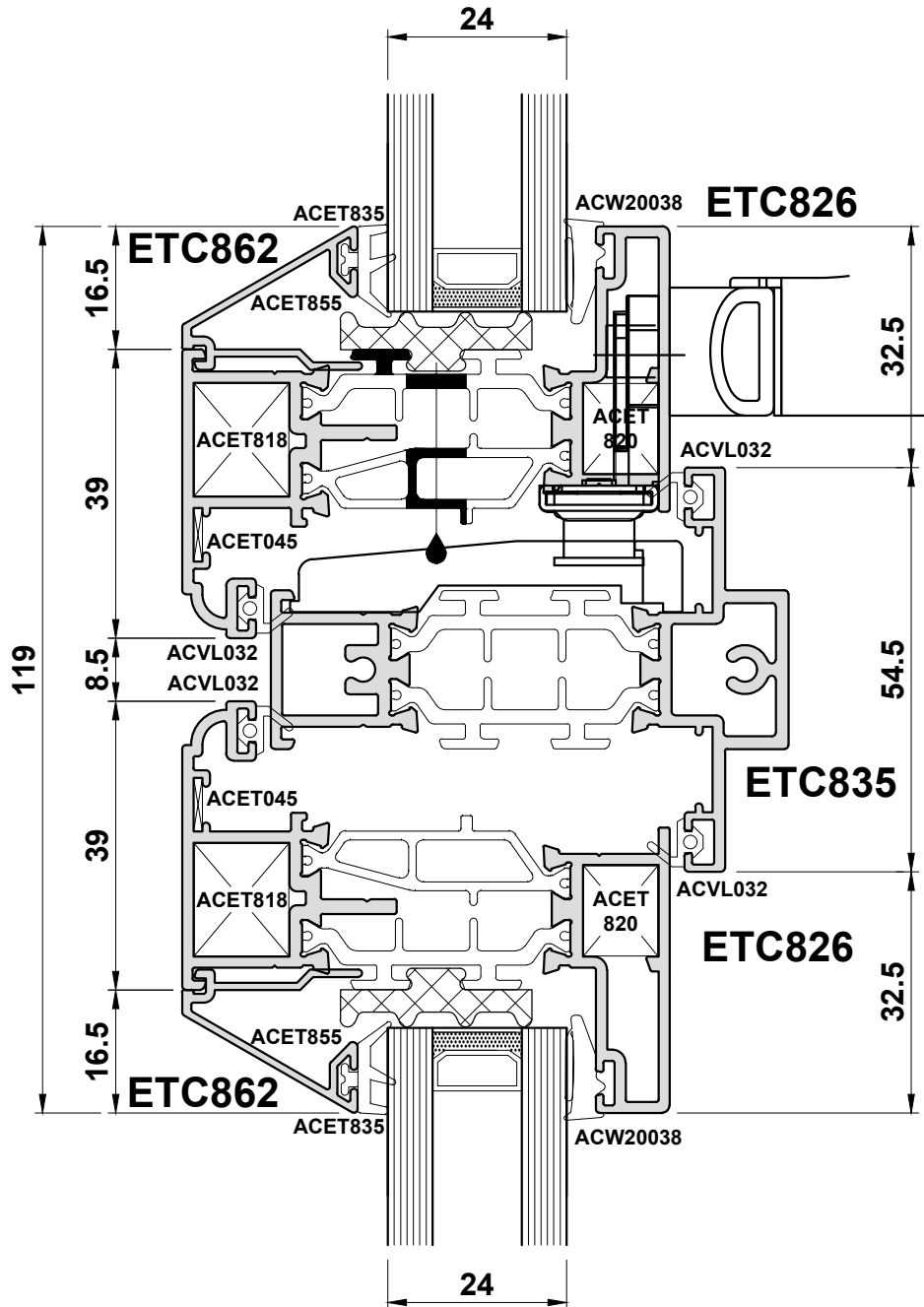
Detail 10A



Note: Transoms will also drain through the join to the outerframe

Do Not Scale From This Drawing

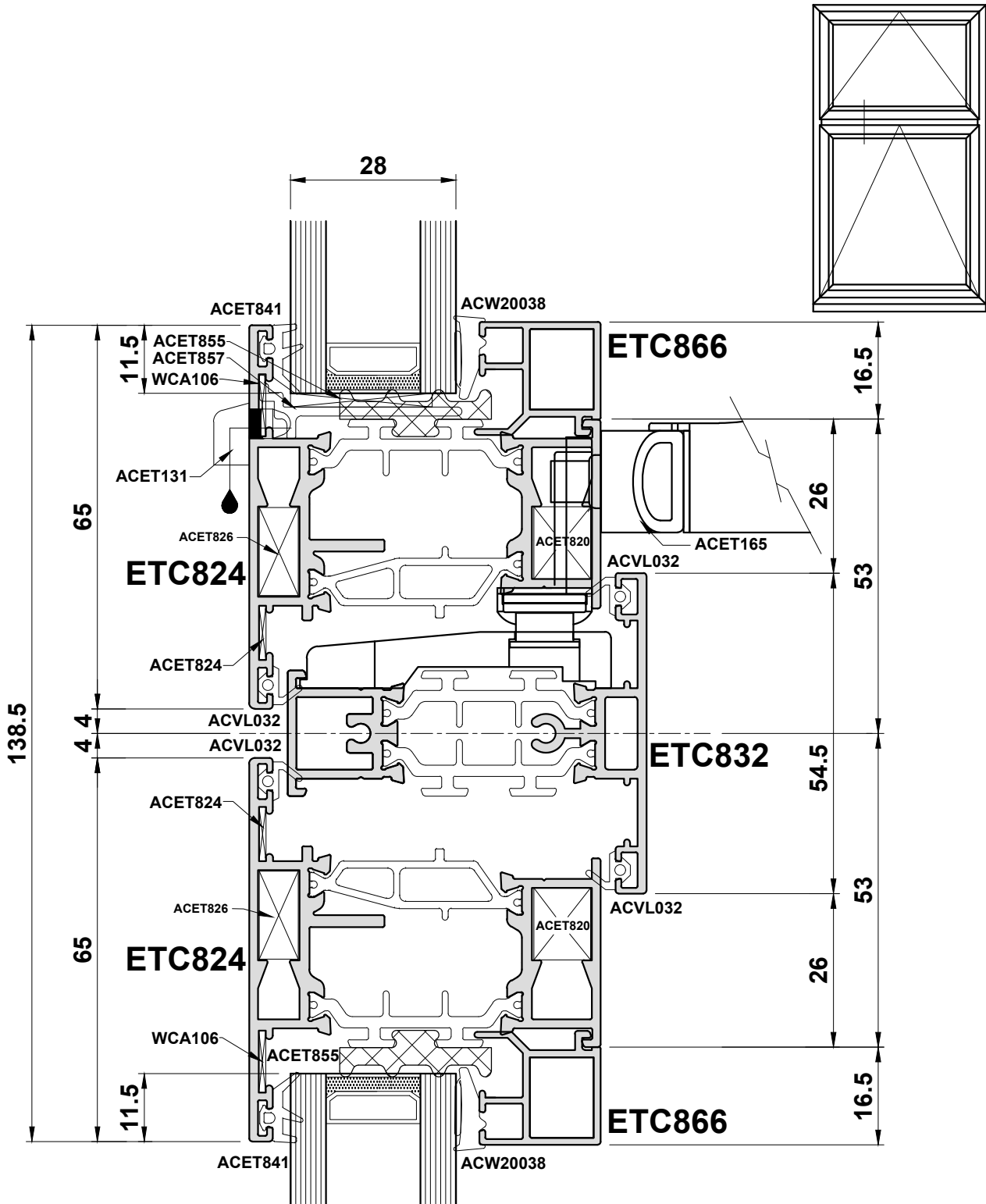
Detail 10B



Note: Transoms will also drain through the join to the outerframe

Do Not Scale From This Drawing

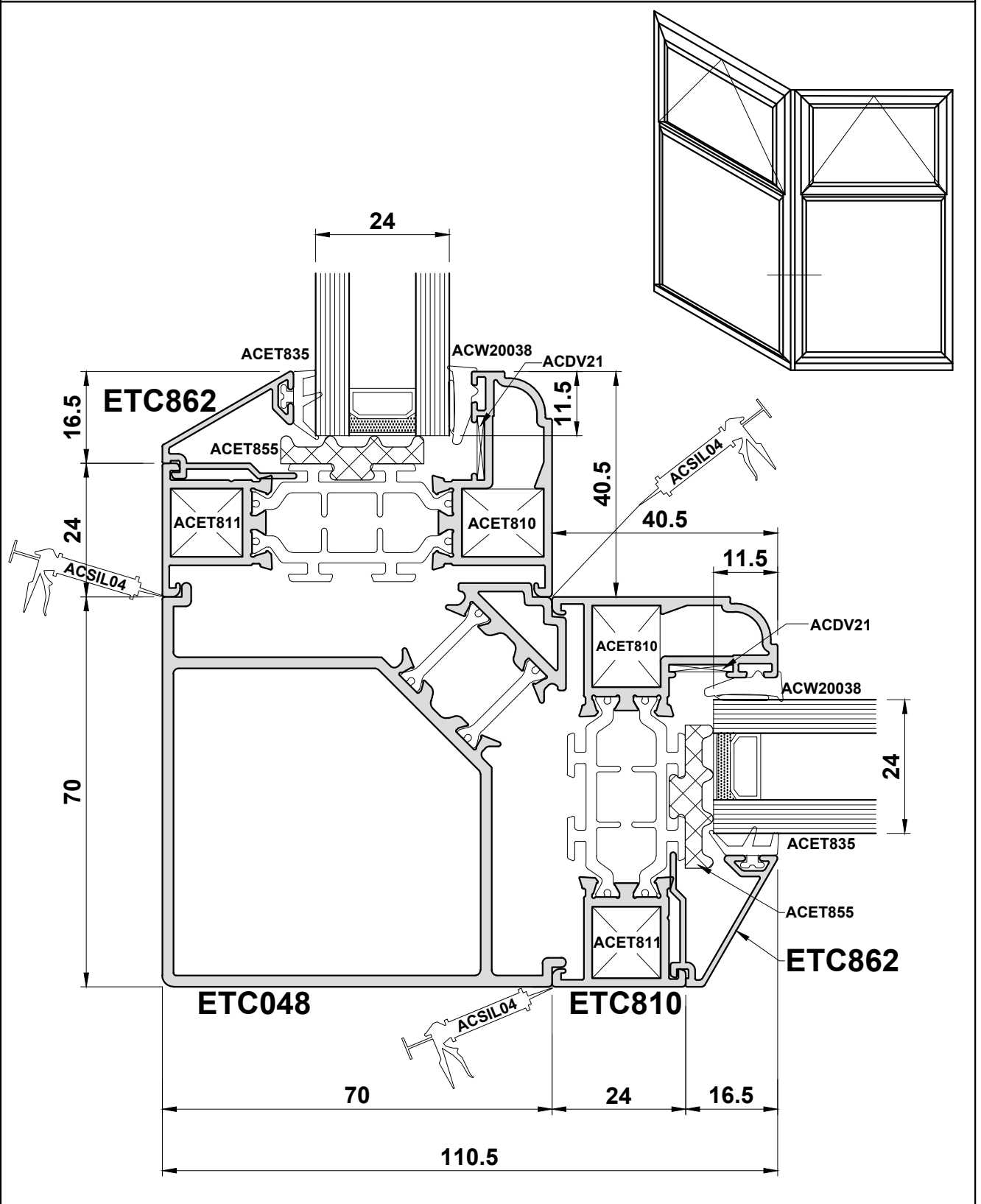
Detail 10C



Note: Transoms will also drain through the join to the outerframe

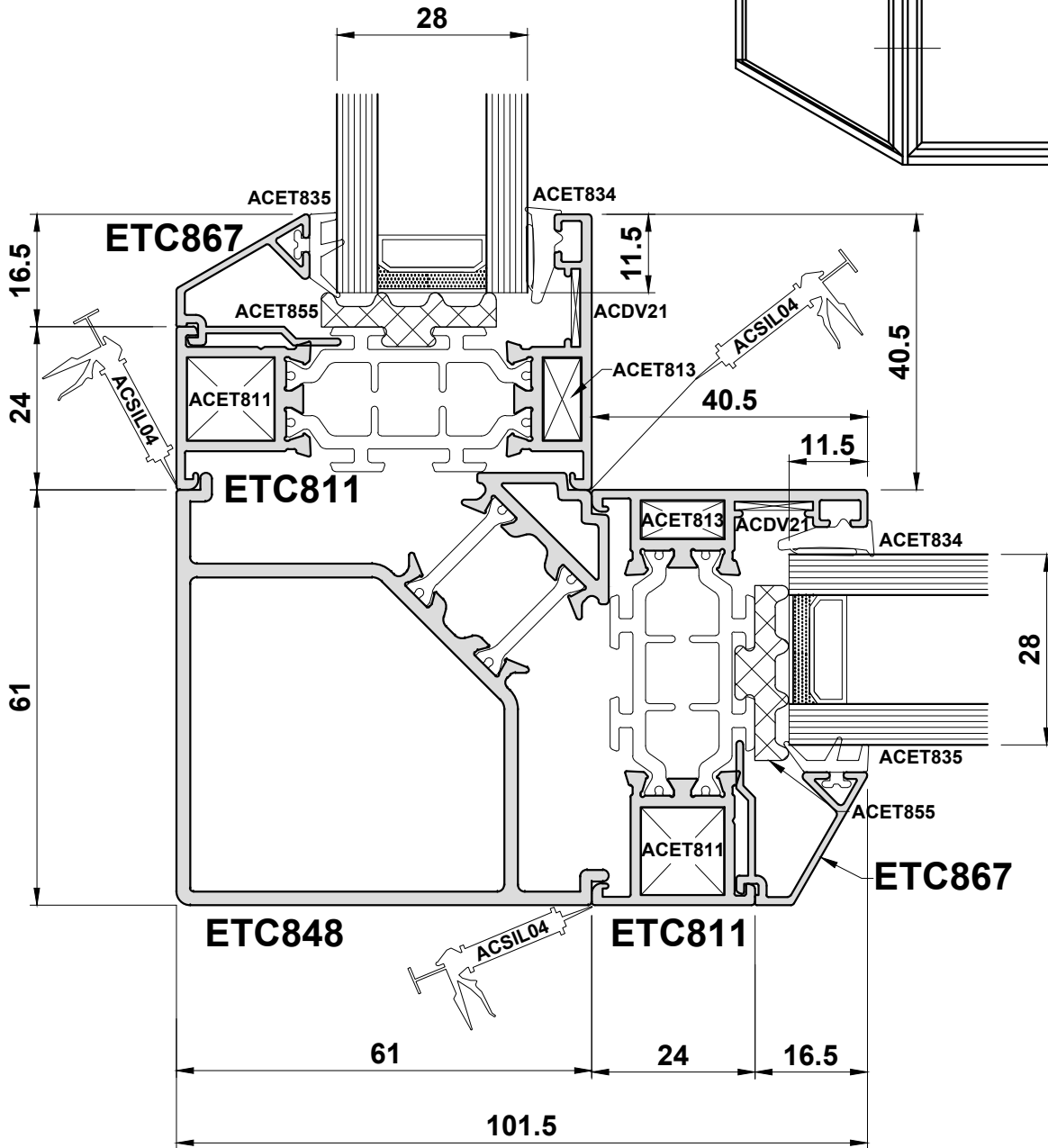
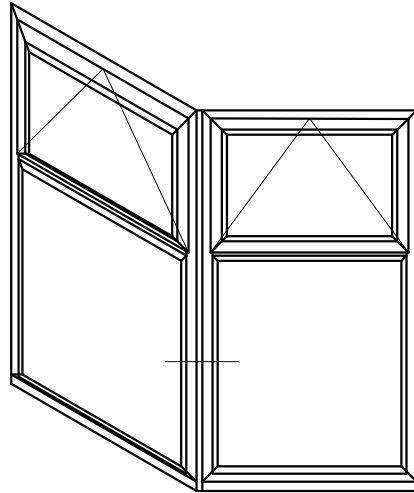
Do Not Scale From This Drawing

Detail 11A



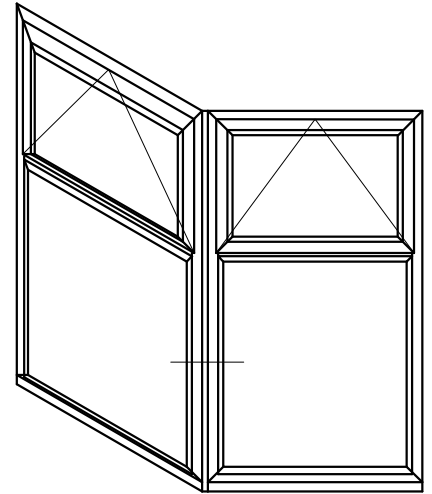
Do Not Scale From This Drawing

Detail 11B

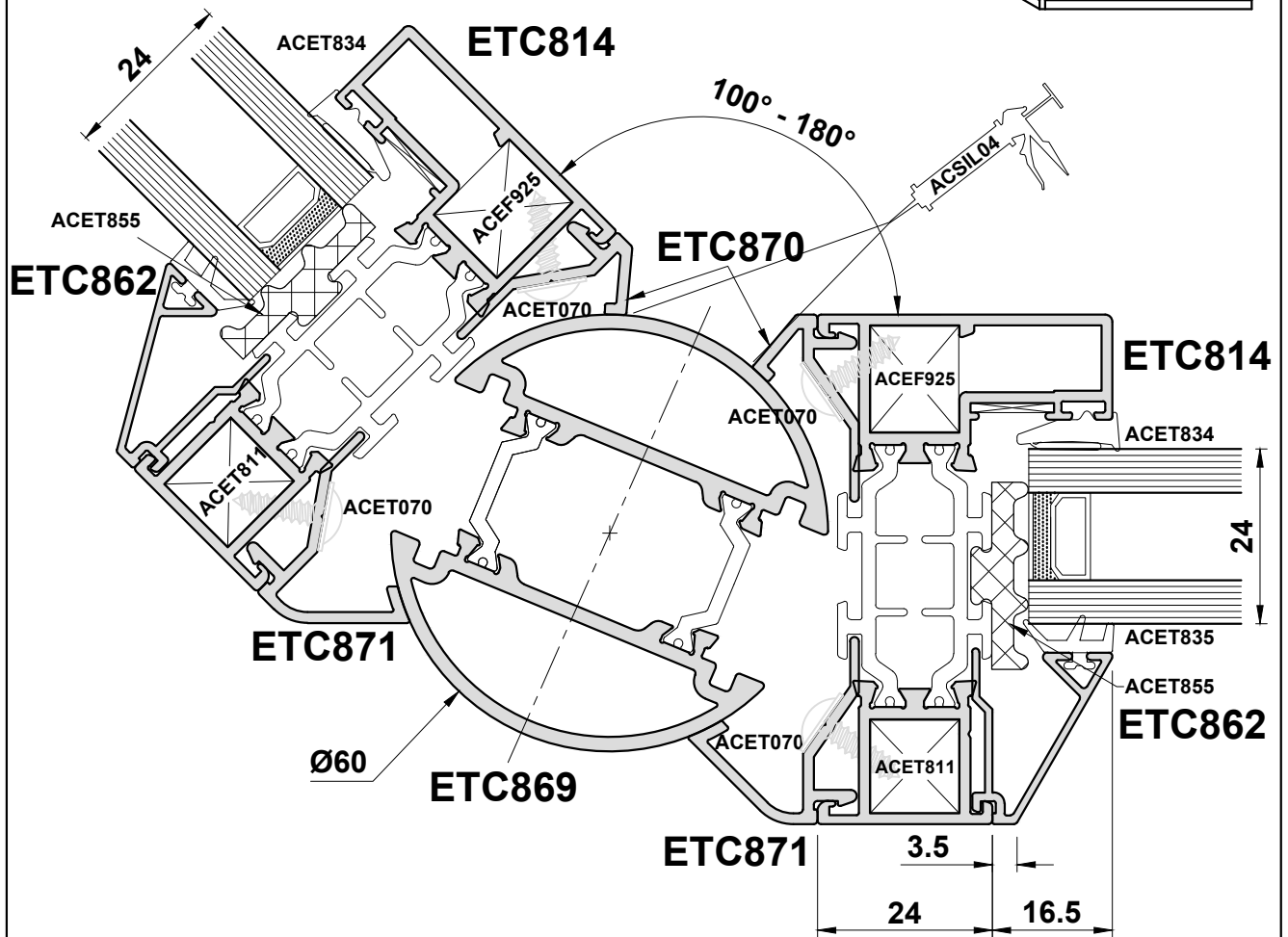


Do Not Scale From This Drawing

Detail 11C



See page E12 for angles & deductions

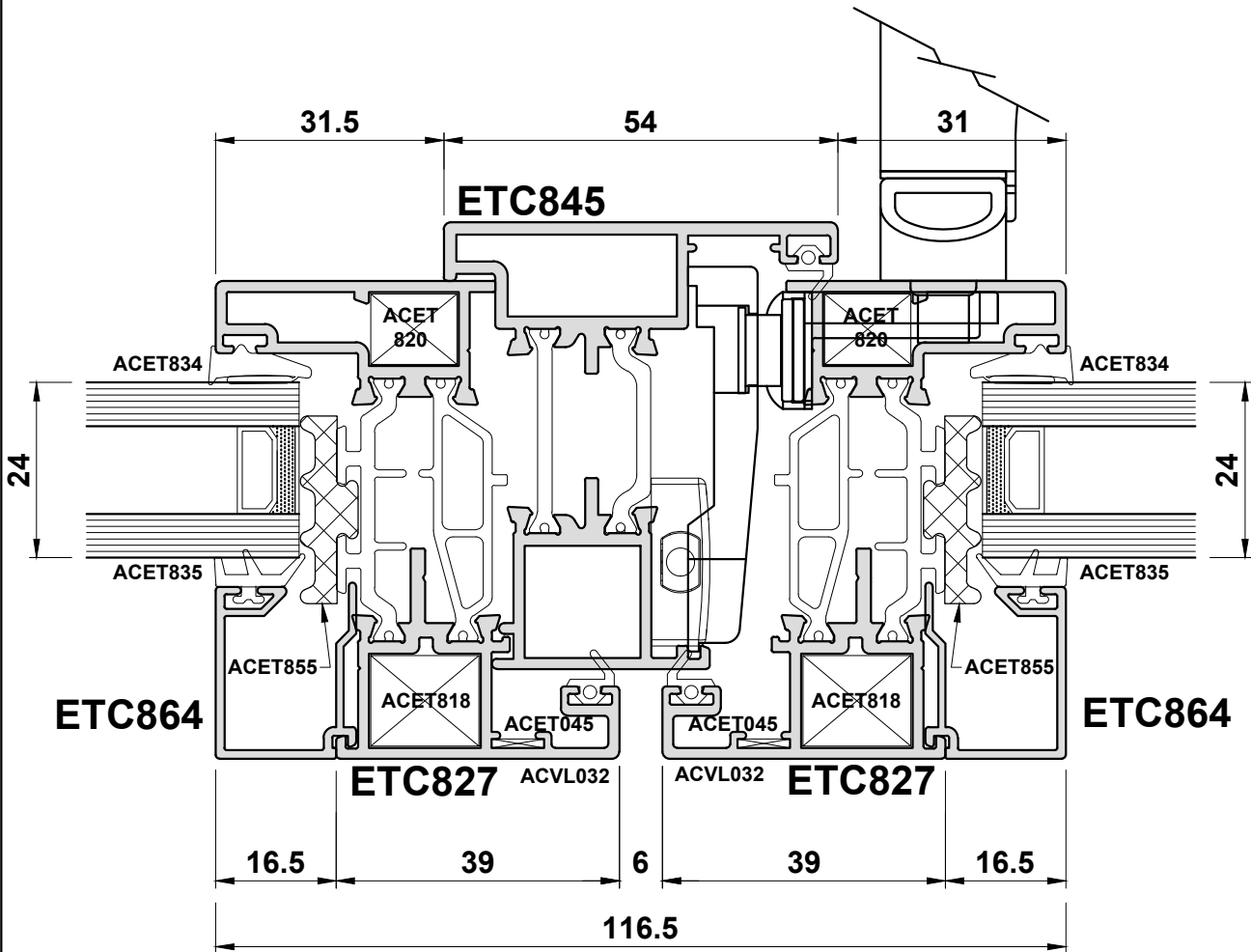
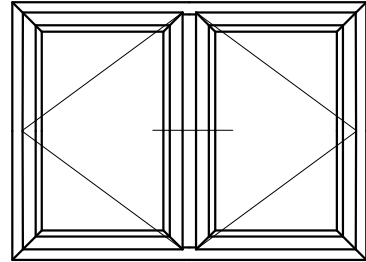


Note:

ETC870 & ETC871 are compatible with ETC810, ETC814 and ETC815 only.

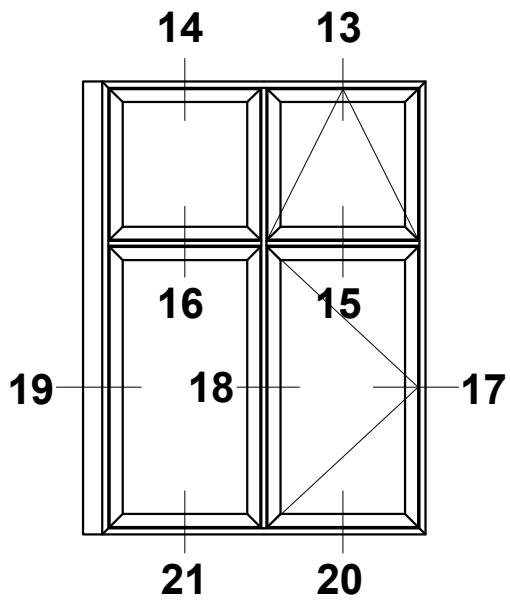
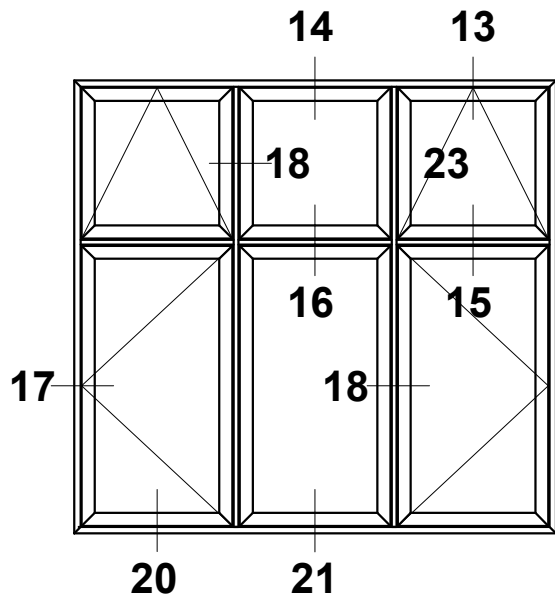
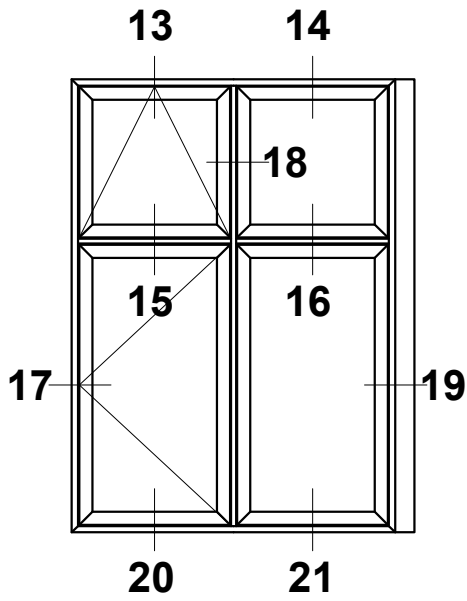
Do Not Scale From This Drawing

Detail 12



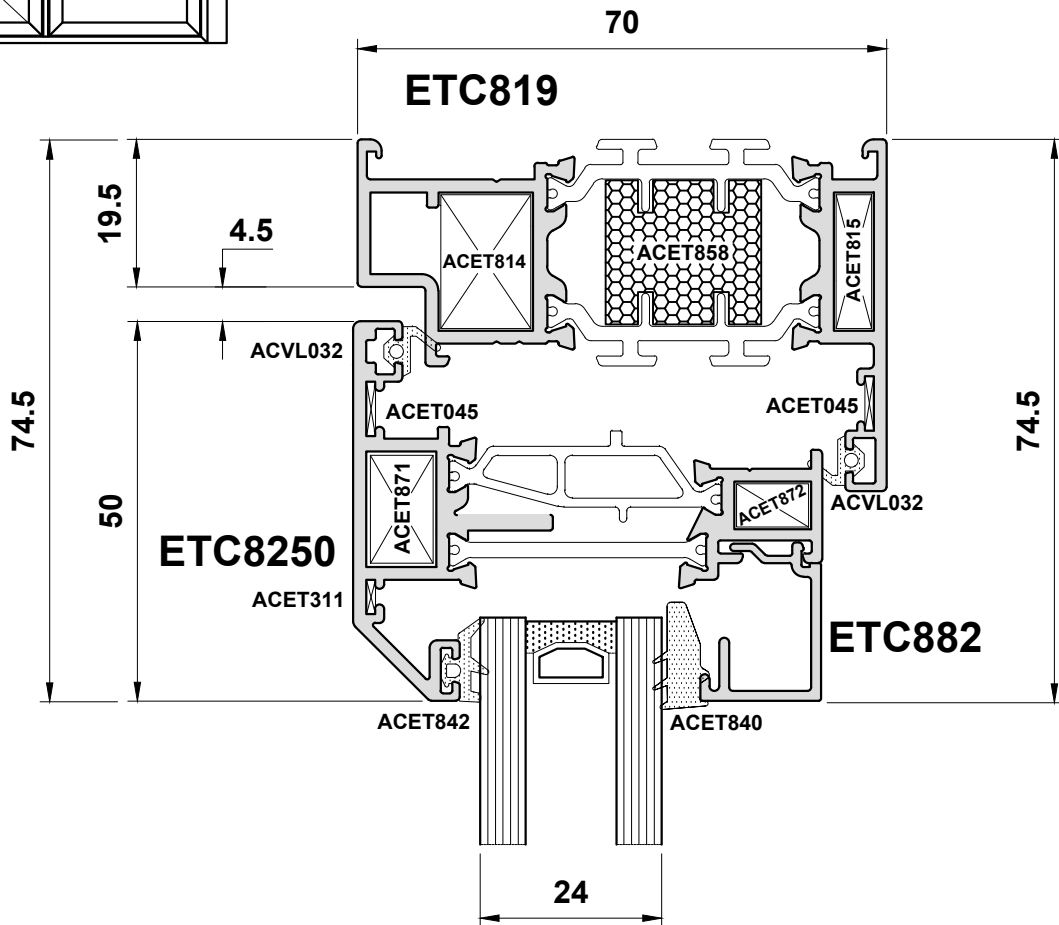
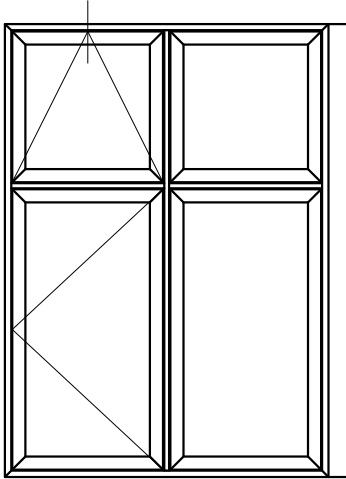
Do Not Scale From This Drawing

Scale Elevations



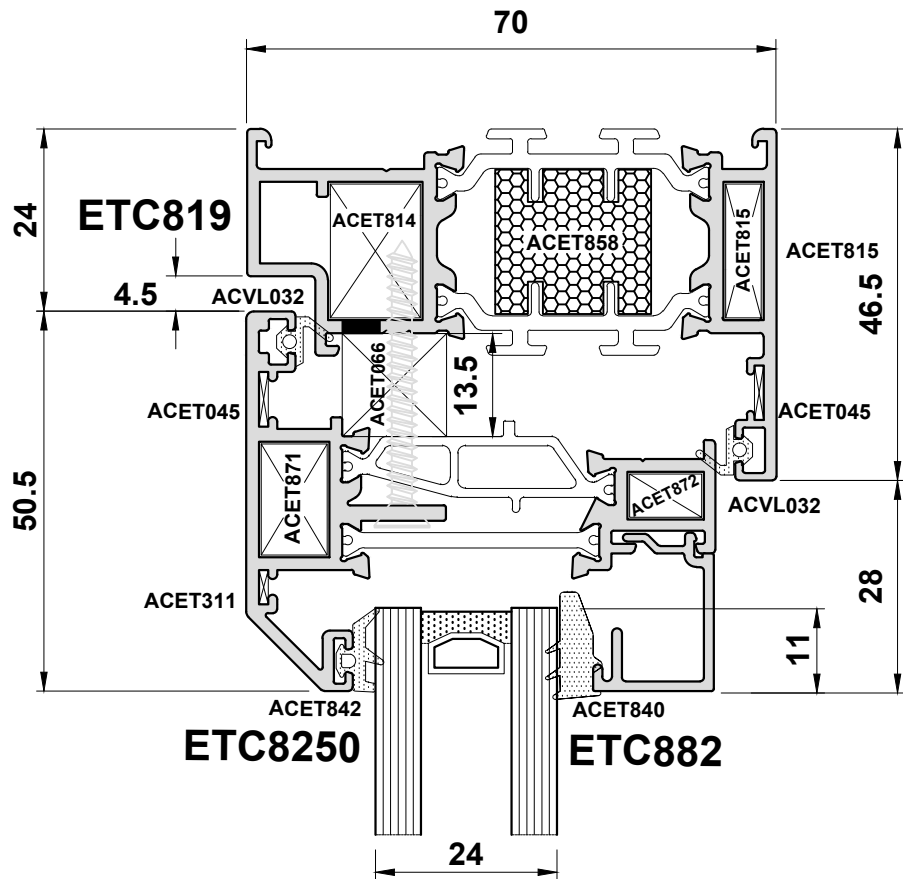
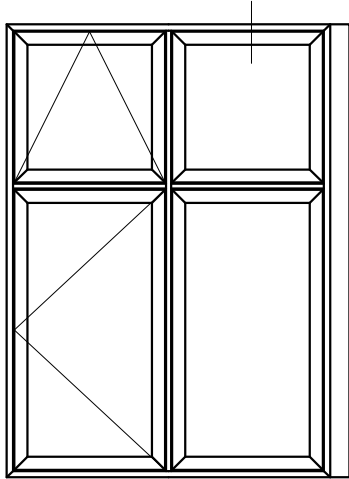
Do Not Scale From This Drawing

Detail 13



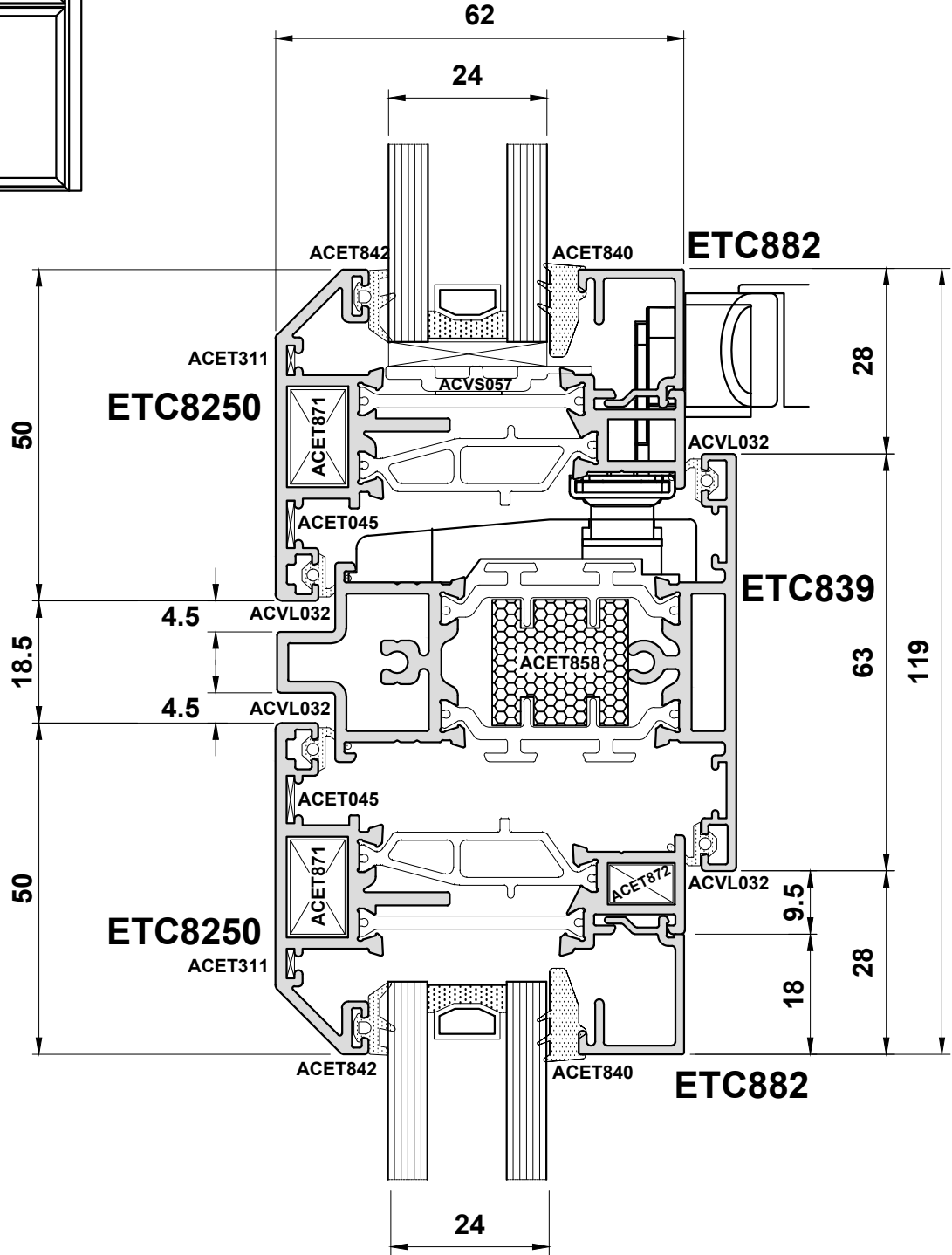
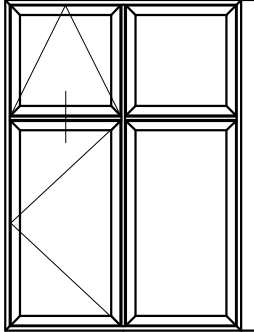
Do Not Scale From This Drawing

Detail 14



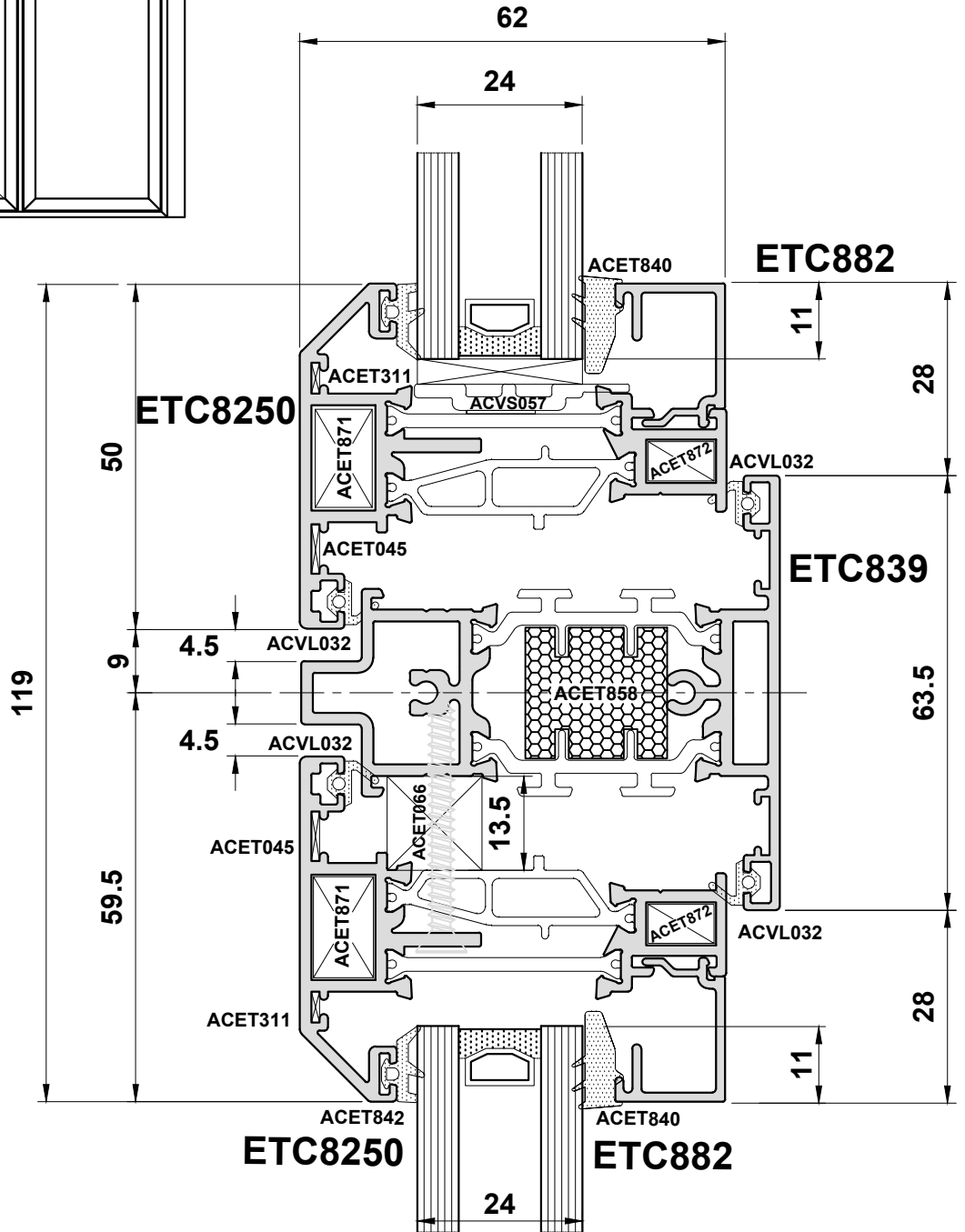
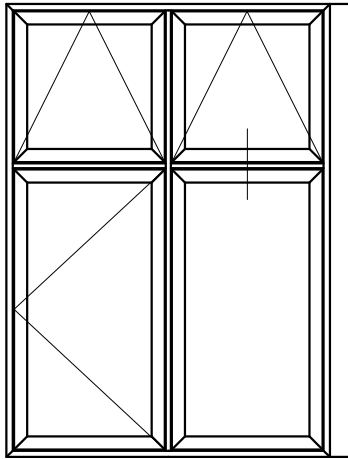
Do Not Scale From This Drawing

Detail 15



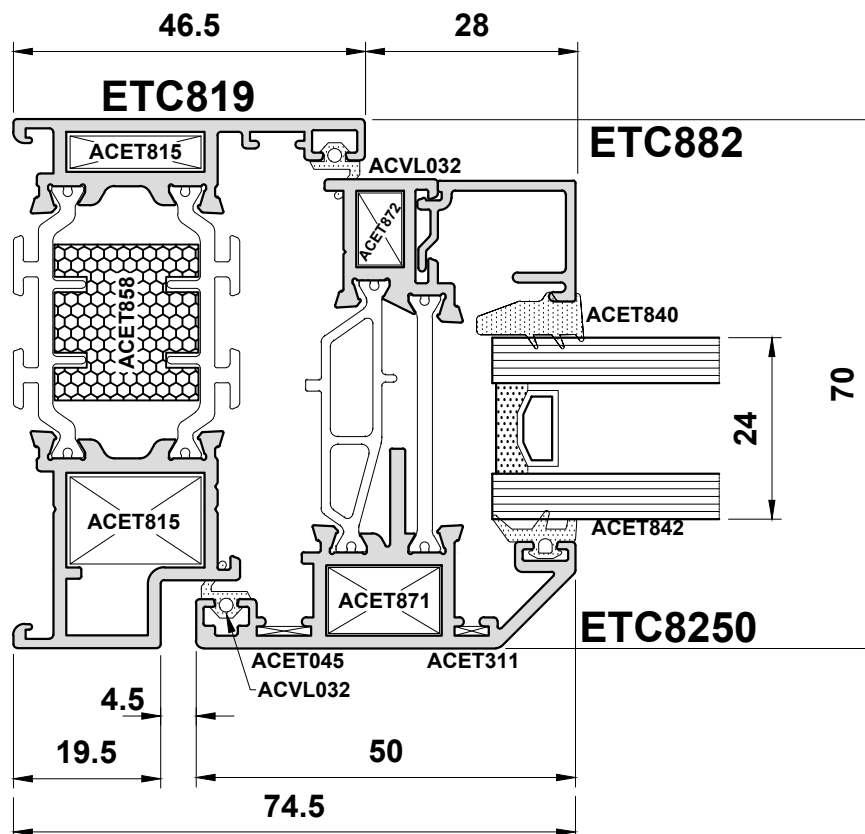
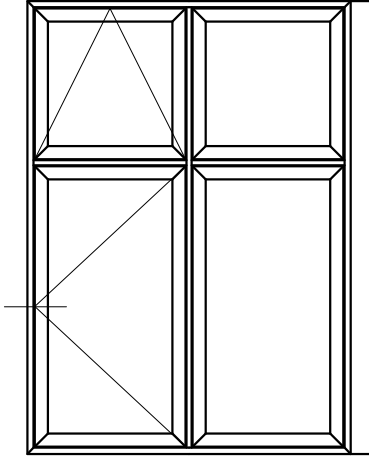
Do Not Scale From This Drawing

Detail 16



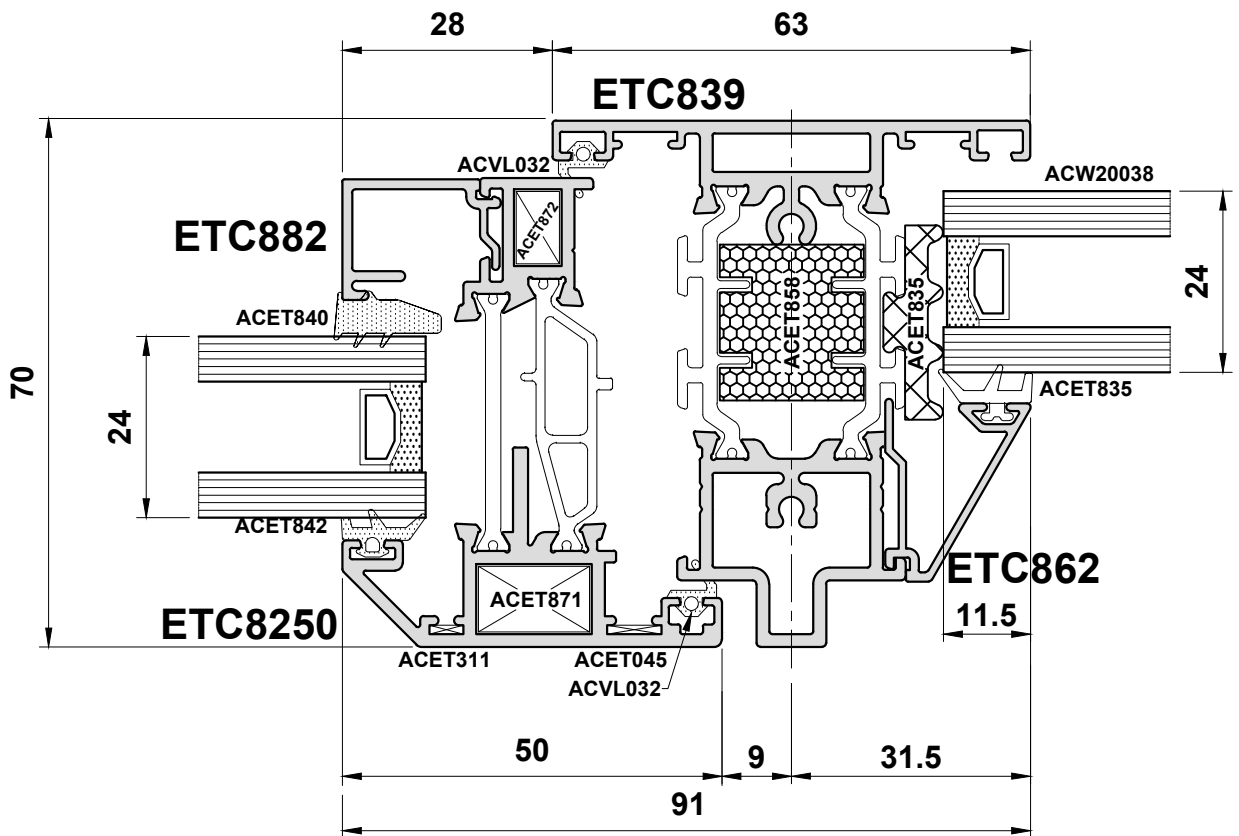
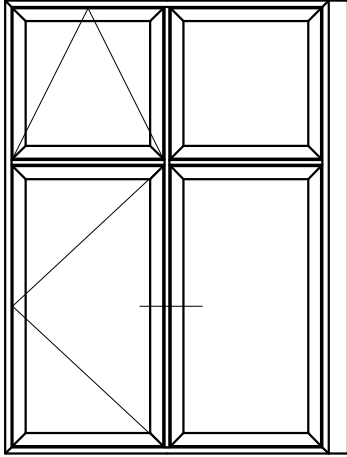
Do Not Scale From This Drawing

Detail 17



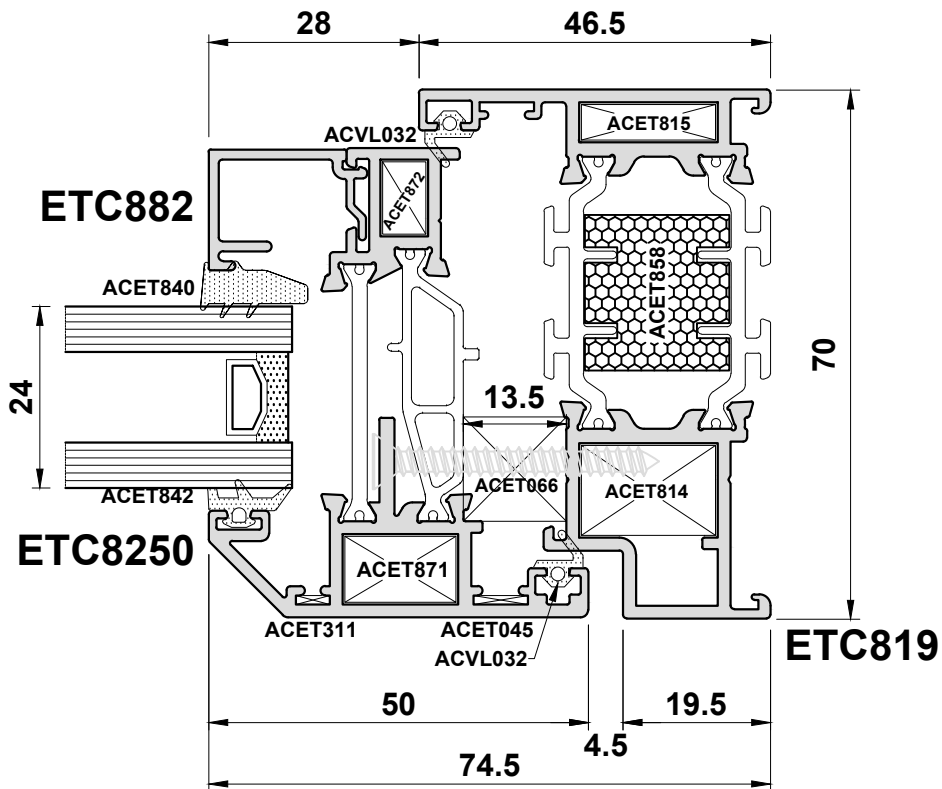
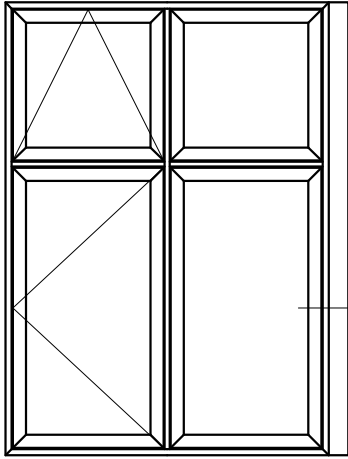
Do Not Scale From This Drawing

Detail 18



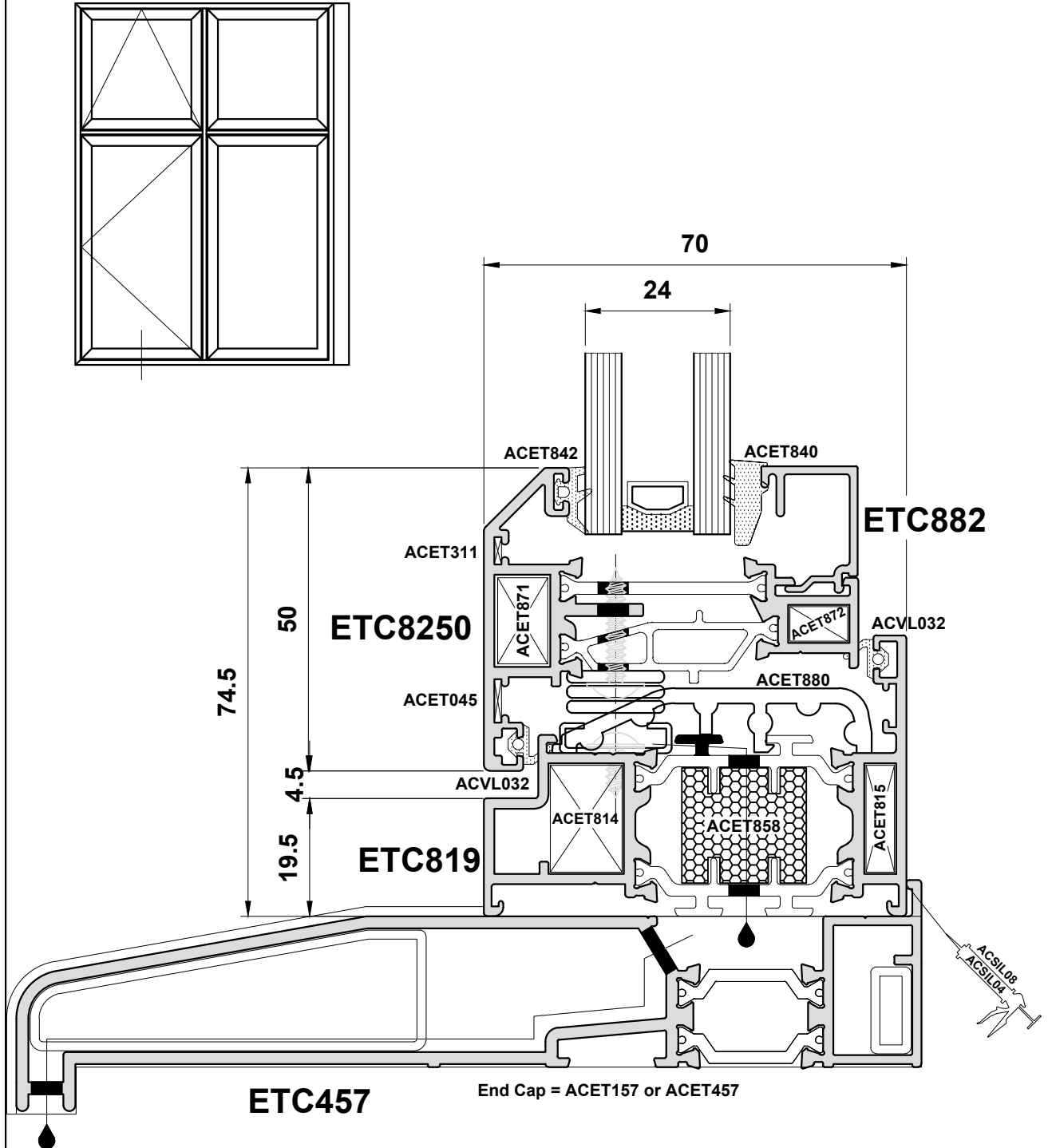
Do Not Scale From This Drawing

Detail 19



Do Not Scale From This Drawing

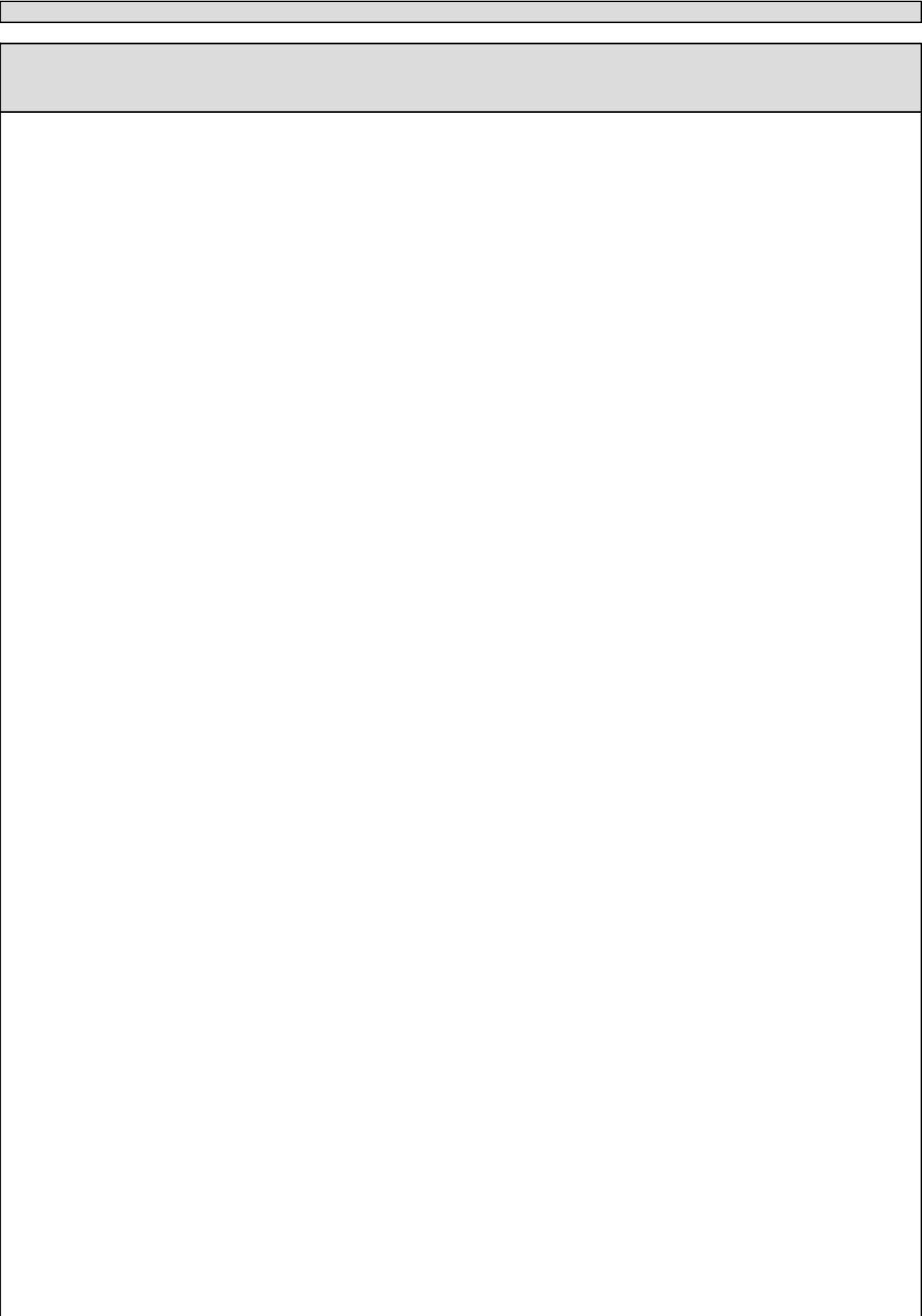
Detail 20



Do Not Scale From This Drawing

Section D

**For Wind Loading Limitations,
Please Contact
The Technical Department.**



Section E

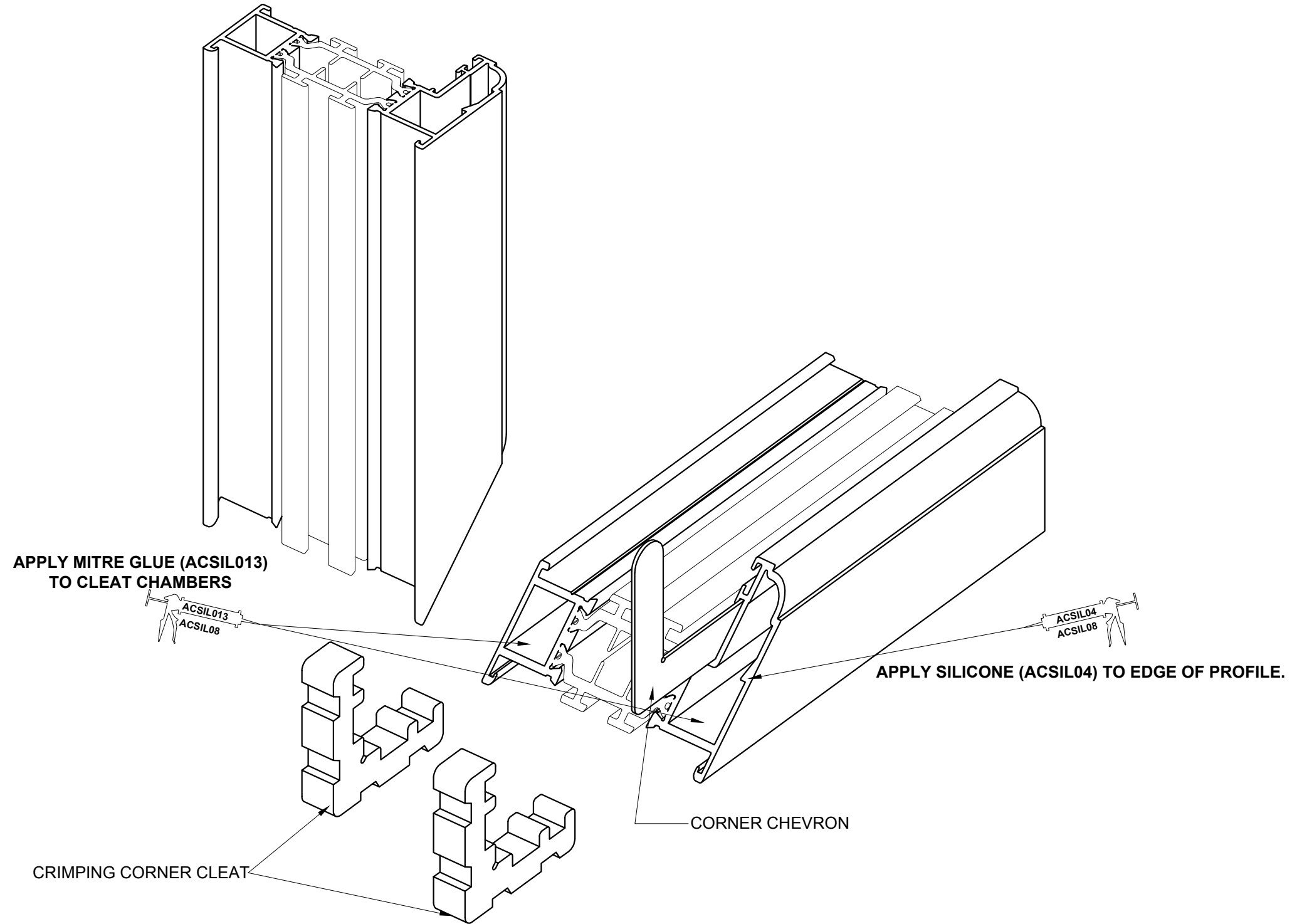


Construction Drawings

1	-	Corner Jointing	Page E03-E05
2	-	Drainage.....	Page E06-E07
3	-	Transom/Mullion Fixings.....	Page E08-E11
4	-	Friction Stay Accessories.....	Page E12
5	-	Friction Stays.....	Page E13-E14
6	-	Locking.....	Page E15-E19
7	-	French Casement.....	Page E20
8	-	Beads & Glazing.....	Page E21-E23
9	-	Fixing Strap Detail.....	Page E24
10	-	Baypole Configuration.....	Page E25-E27
11	-	Horizontal Coupler.....	Page E28

Section E

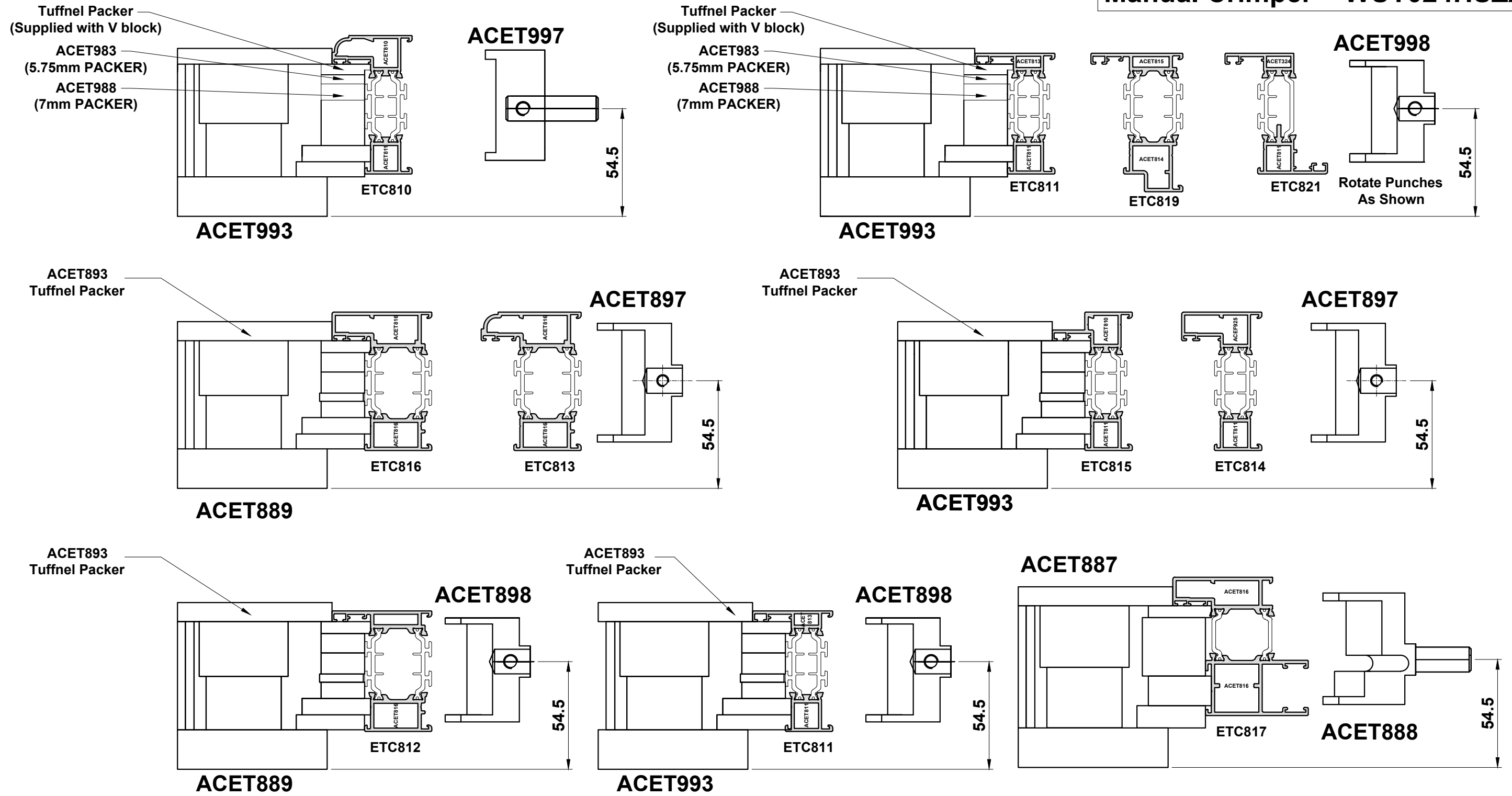
Typical Corner Detail



Do Not Scale From This Drawing

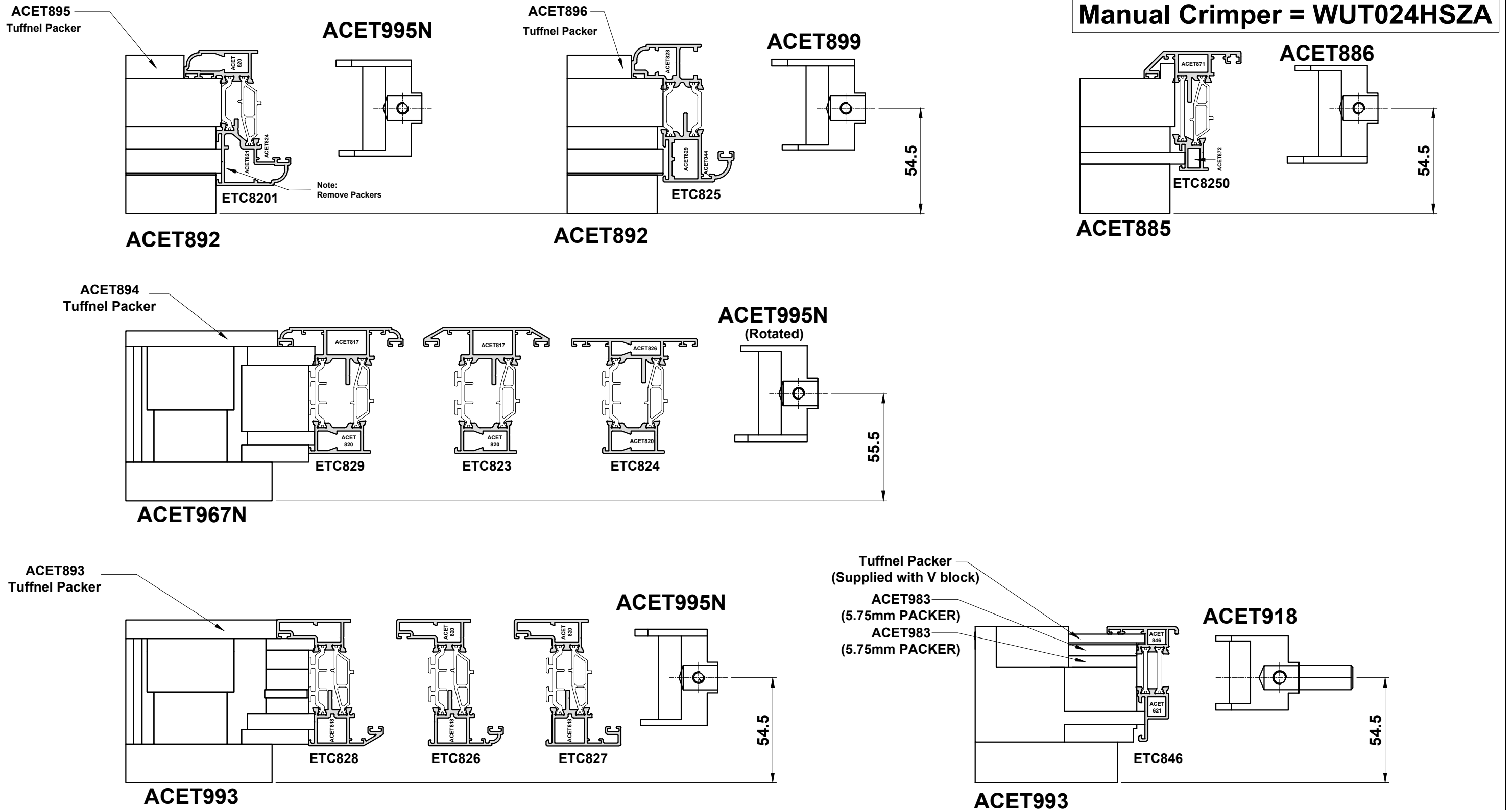
Corner Crimping

Manual Crimper = WUT024HSZA



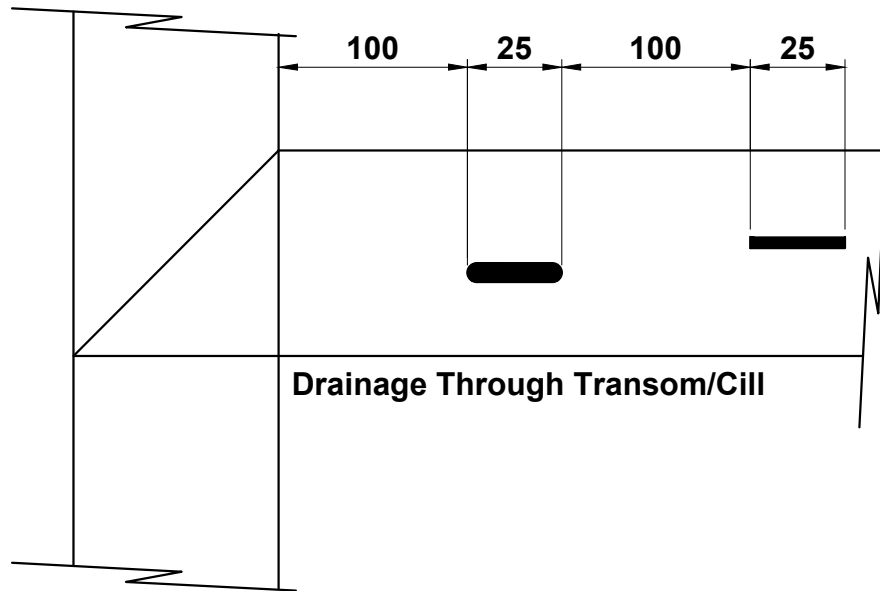
Do Not Scale From This Drawing

Corner Crimping

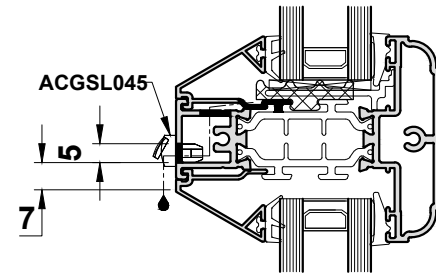


Do Not Scale From This Drawing

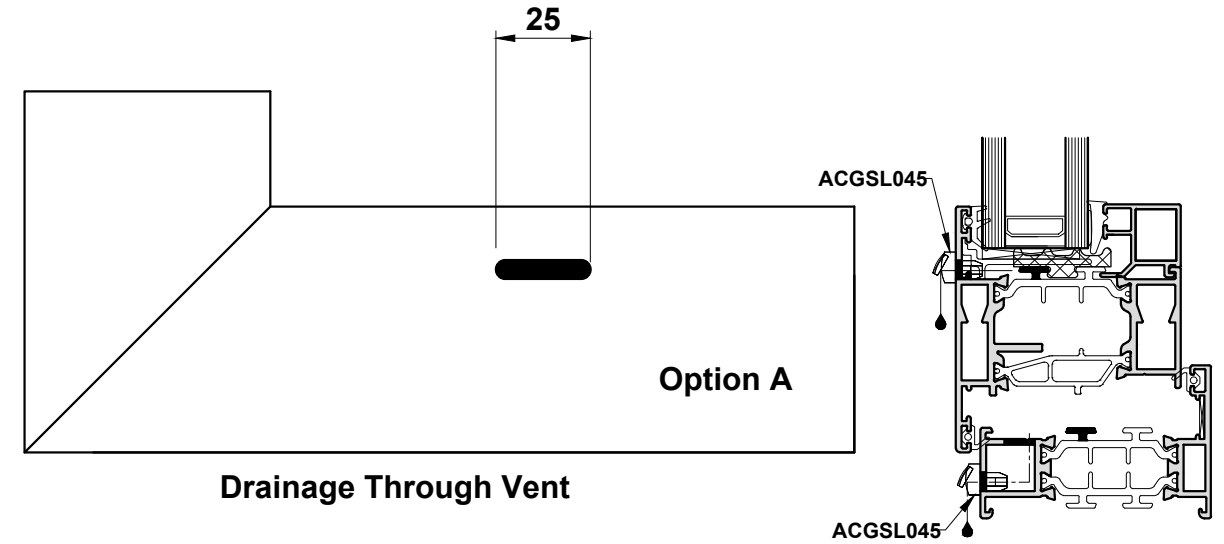
Drainage Details



Drainage Through Transom/Cill

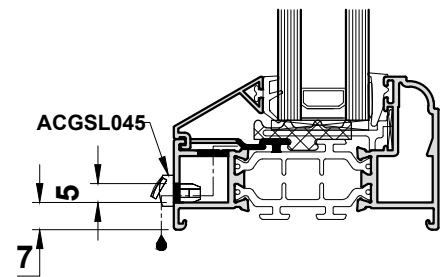


Transoms will also drain through the join to the outerframe

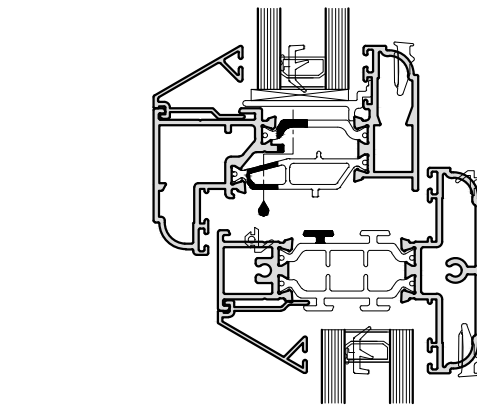
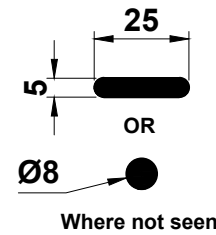


Option A

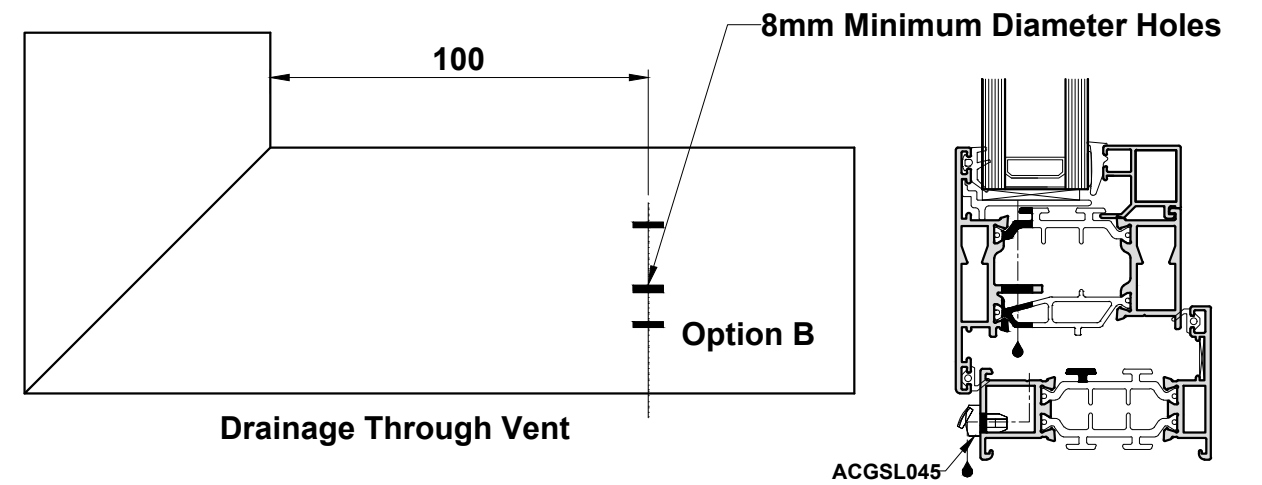
Drainage Through Vent



Outerframe Without Cill

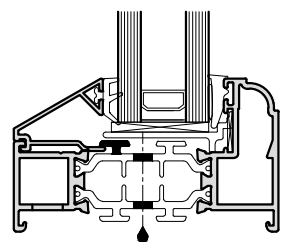


Transoms will also drain through the join to the outerframe

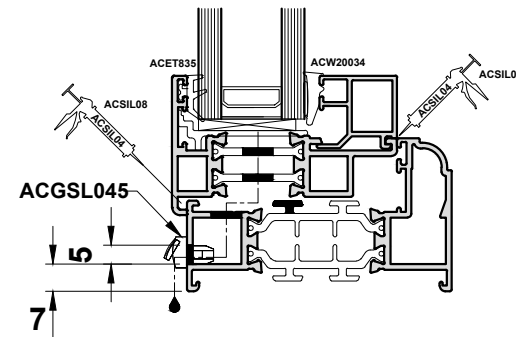
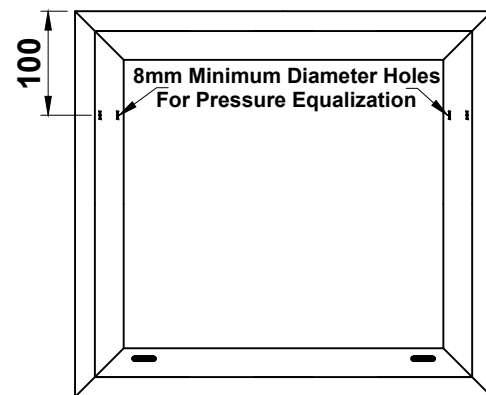


Option B

Drainage Through Vent



Outerframe With Cill

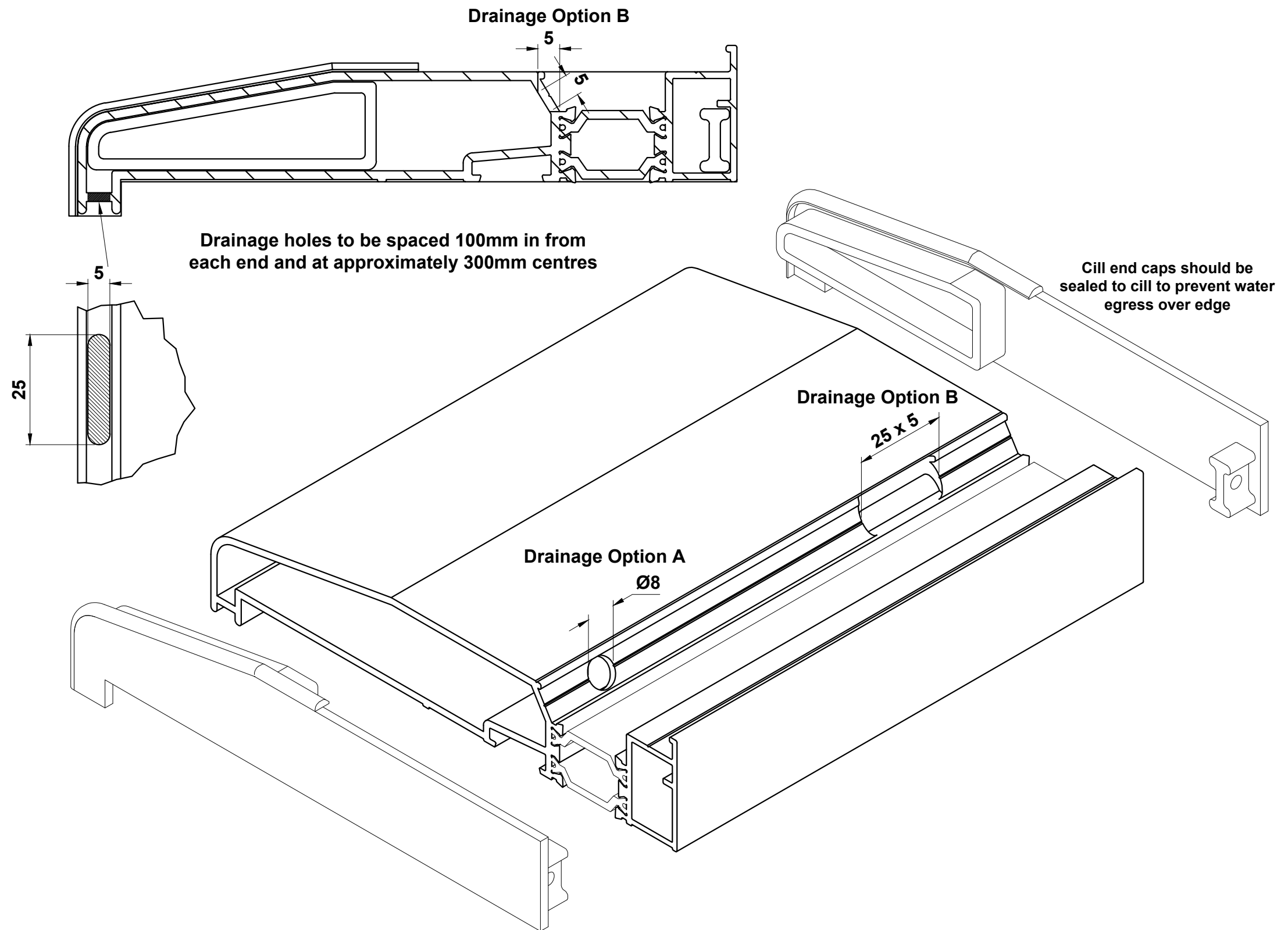


Outerframe With Reverse Adaptor

Important Note: All exposed aluminium should be coated using ACSIL014 or painted to match the frame.

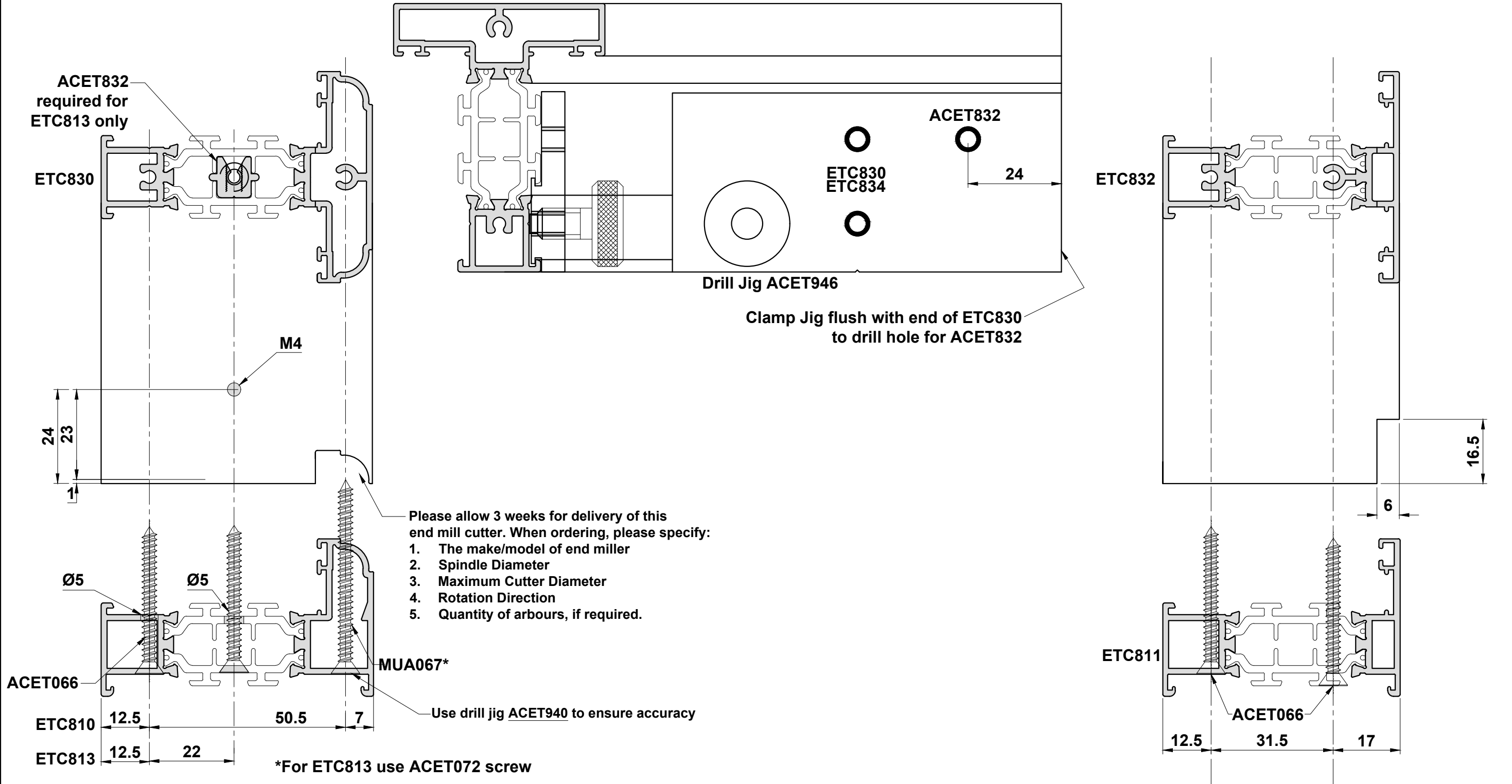
Do Not Scale From This Drawing

Cill Drainage



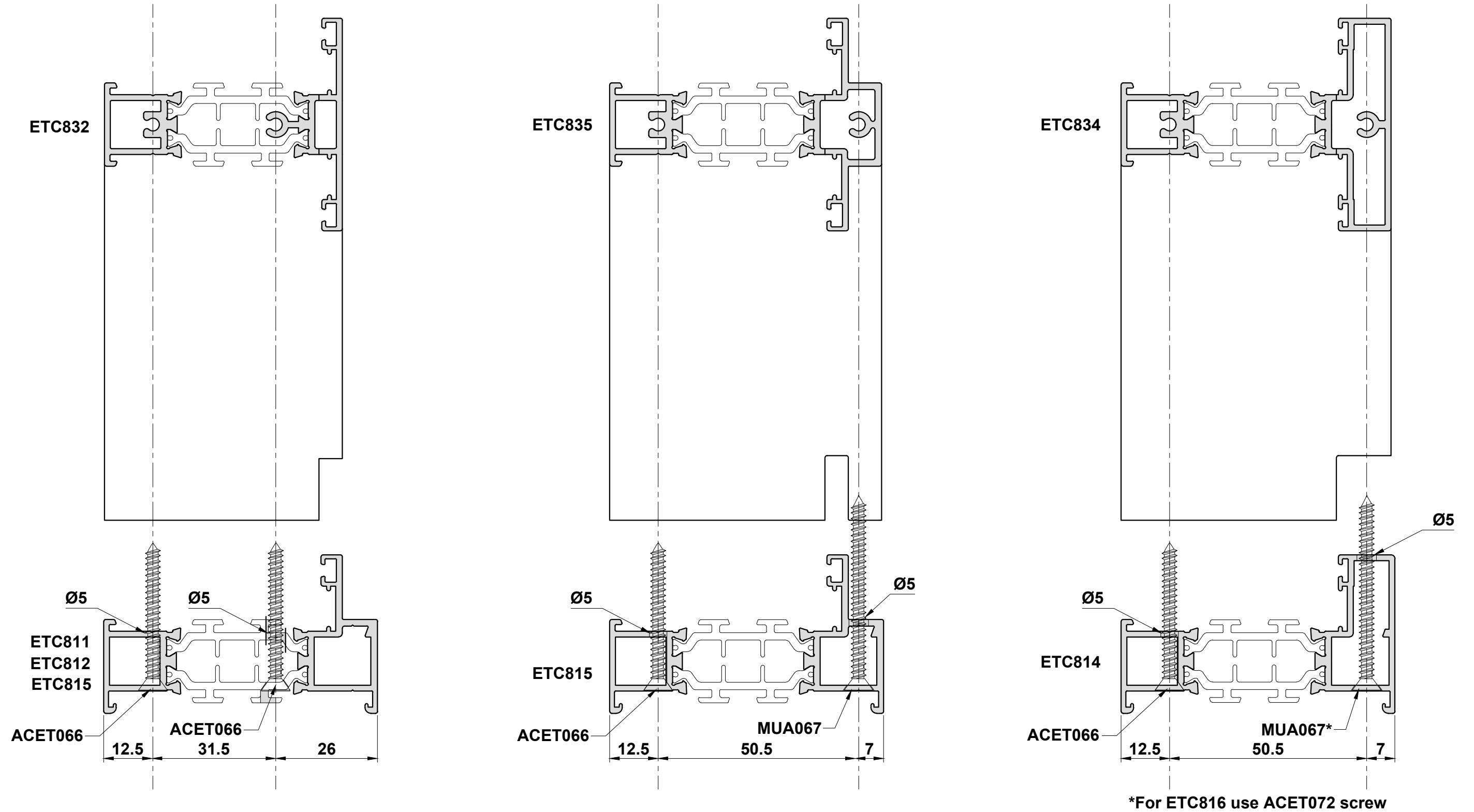
Do Not Scale From This Drawing

Transom/Mullion Preparation



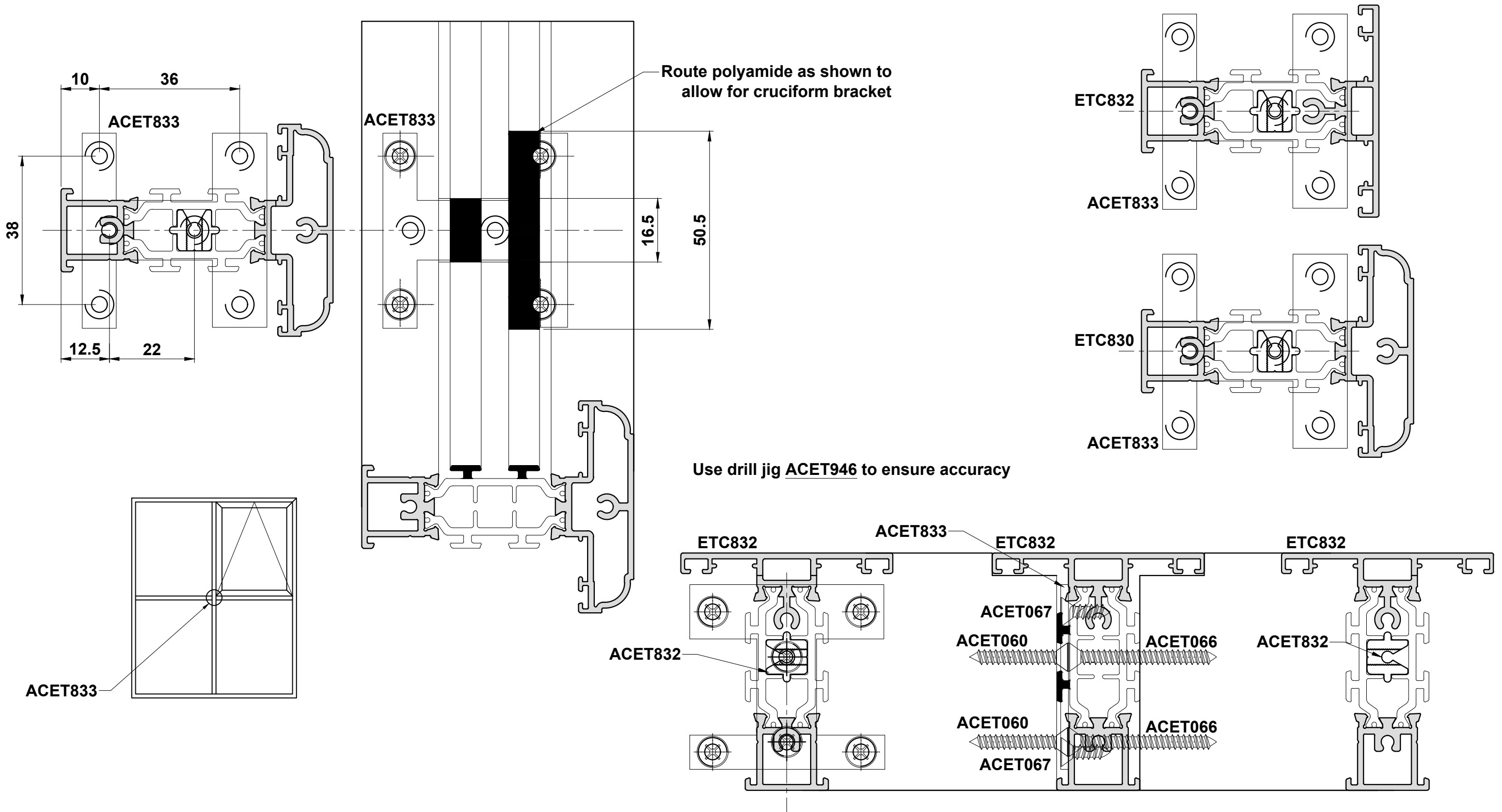
Do Not Scale From This Drawing

Transom/Mullion Preparation



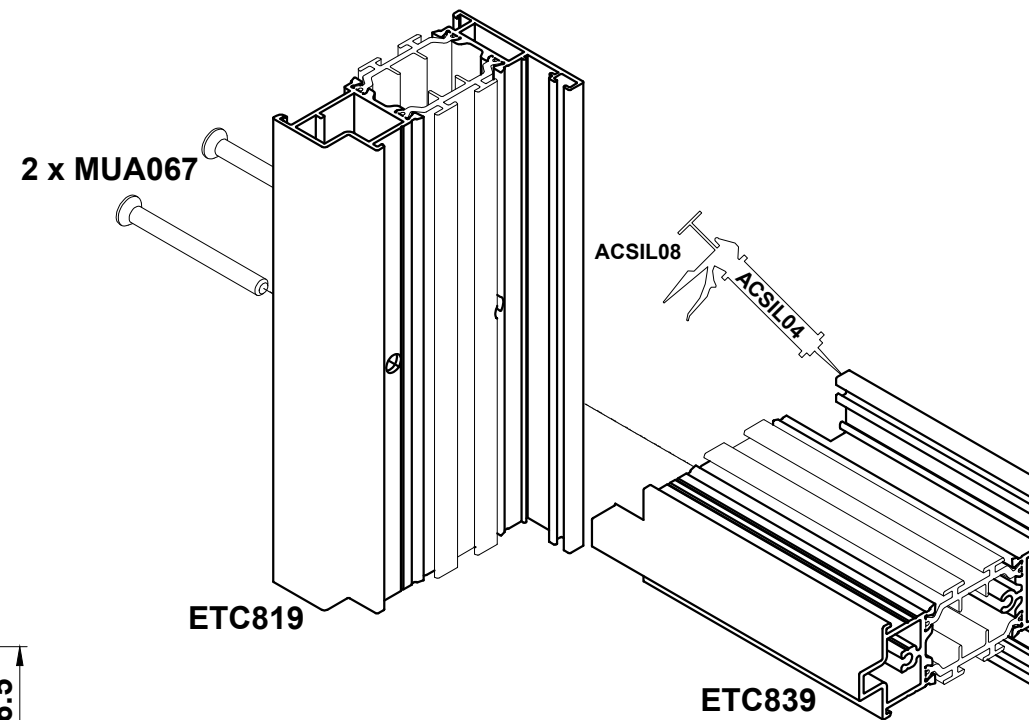
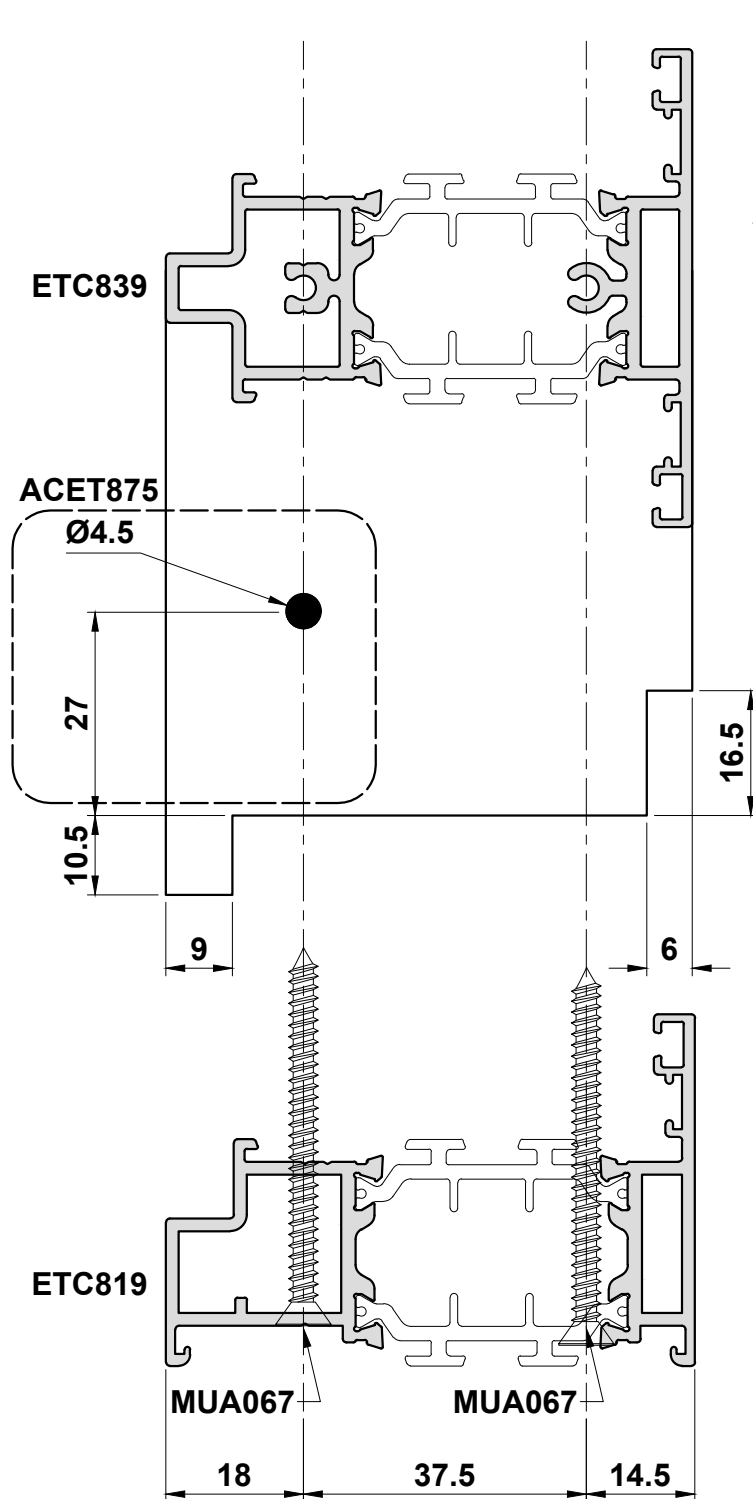
Do Not Scale From This Drawing

Transom/Mullion Preparation For Cruciform



Do Not Scale From This Drawing

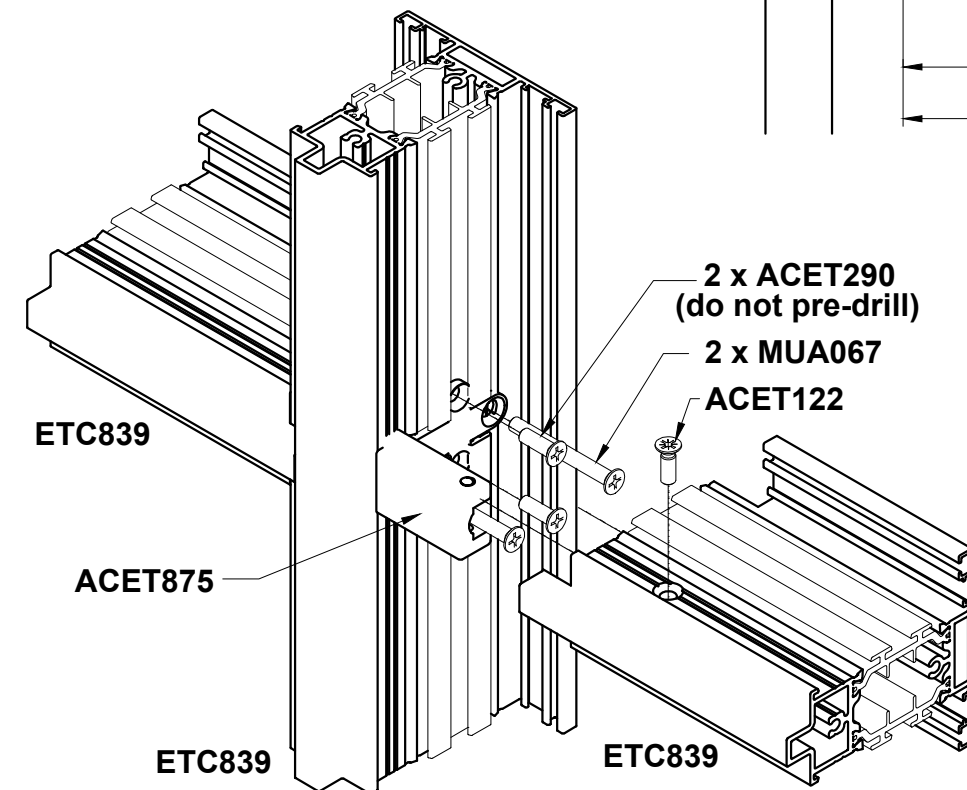
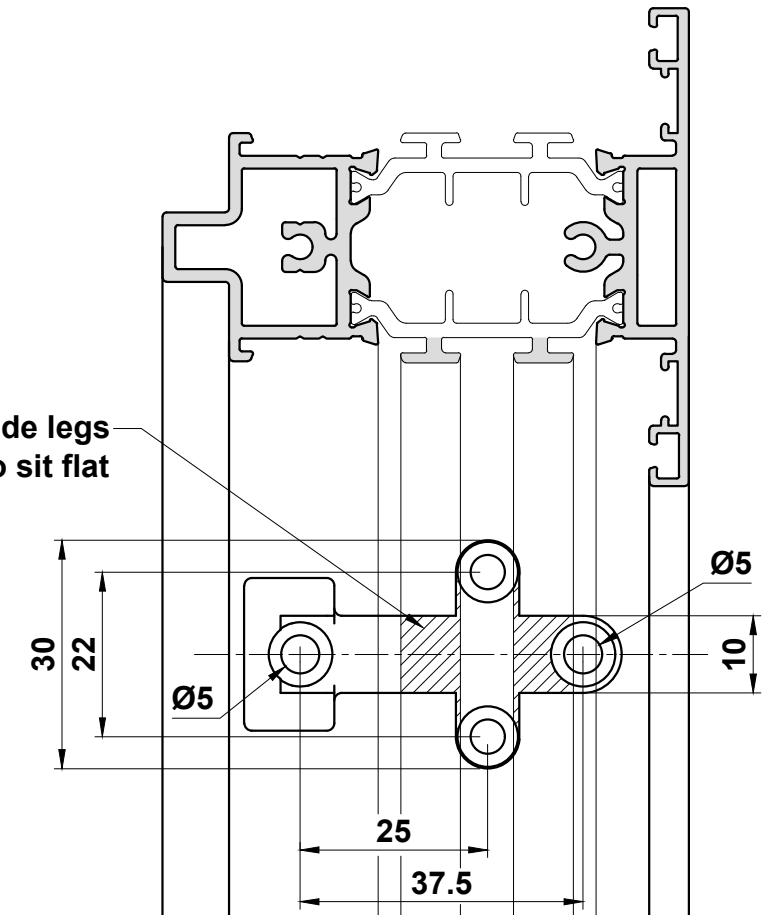
Mullion/Transom Detail



Please allow 3 weeks for delivery of this end mill cutter. When ordering, please specify:

1. The make/model of end miller
2. Spindle Diameter
3. Maximum Cutter Diameter
4. Rotation Direction
5. Quantity of arbours, if required.

Remove polyamide legs to allow ACET875 to sit flat

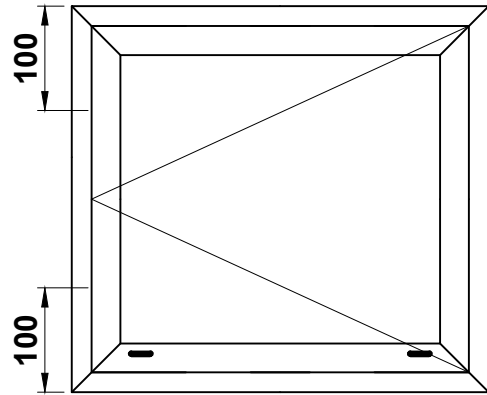


Do Not Scale From This Drawing

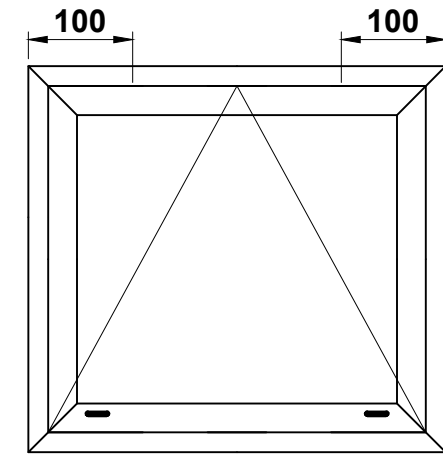
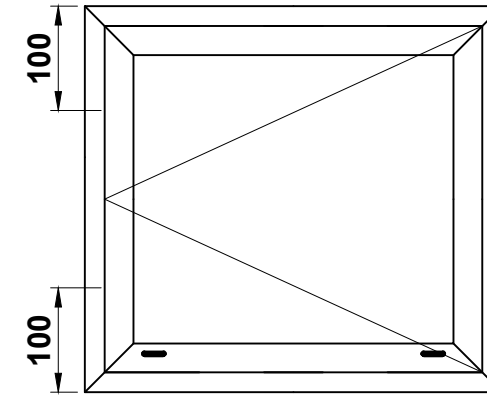
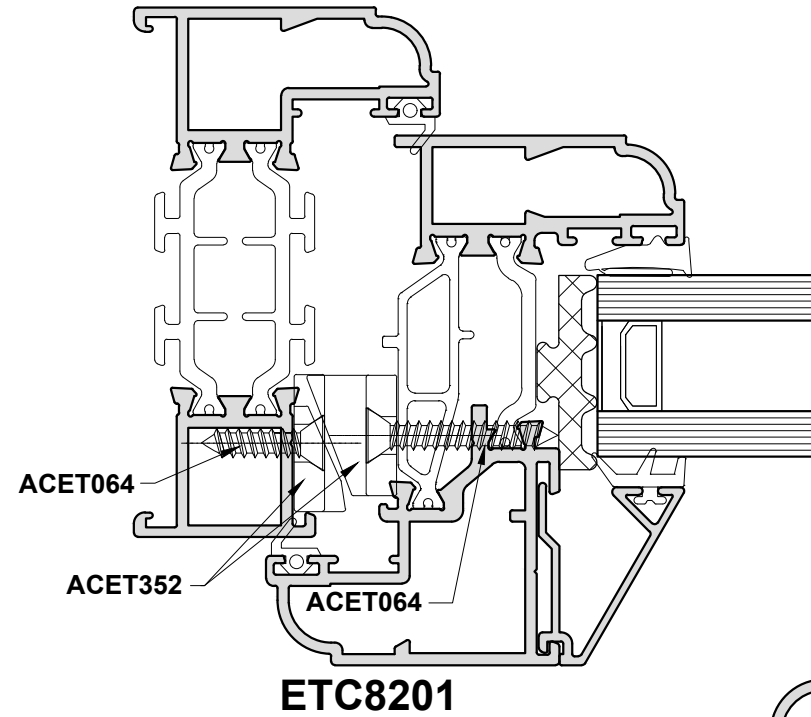
Friction Stay Accessories

Pull In Blocks for Easy Clean/Egress Stays

Security Hinge Protectors



ETC810



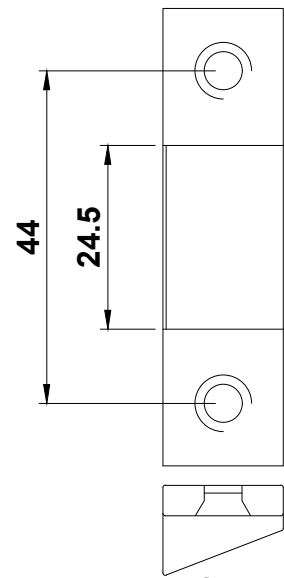
Please Note:

- 2 pairs per opening vent to be fitted to hinged side of window
- Each pair must be fitted with the wedge centre within 100mm of each hinge and in the centre of the window when sash height is greater than 800mm.

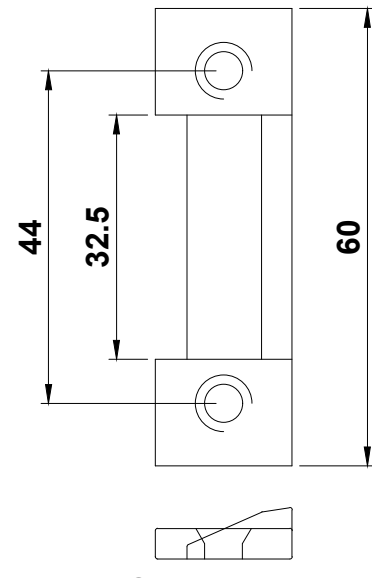
Please Note:

- 2 pairs per opening vent to be fitted to hinged side of window
- Each pair must be fitted with the hook centre within 100mm of each hinge

ACET352

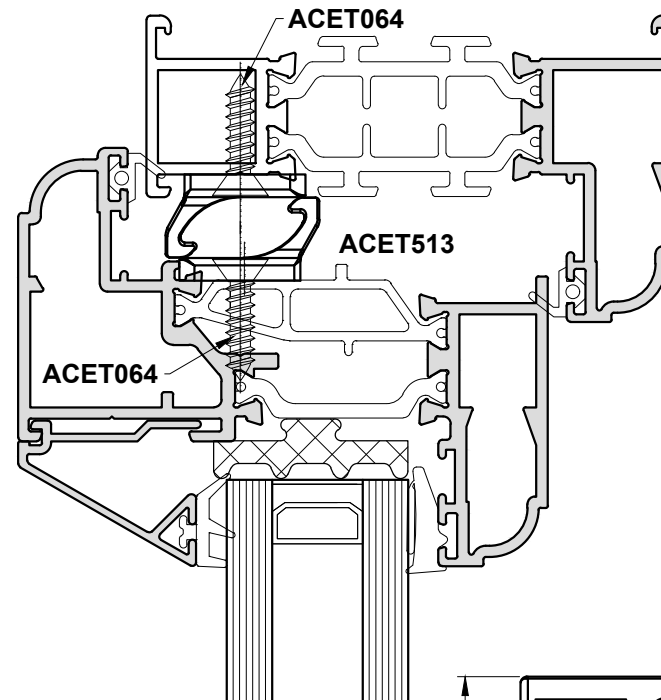


Sash Wedge

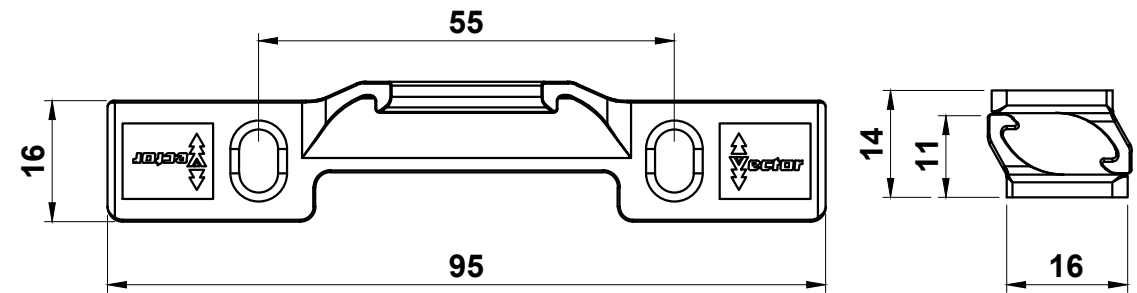


Outer Frame Wedge

ETC8201

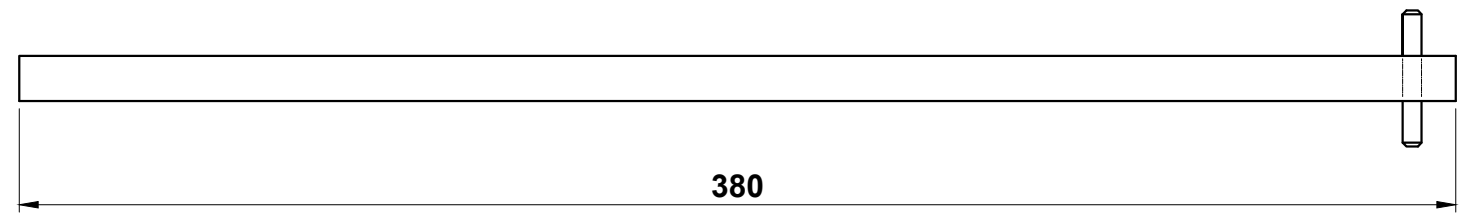
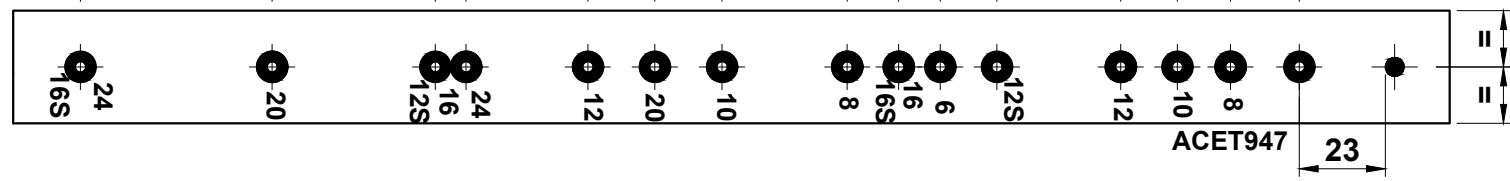
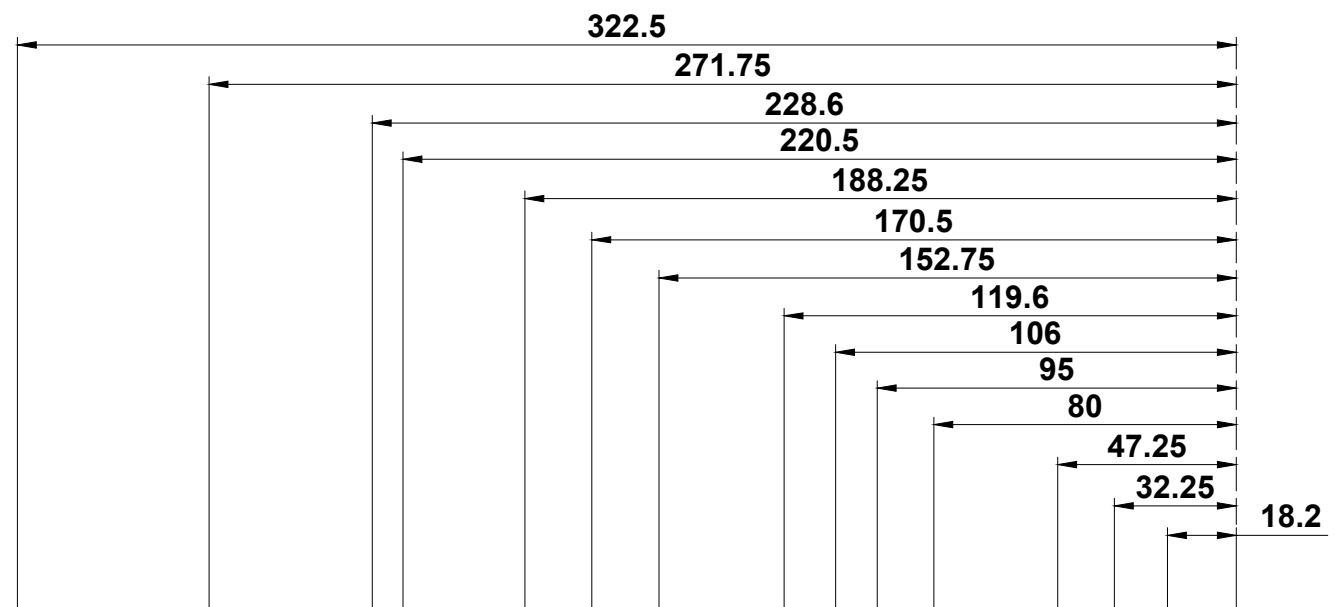
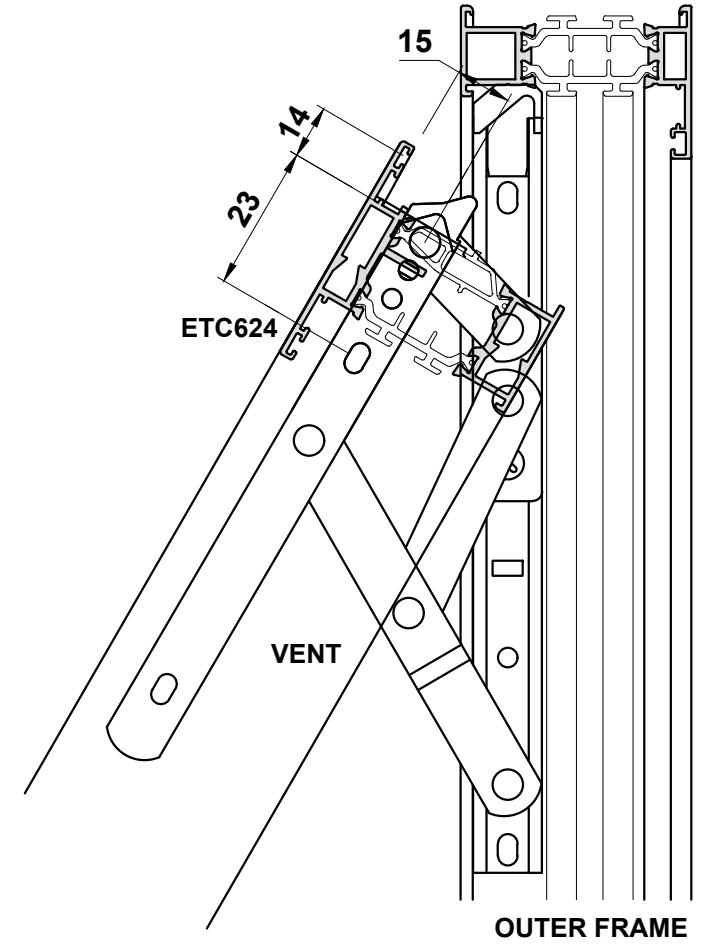
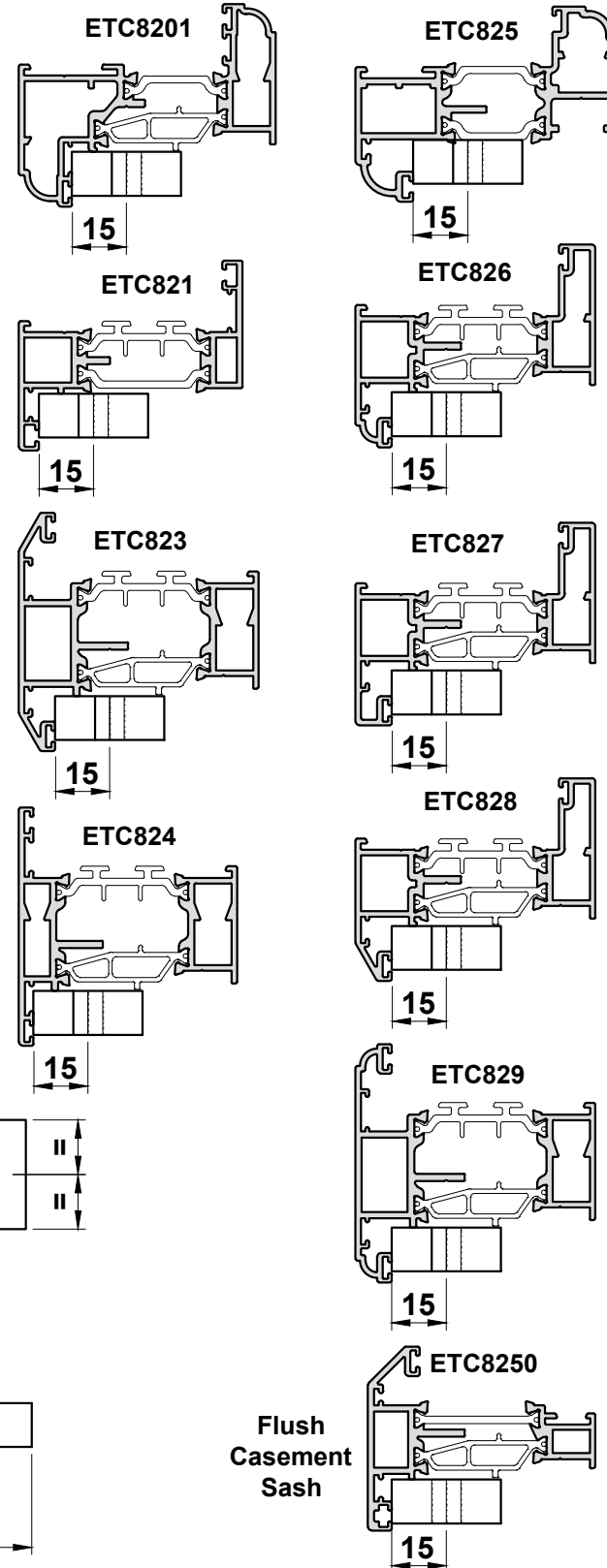
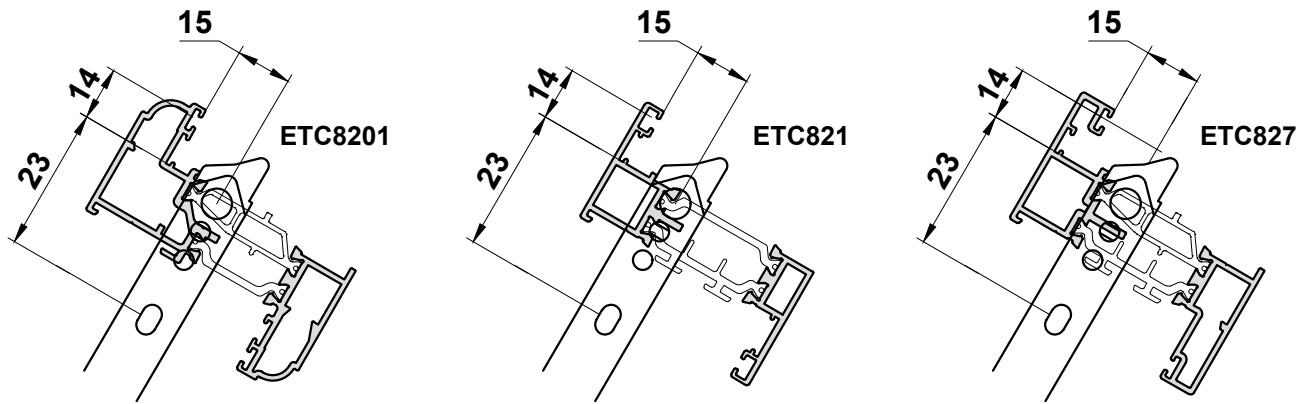


ETC810



Do Not Scale From This Drawing

Friction Hinge Details





Flush
Casement
Sash

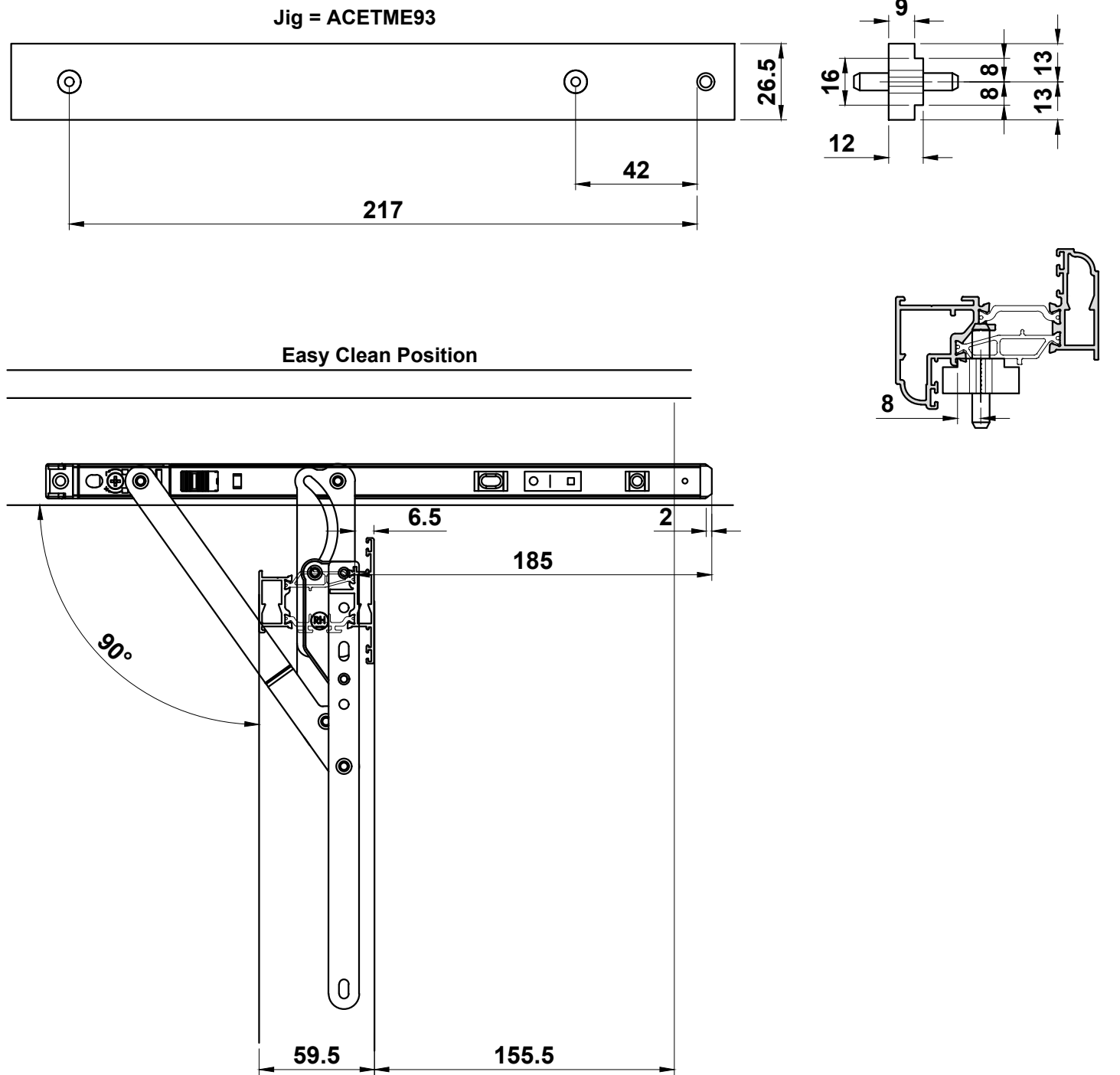
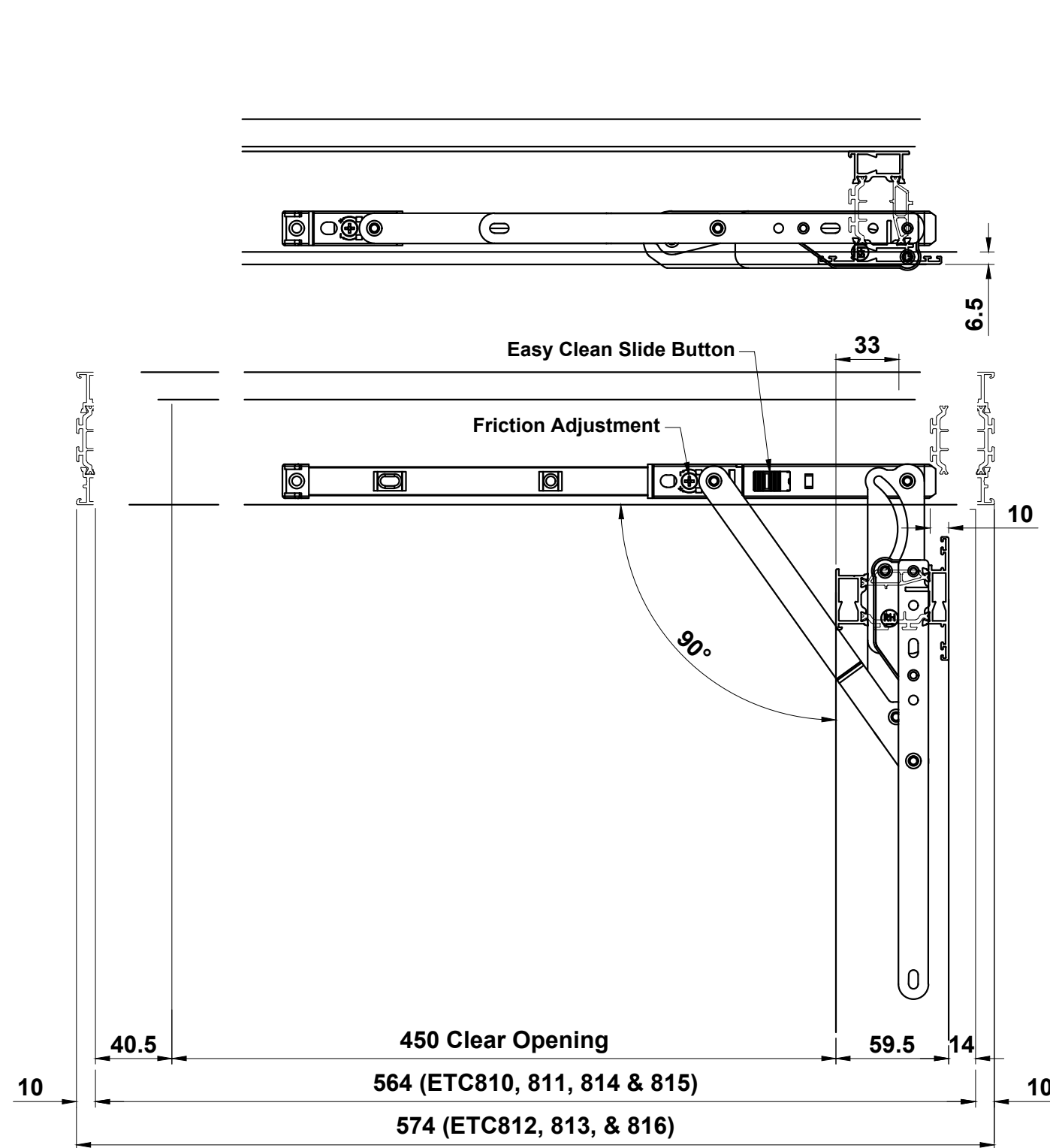
To ensure accuracy use drill jig: ACET947

Numbers indicate stay length in inches, numbers followed by an 'S' are used for side hung stays. ACET947 Cannot be used with easy clean stays.

TOP HUNG HEIGHT AND SIDE HUNG WIDTH SASH SIZES TO BE REDUCED BY 2mm WHERE SIZE IS 450mm OR SMALLER

-  ACET070 = Recommended Screw for ETC821 & outerframe
-  ACET099 = Recommended Screw for ETC8201, ETC823, ETC824, ETC825, ETC8250, ETC826, ETC827, ETC828 & ETC829

Easy Clean Fire Egress Stay



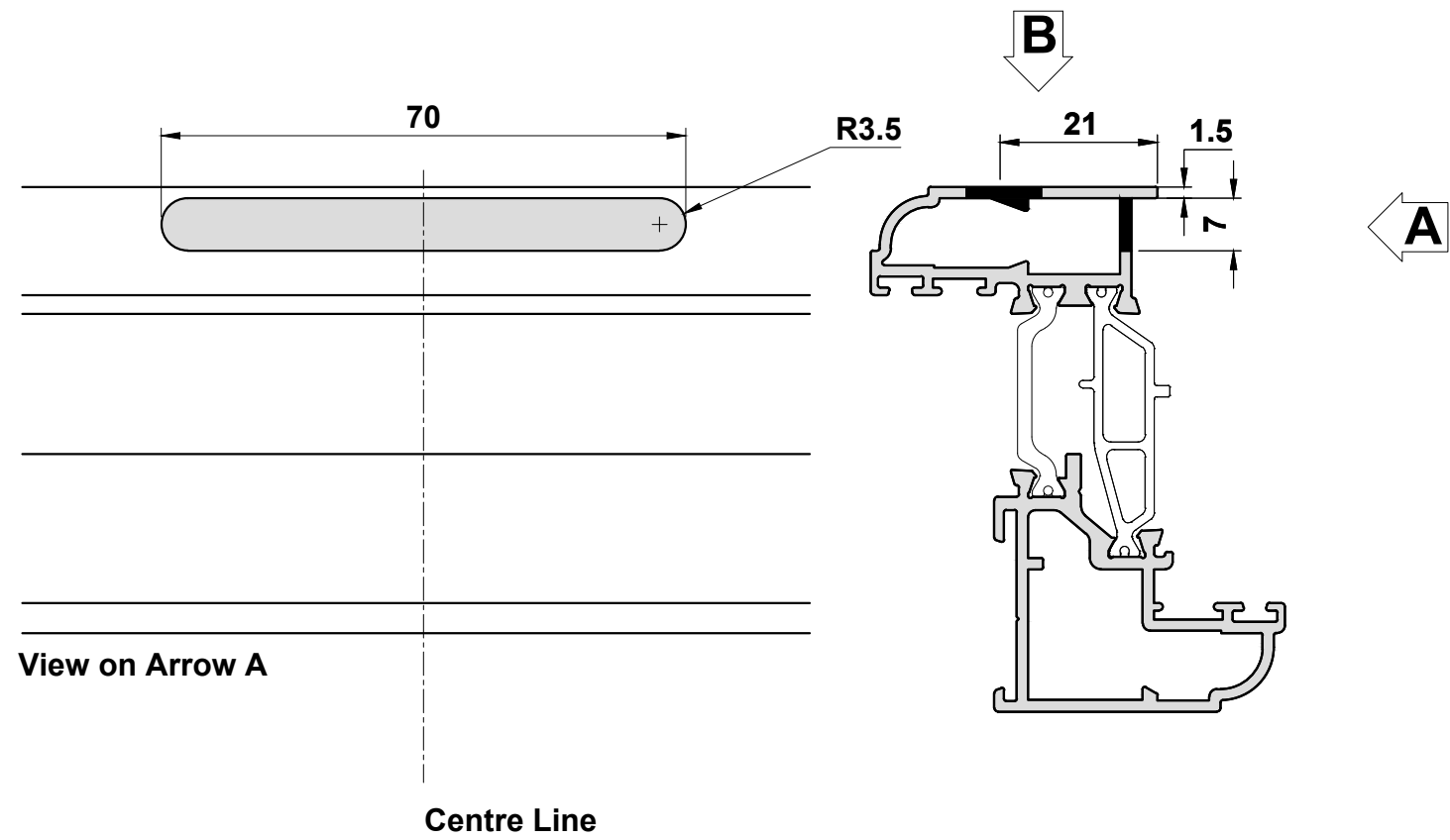
For further information regarding clear openings, please see the Smart Systems' White Paper Document B

Do Not Scale From This Drawing

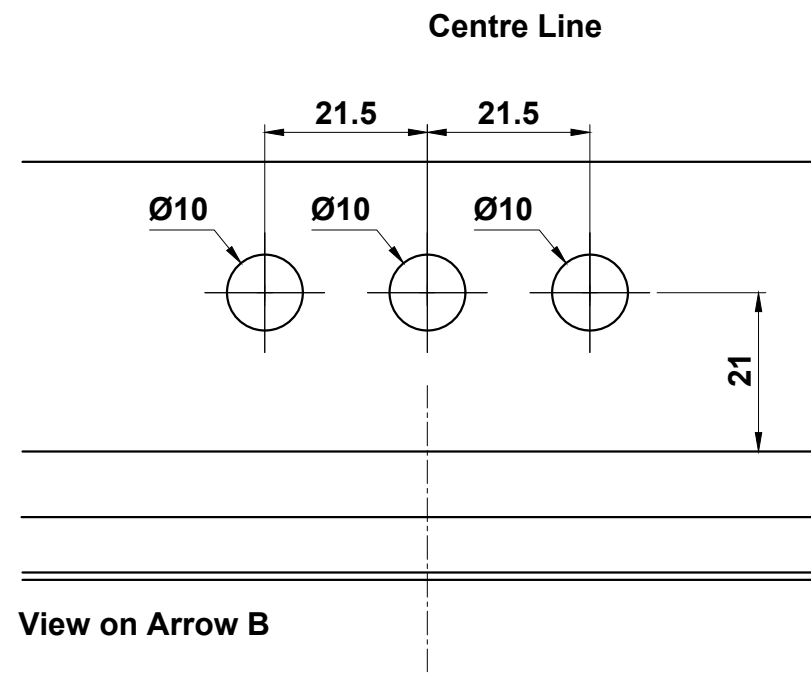
Espagnolette Locking Preparation

Part Code	Rod Length (mm)	Number of Keeps	Sash Rebate Size ('A')	
			Minimum	Maximum
ACET801L	335	2	340	505
ACET801R				
ACET802L	500	2	506	755
ACET802R				
ACET803L	750	2	756	1005
ACET803R				
ACET804L	1000	4	1006	1255
ACET804R				
ACET805L	1250	4	1256	1400
ACET805R				

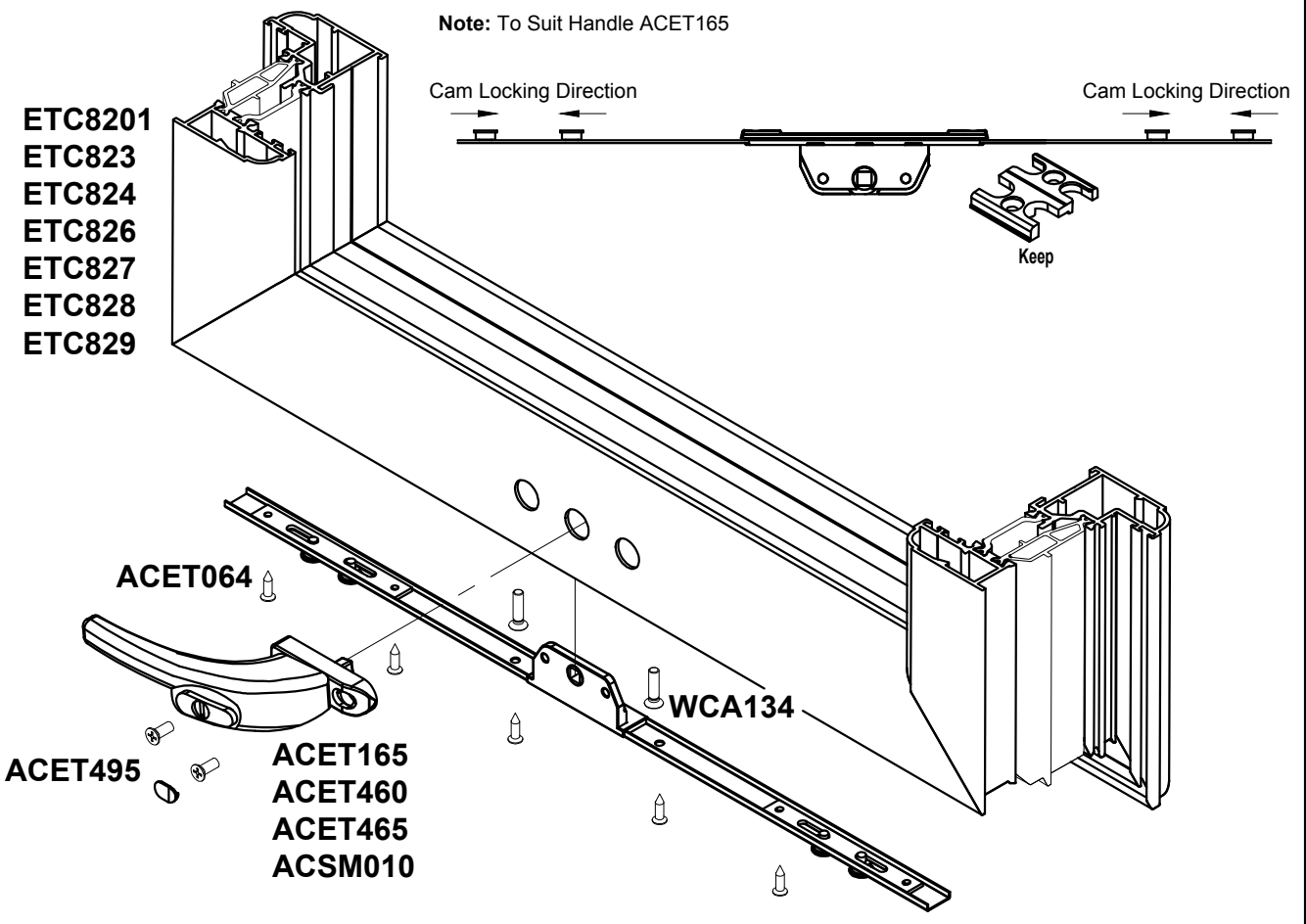
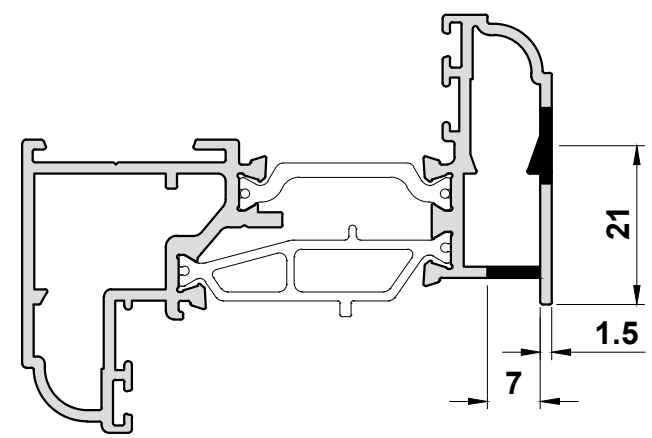
Note: To Suit Handle ACET165



View on Arrow A

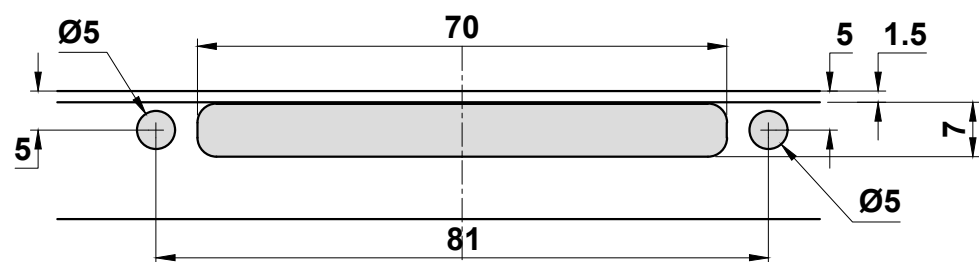


View on Arrow B



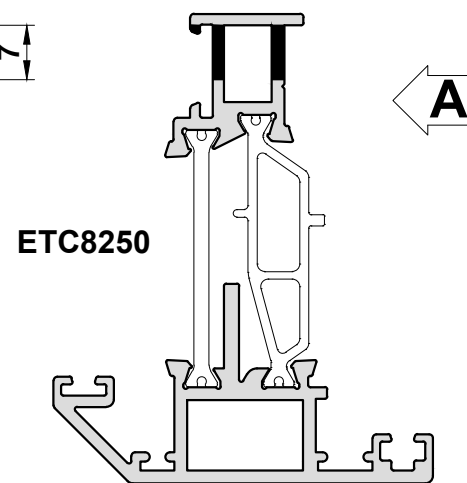
Do Not Scale From This Drawing

ETC8250 Shootbolt Locking Preparation

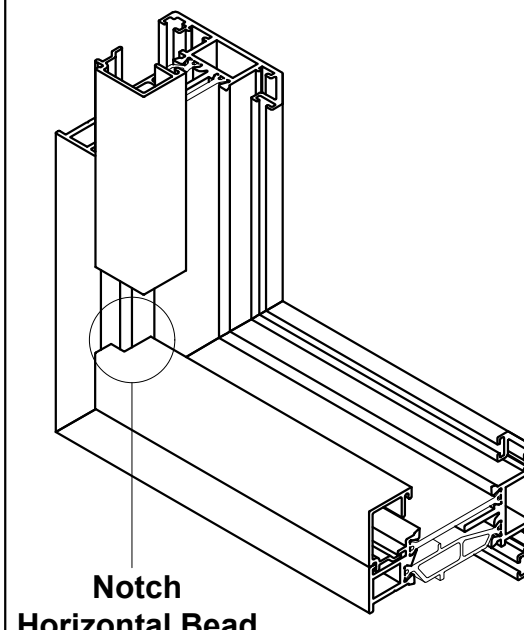
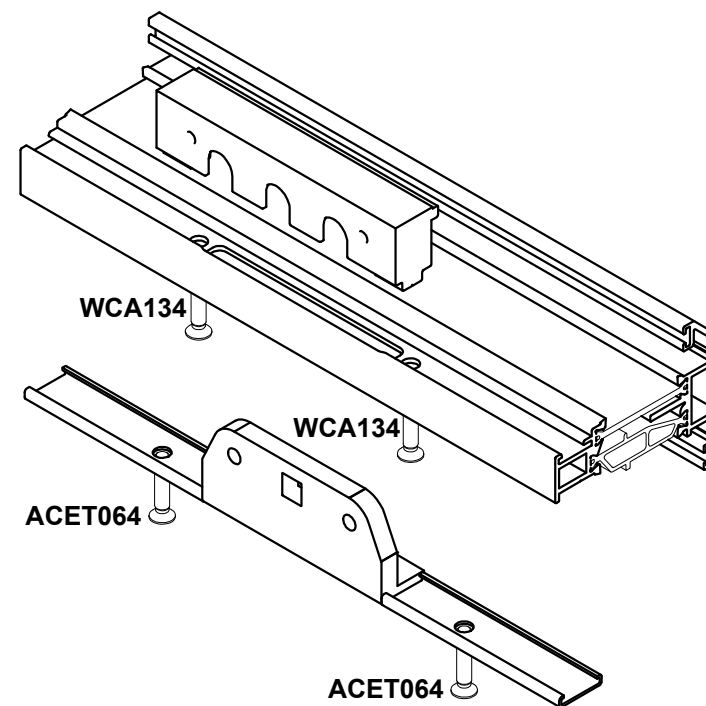


View on Arrow A

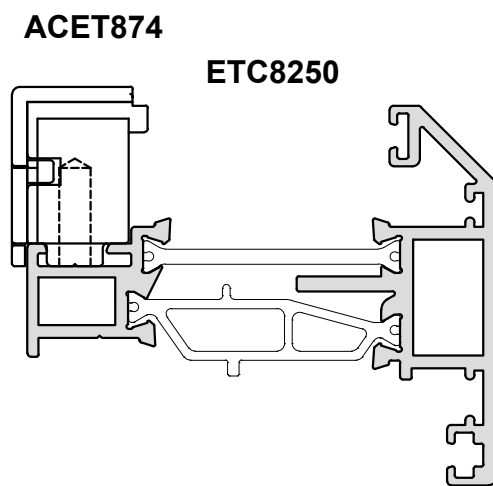
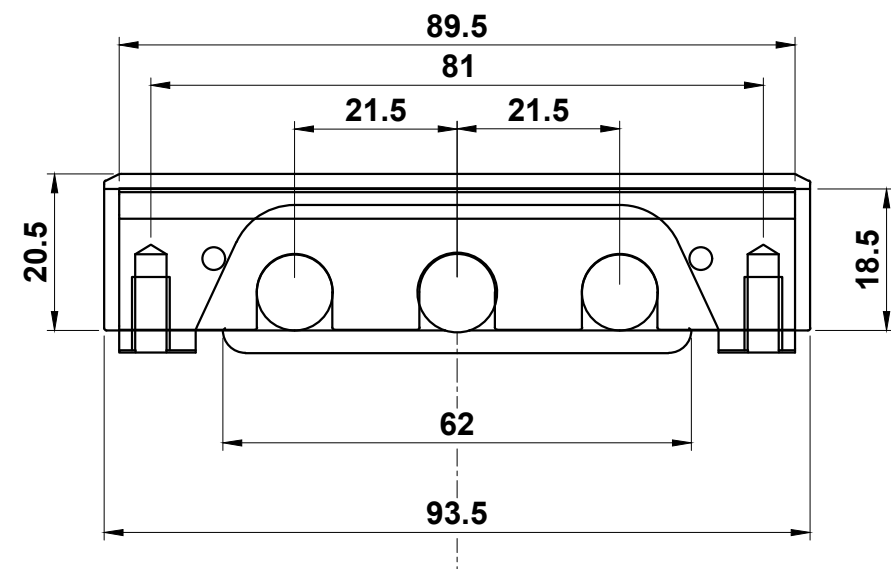
Centre Line



ETC8250

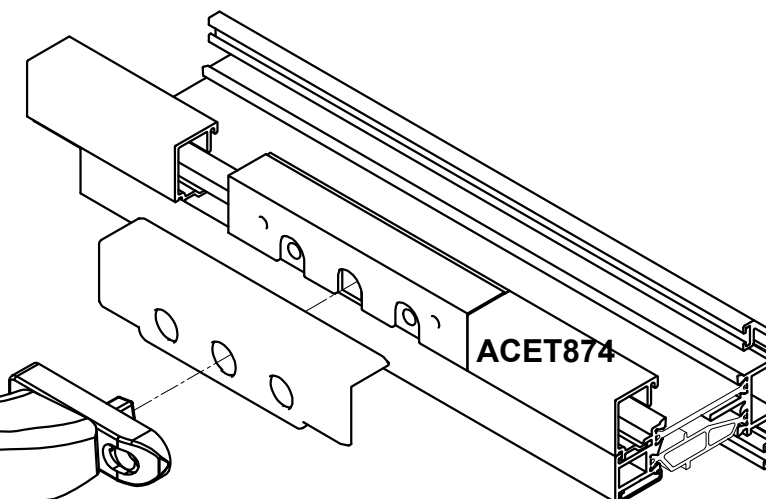


Notch
Horizontal Bead



ACET874

ETC8250

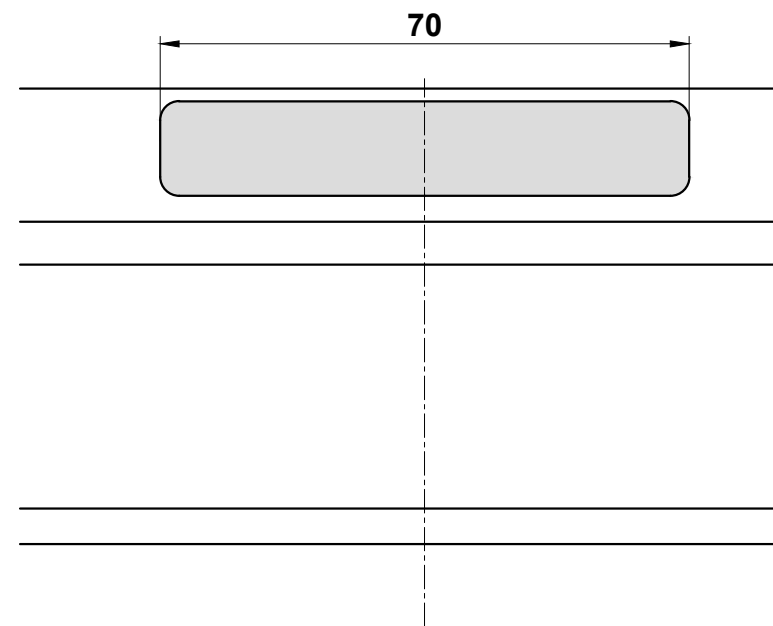


ACET165
ACET460
ACET465
ACSM010

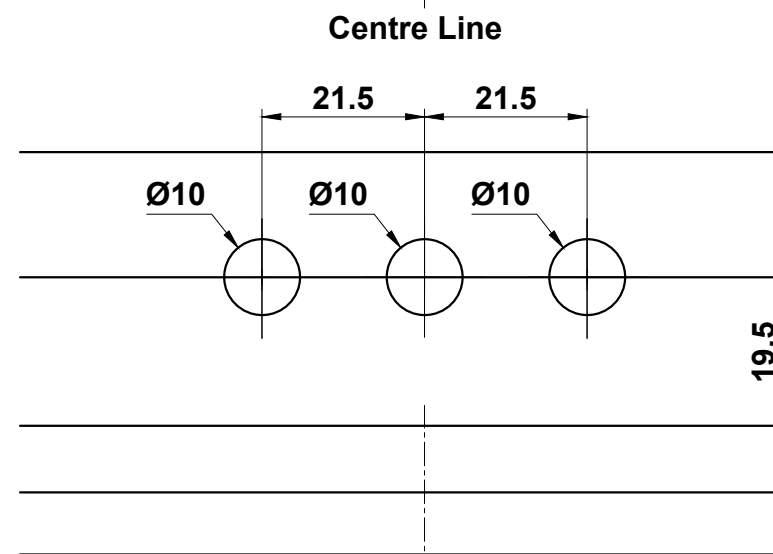
ACET495

Do Not Scale From This Drawing

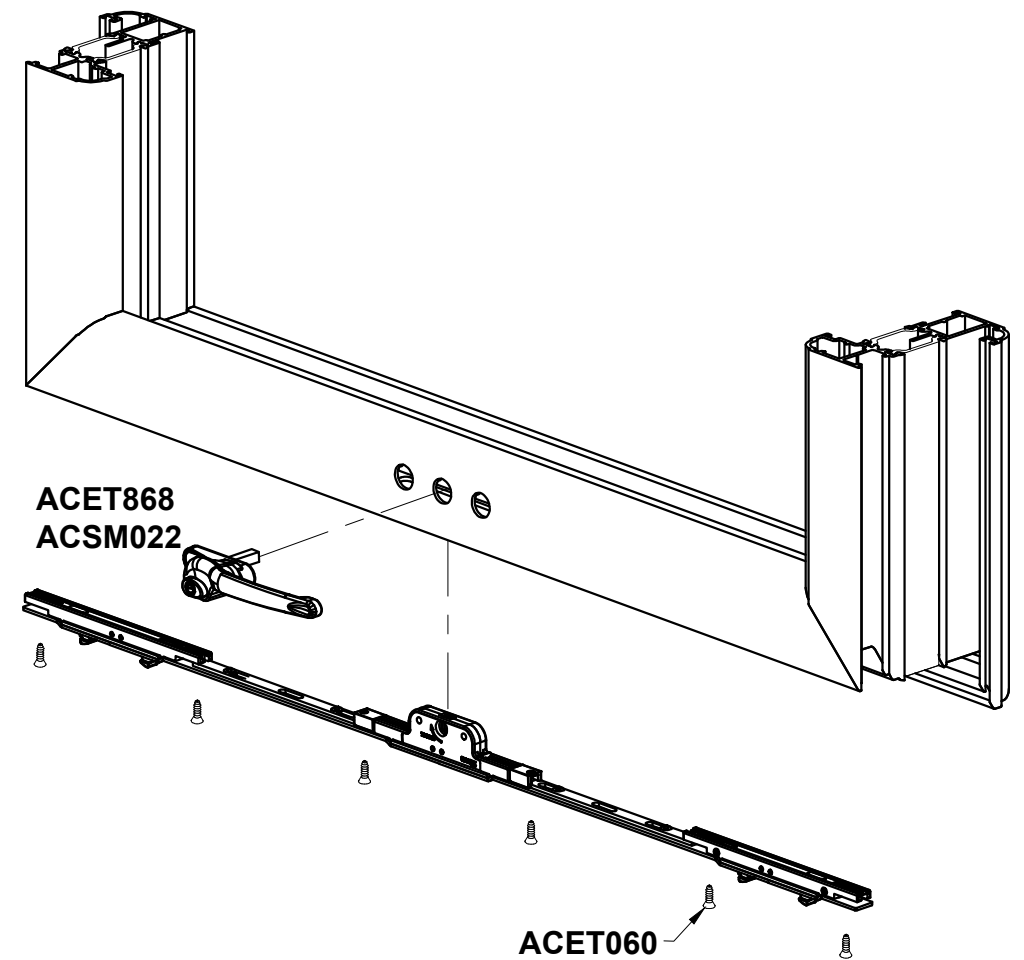
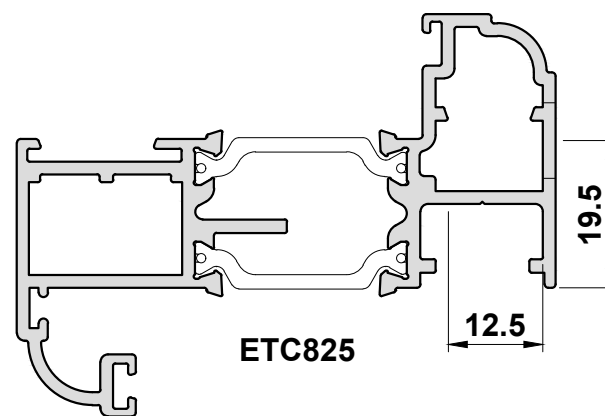
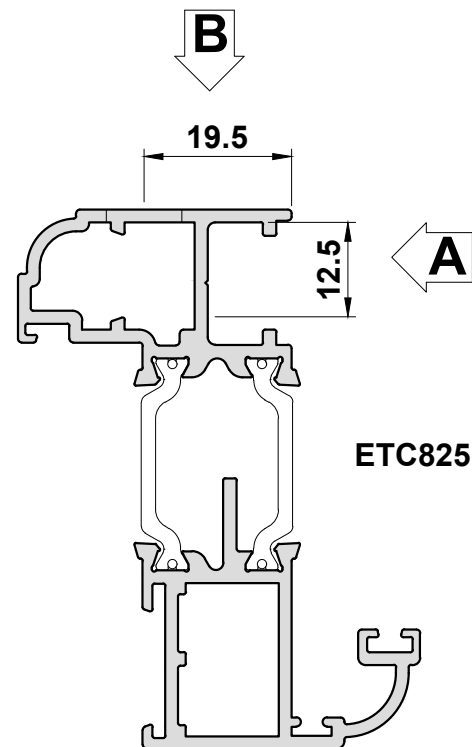
Multi-point Locking Preparation For ETC825



View on Arrow A

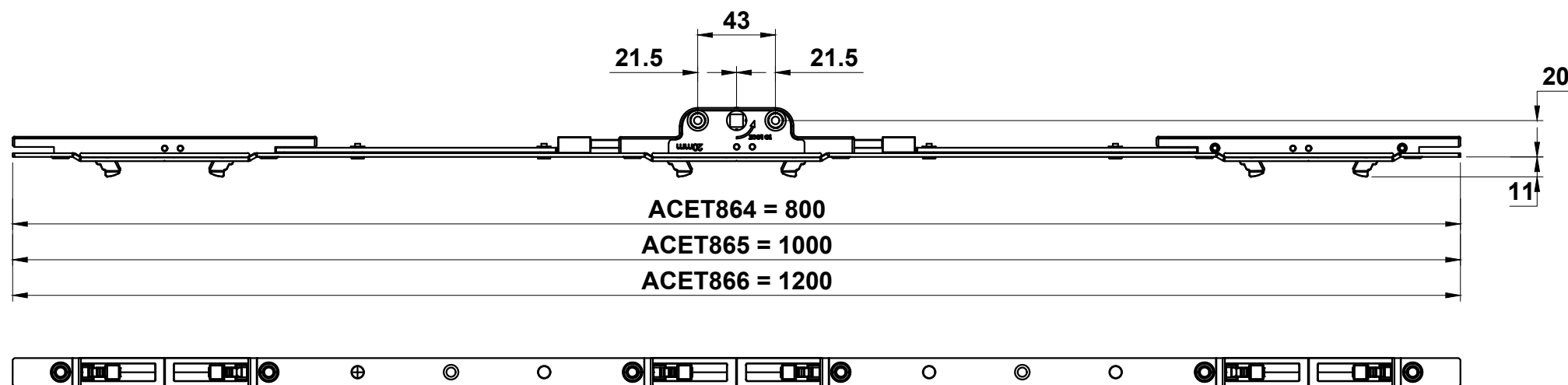
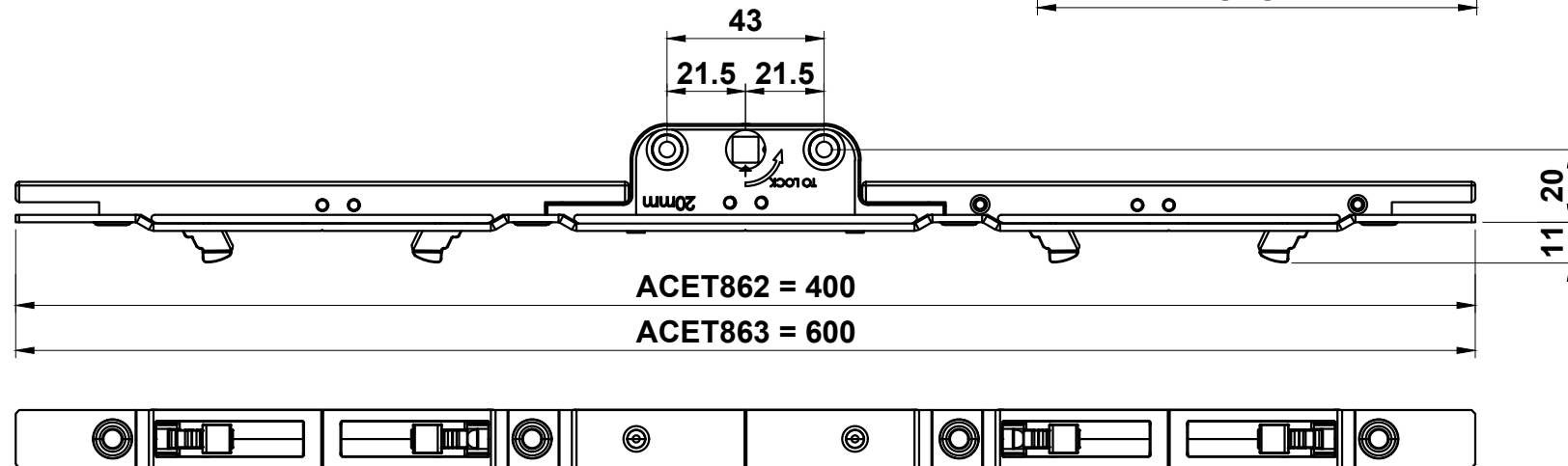
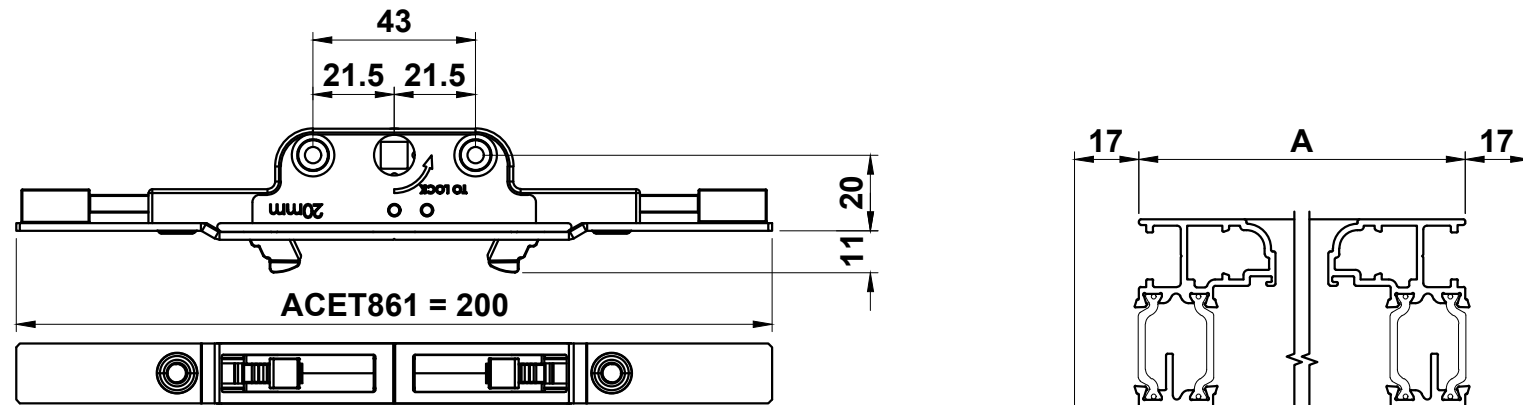


View on Arrow B



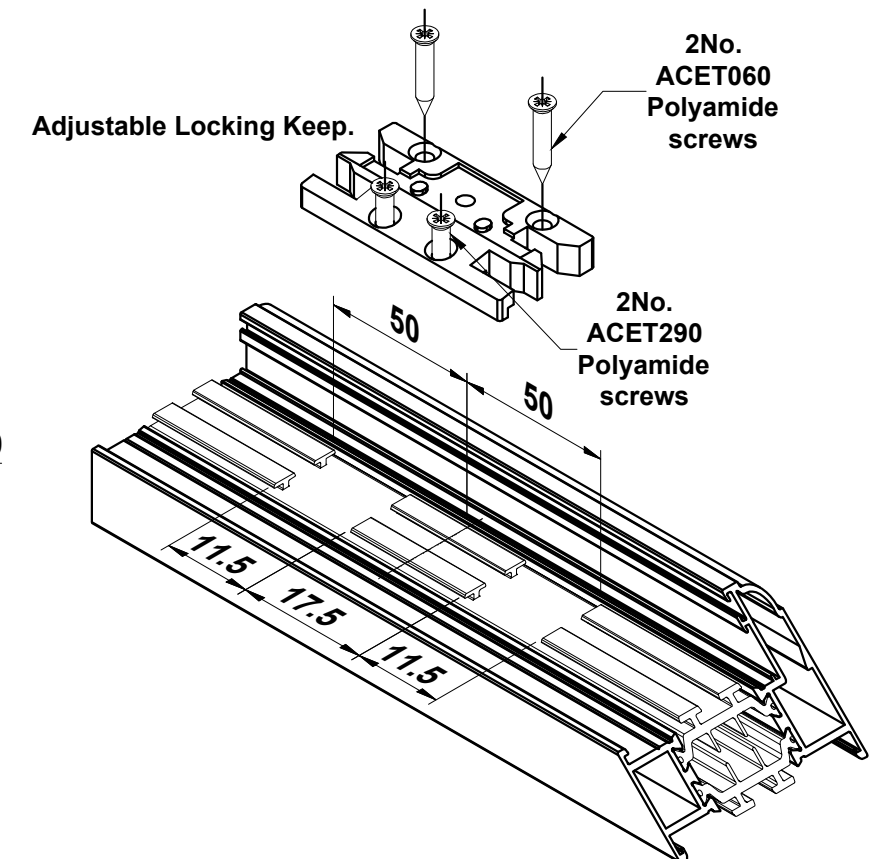
Do Not Scale From This Drawing

ETC825 Lock Details



Part Code	Rod Length (mm)	Number of Keeps	Sash Rebate Size ('A')	
			Minimum	Maximum
ACET861	200	1	200	400
ACET862	400	2	400	600
ACET863	600	2	600	800
ACET864	800	3	800	1000
ACET865	1000	3	1000	1200
ACET866	1200	3	1200	1400

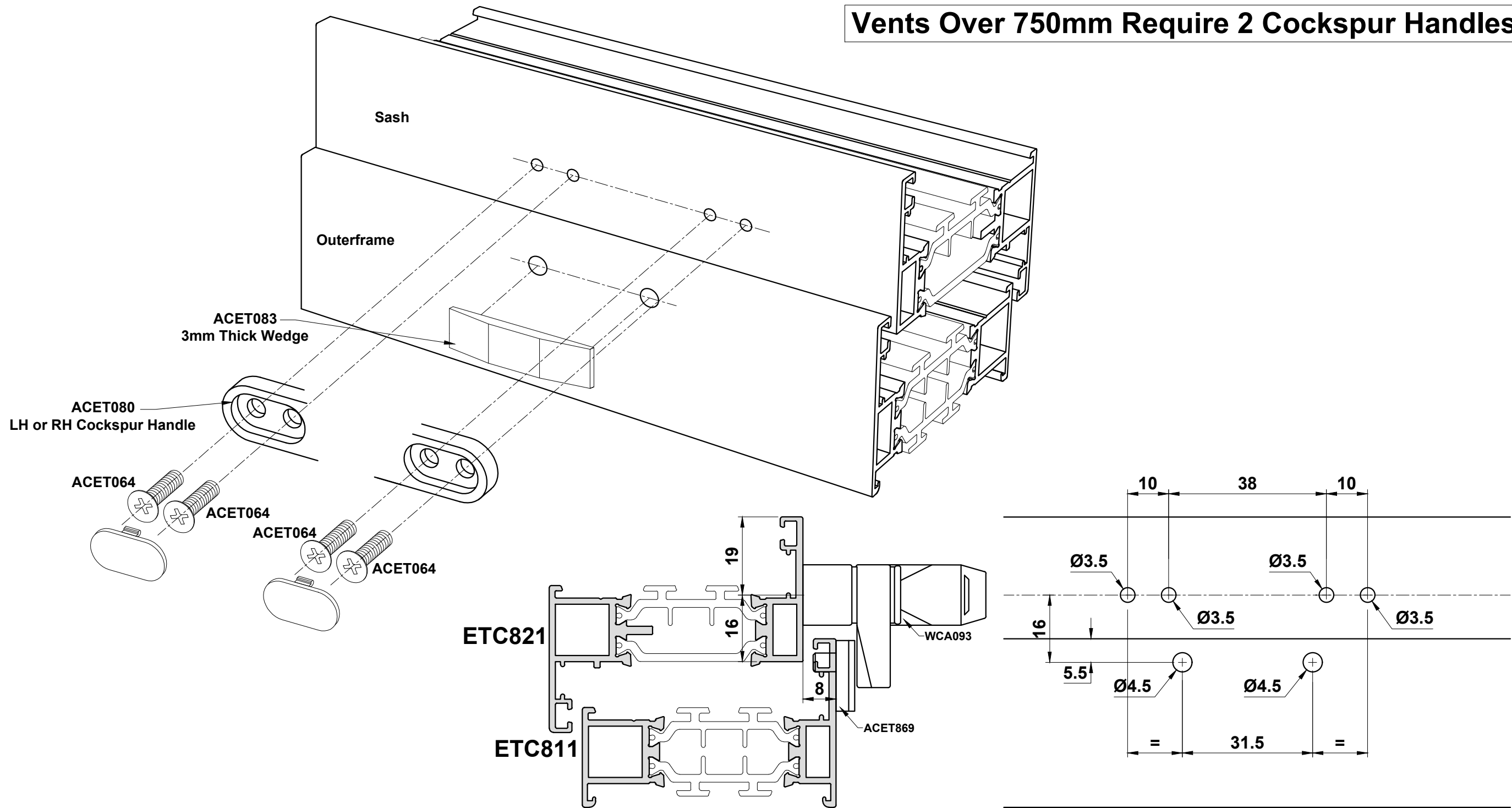
Note: To Suit Handle ACET868



Do Not Scale From This Drawing

Cockspur Preparation

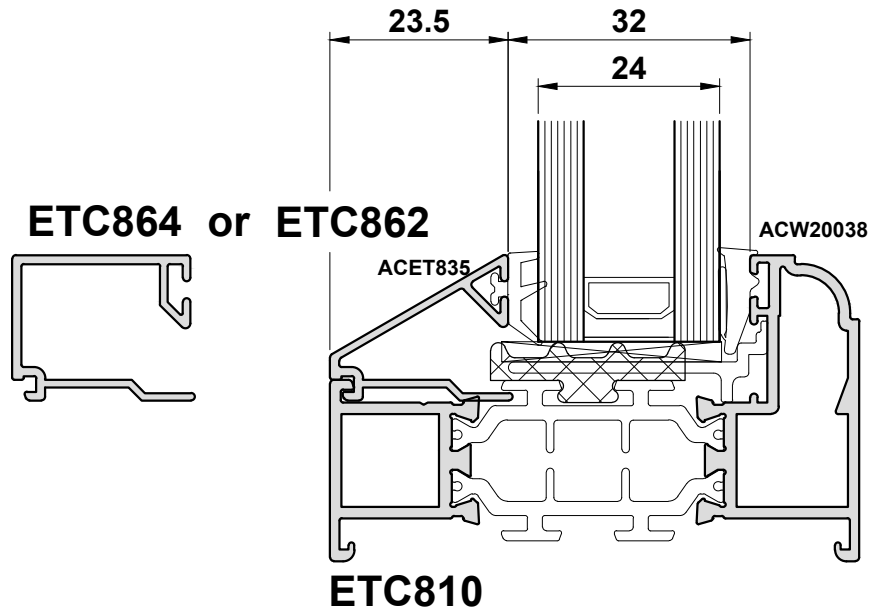
Vents Over 750mm Require 2 Cockspur Handles



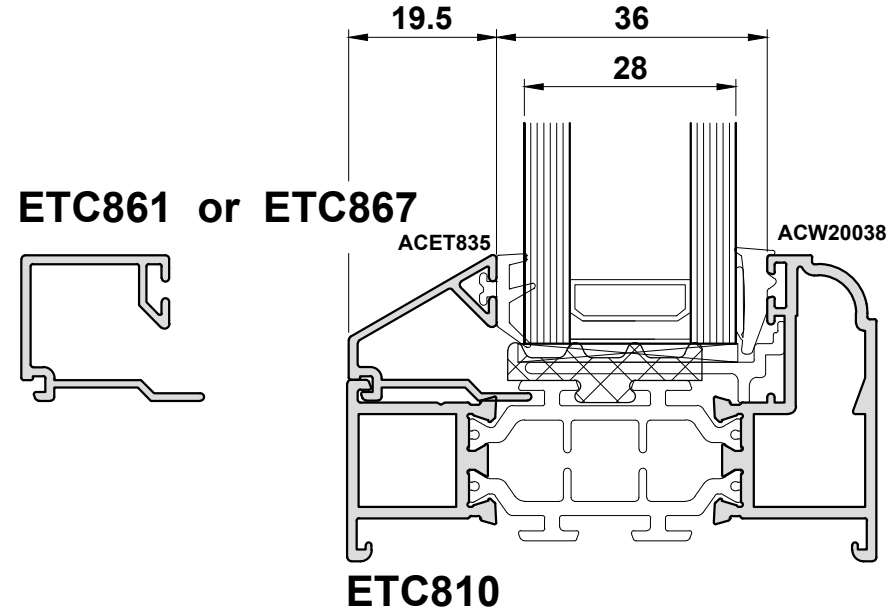
Do Not Scale From This Drawing

External Glazing Chart

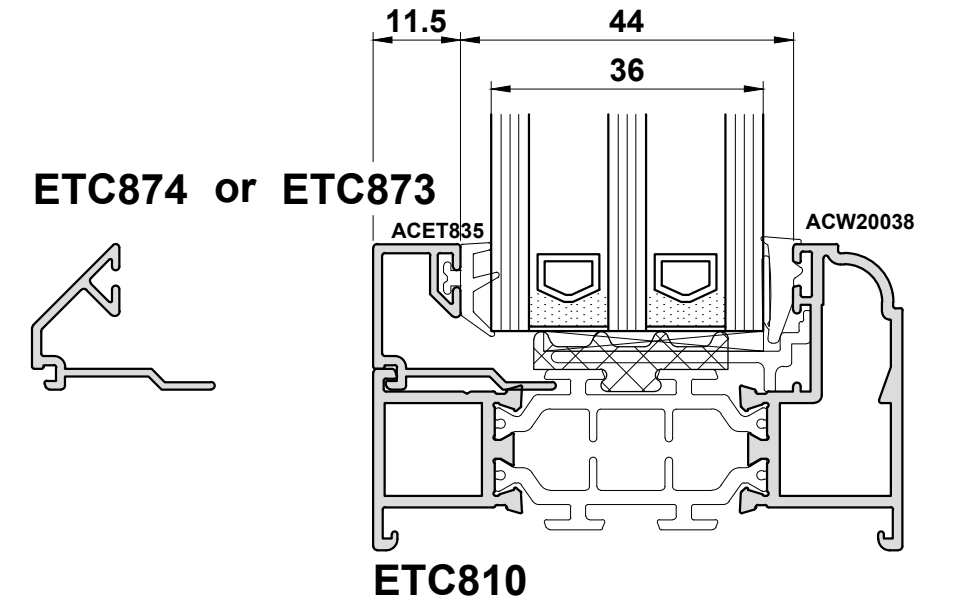
Externally Beaded Sections
24mm Glazing



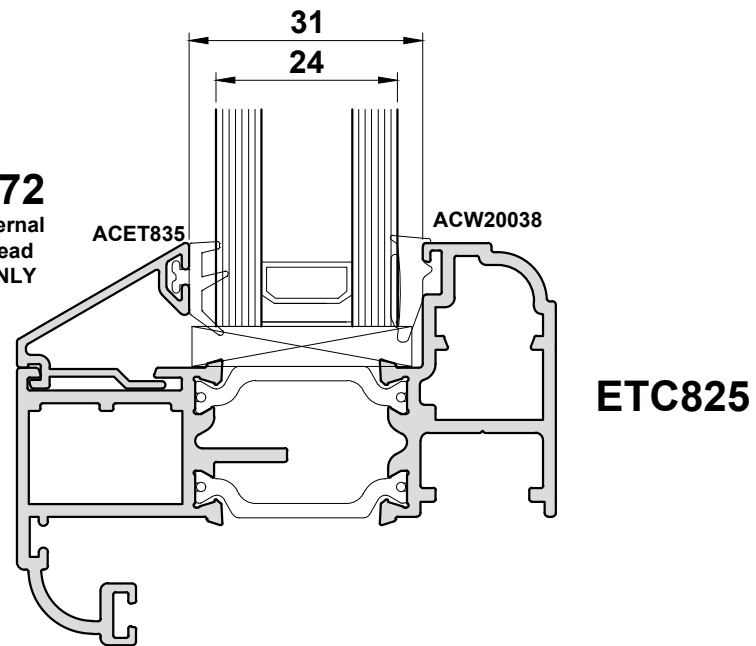
Externally Beaded Sections
28mm Glazing



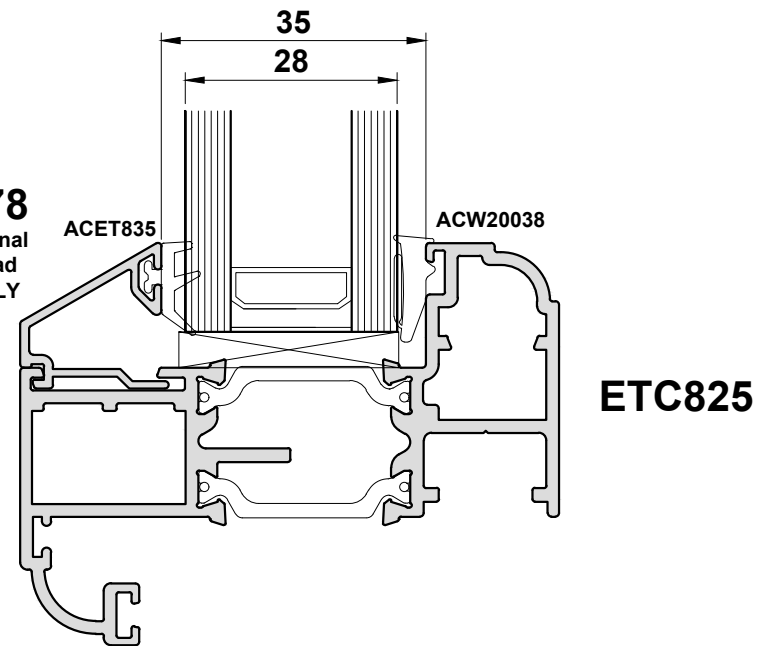
Externally Beaded Sections
36mm Glazing



ETC872
24mm External
Glazing Bead
ETC825 ONLY



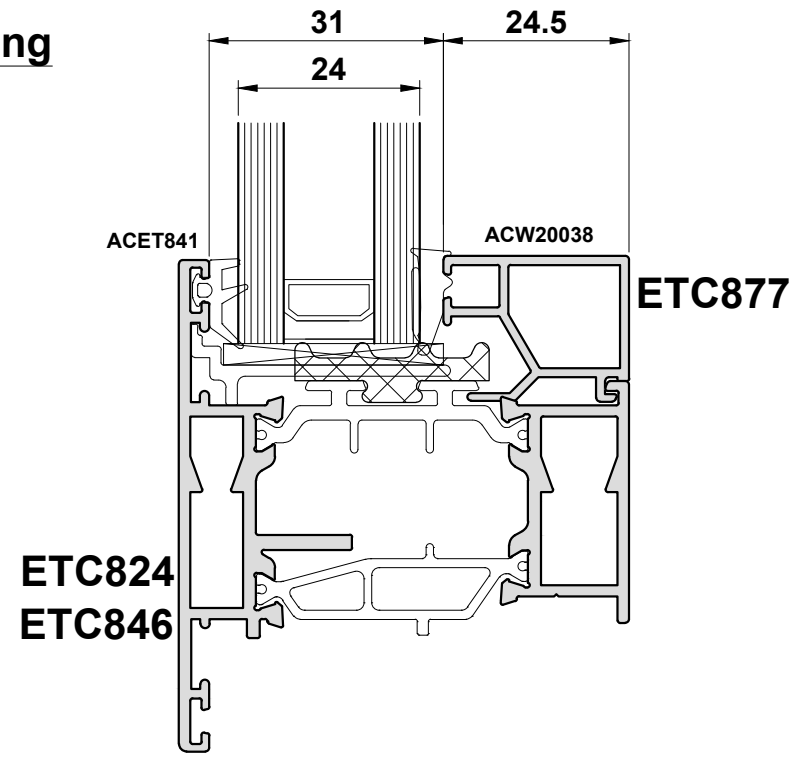
ETC878
28mm External
Glazing Bead
ETC825 ONLY



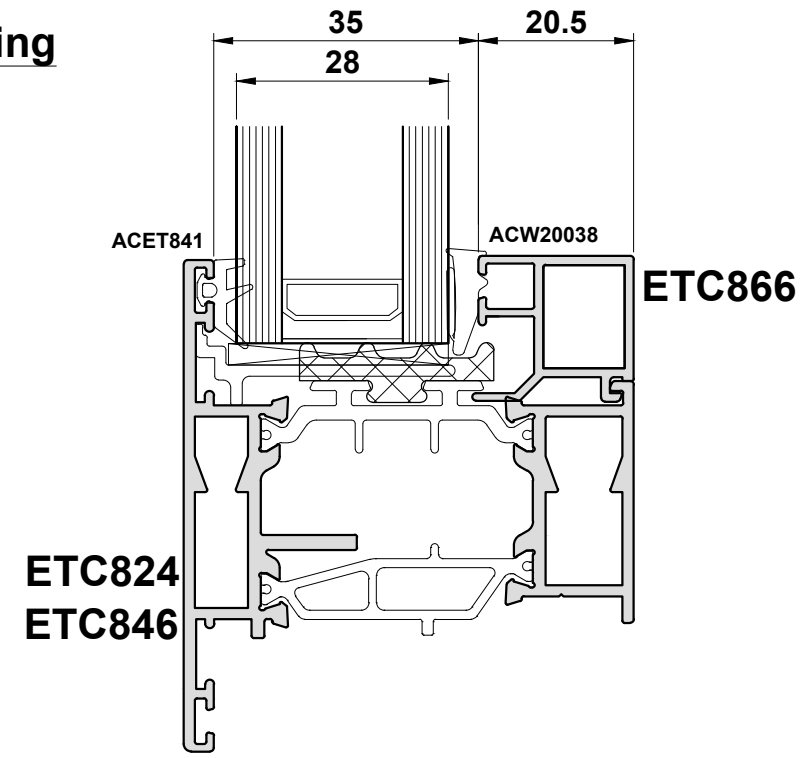
Do Not Scale From This Drawing

Internal Glazing Chart

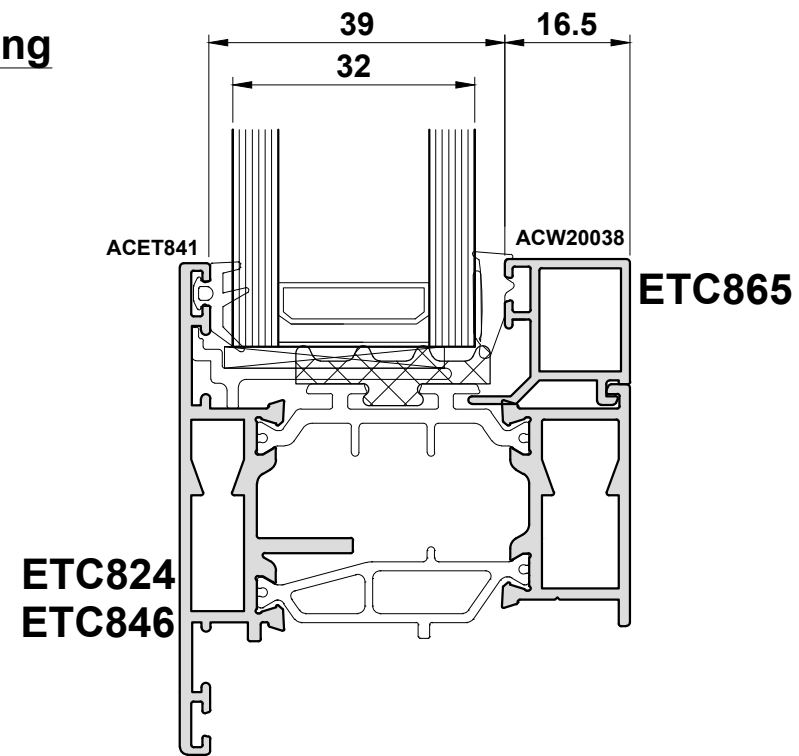
24mm Glazing



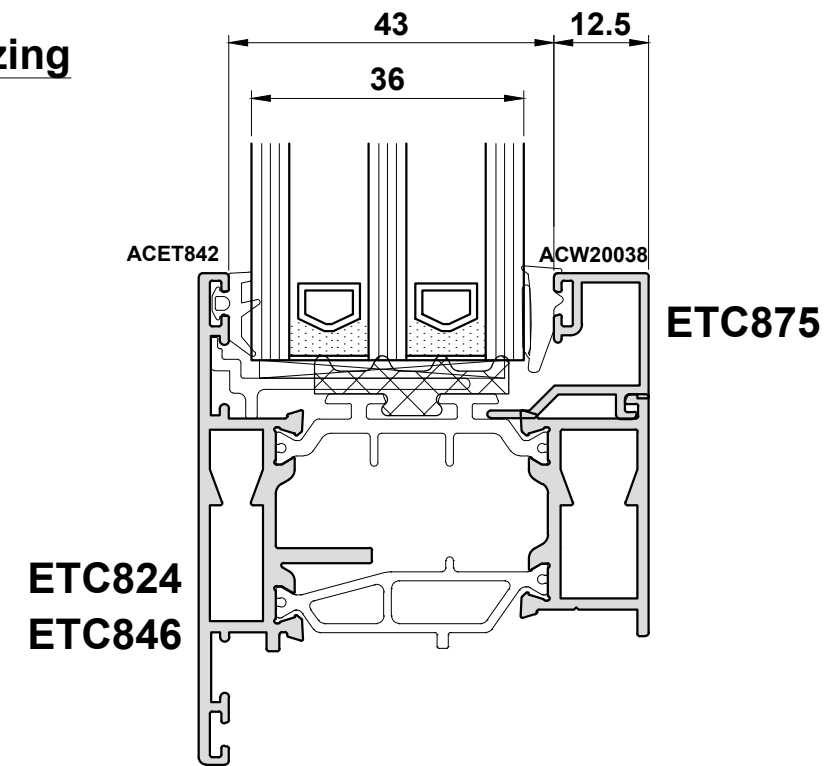
28mm Glazing



32mm Glazing



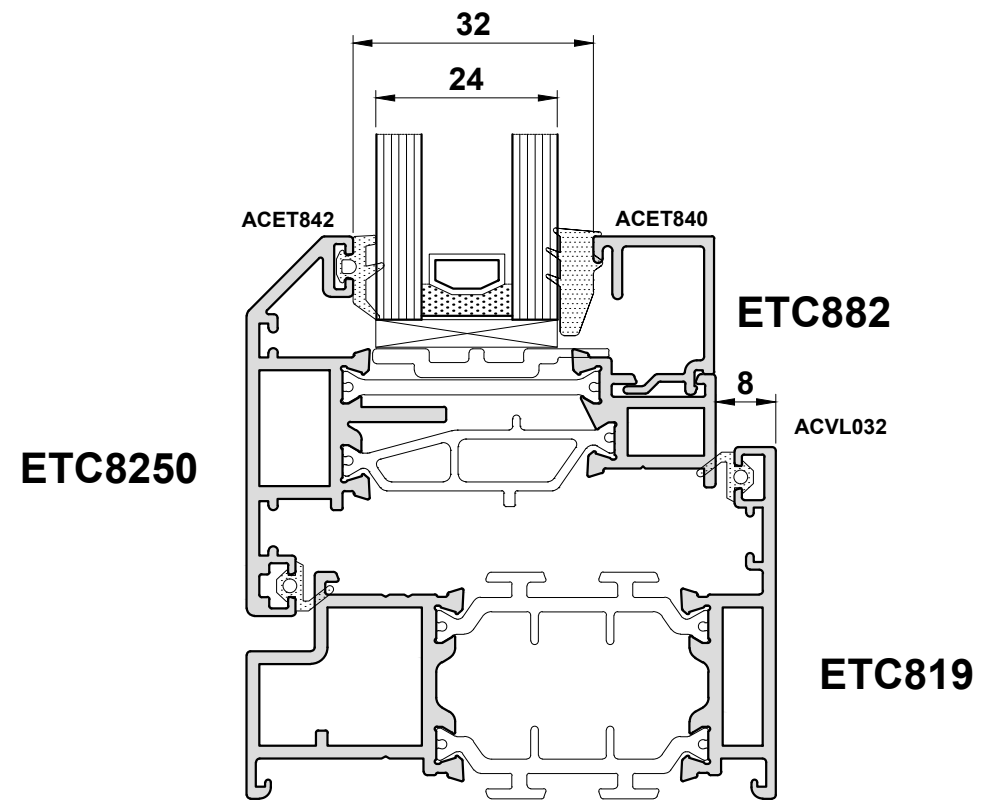
36mm Glazing



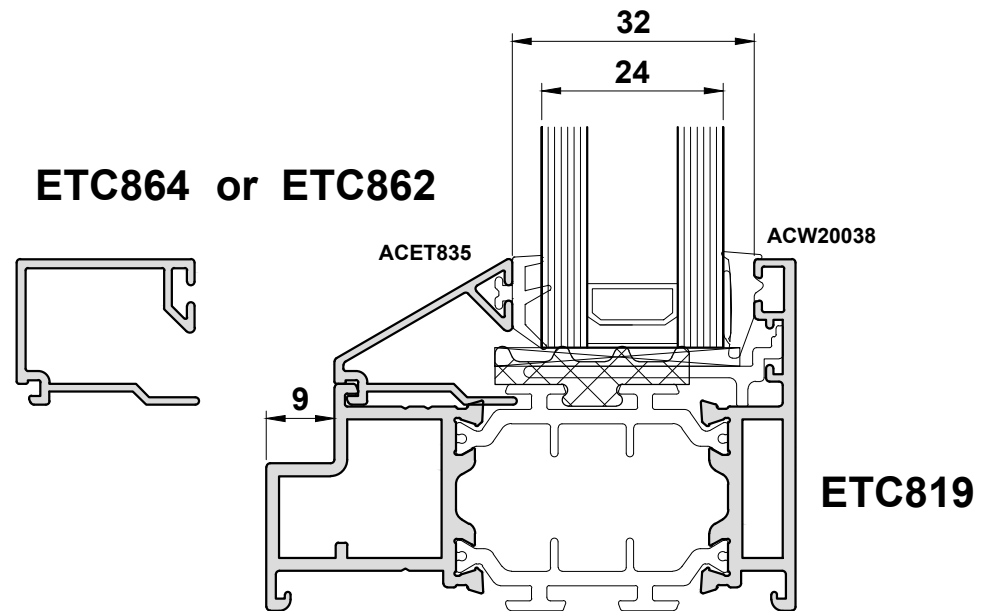
Glazing Chart for Flush Casement

**Sash
(Flush)**

Please Note
ETC8250 sash profile is suitable for
24mm glazing only.

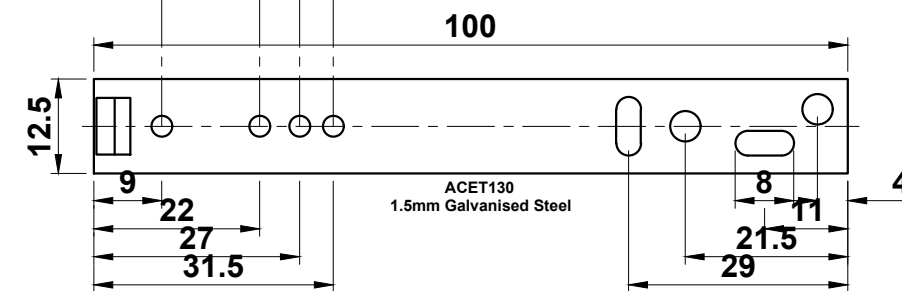
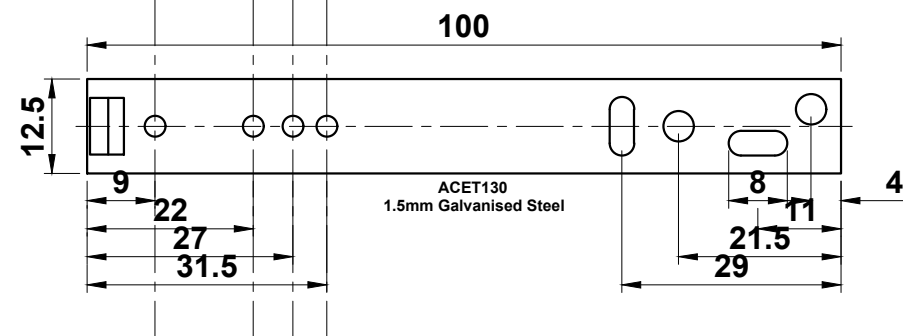
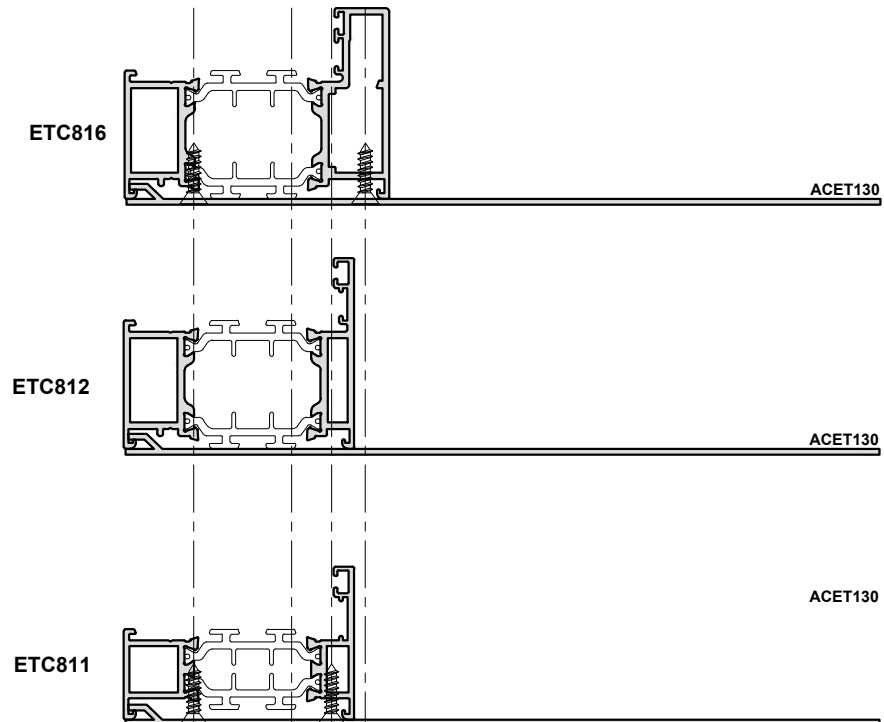
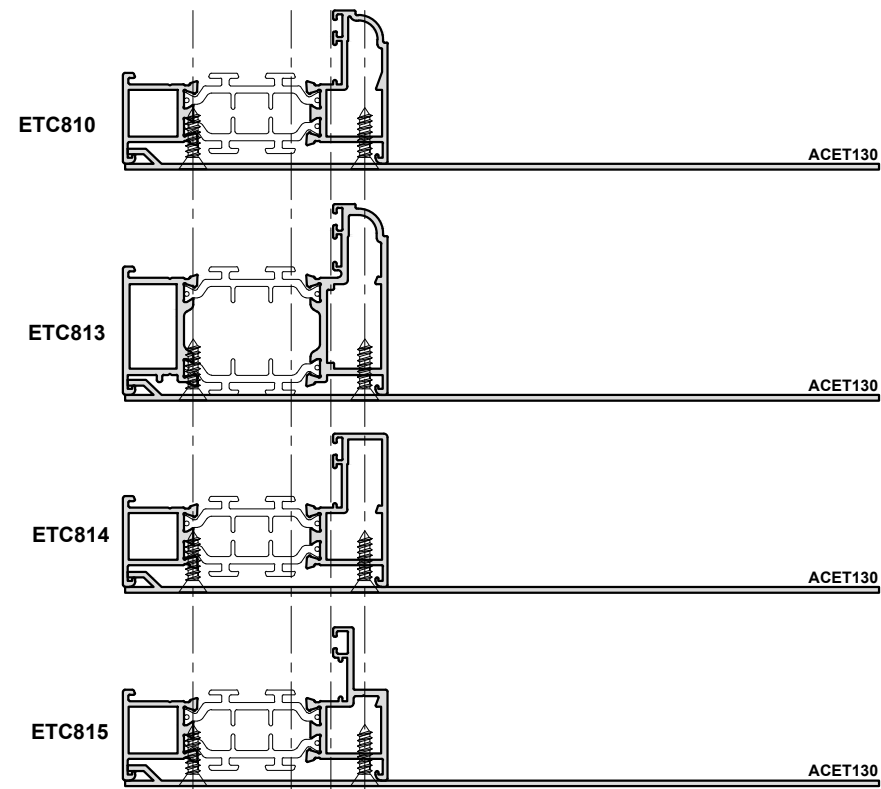


**Fixed Frame
(Stepped)**



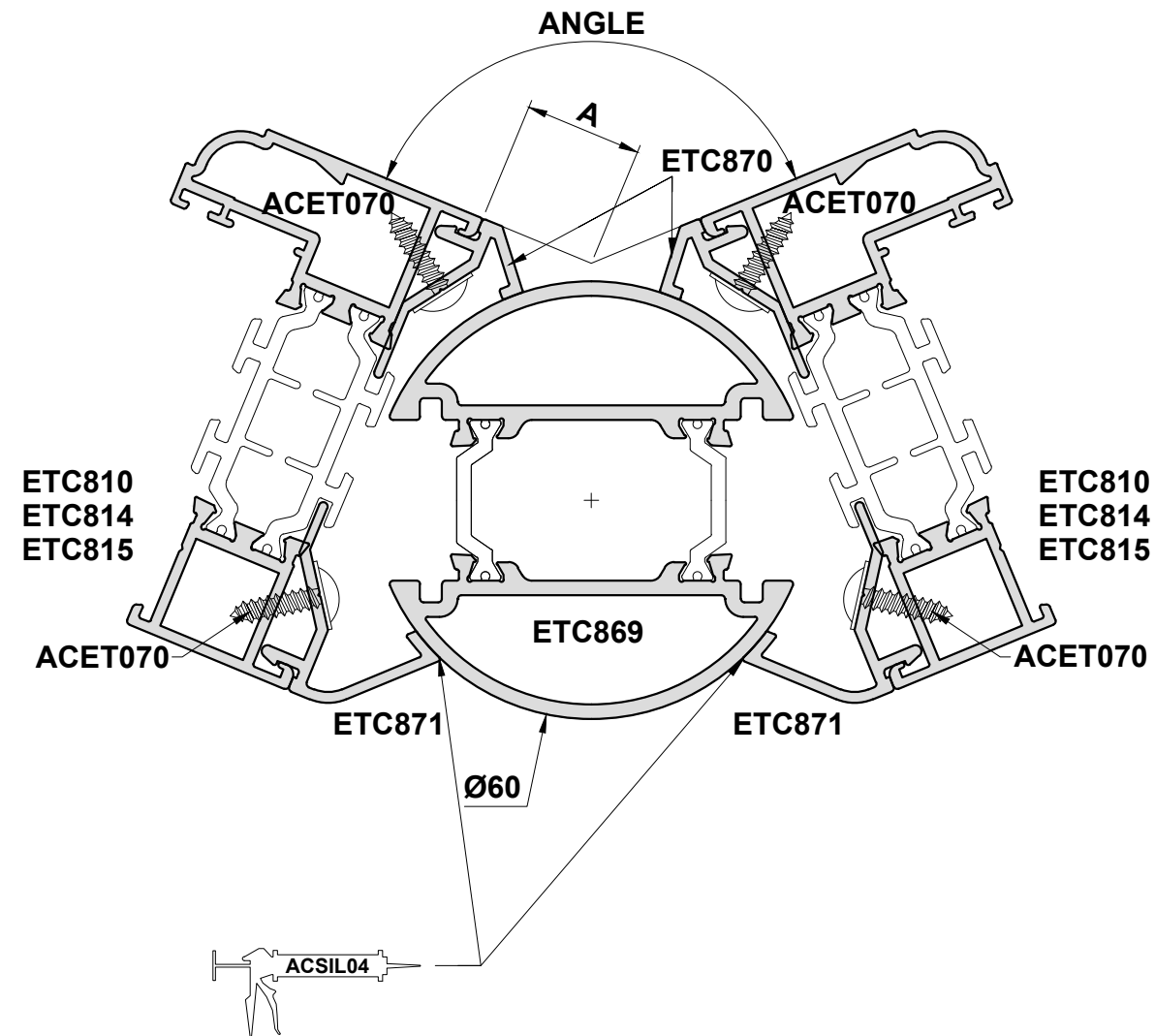
Fixing Strap Details

NOTE:
Fixing straps should be spaced a minimum of 150mm in from each end & at a maximum of 300mm apart.



ETC870 & ETC871 Bay Pole Adaptors

Important Note: Seal all joints using ACSIL04.

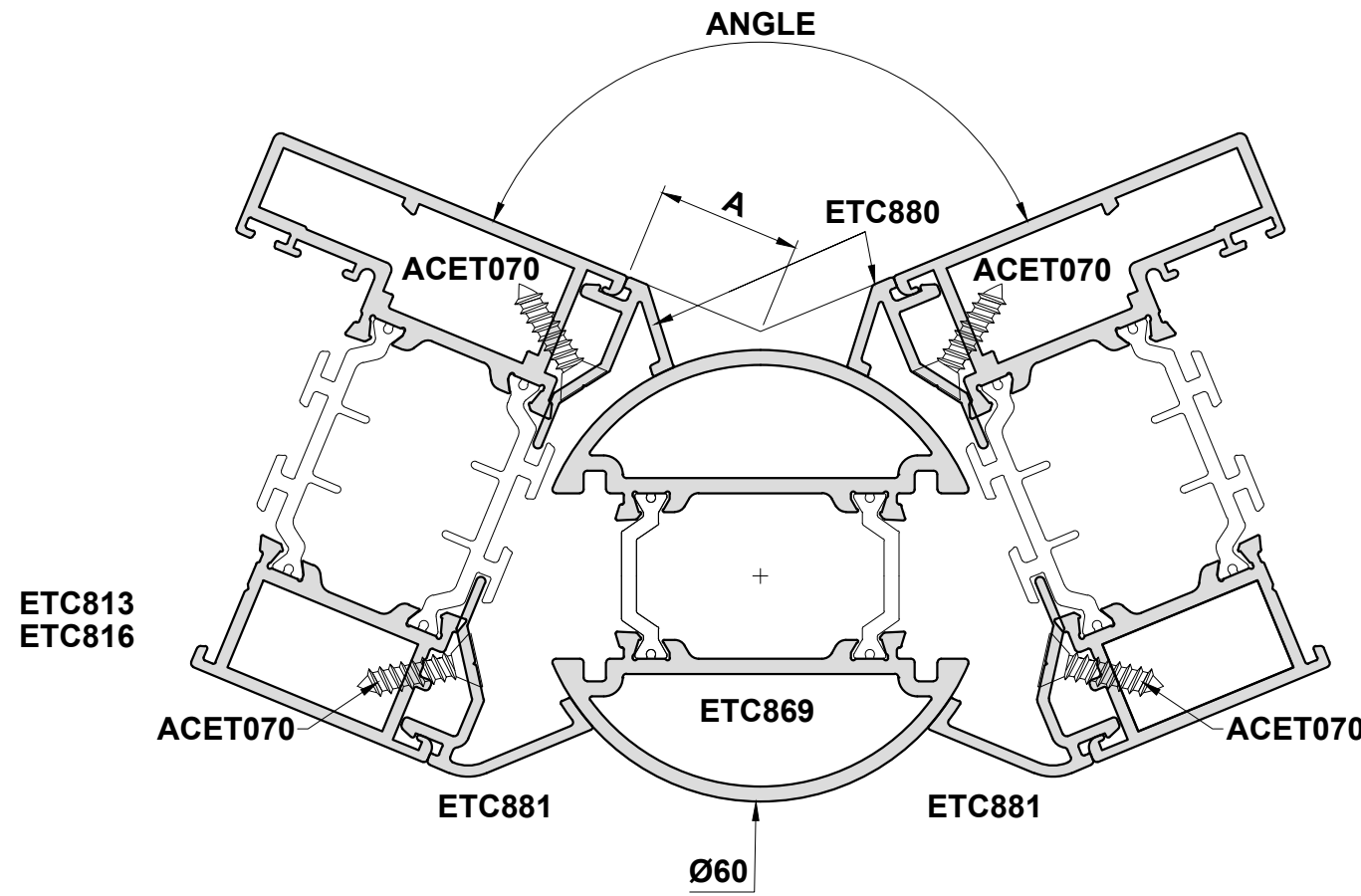


ANGLE	DEDUCTION 'A'
180°	28.5
175°	27
170°	26
165°	24.5
160°	23
155°	22
150°	20.5
145°	19
140°	17.5
135°	16
130°	14.5
125°	13
120°	11.5
115°	10.5
110°	7.5
105°	5.5
100°	3.5

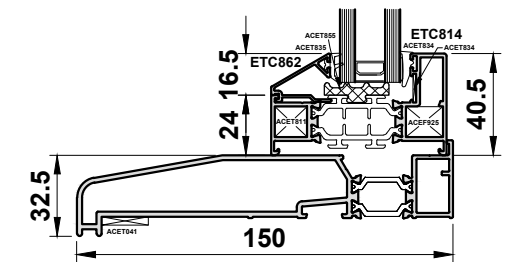
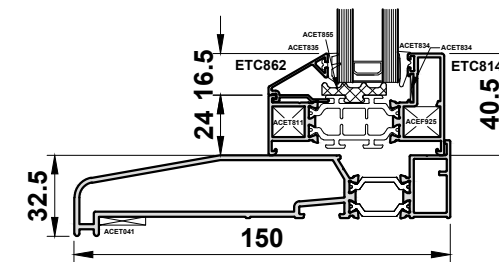
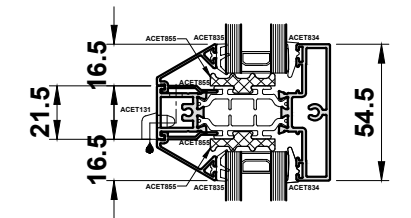
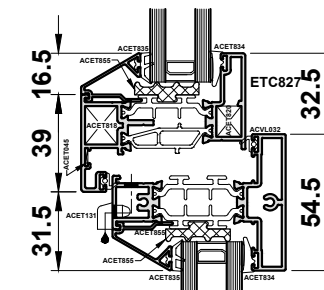
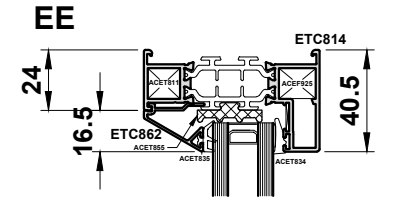
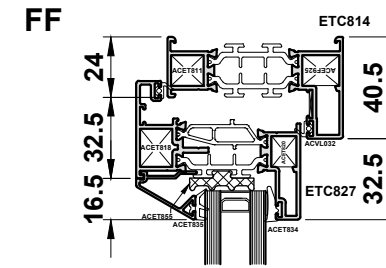
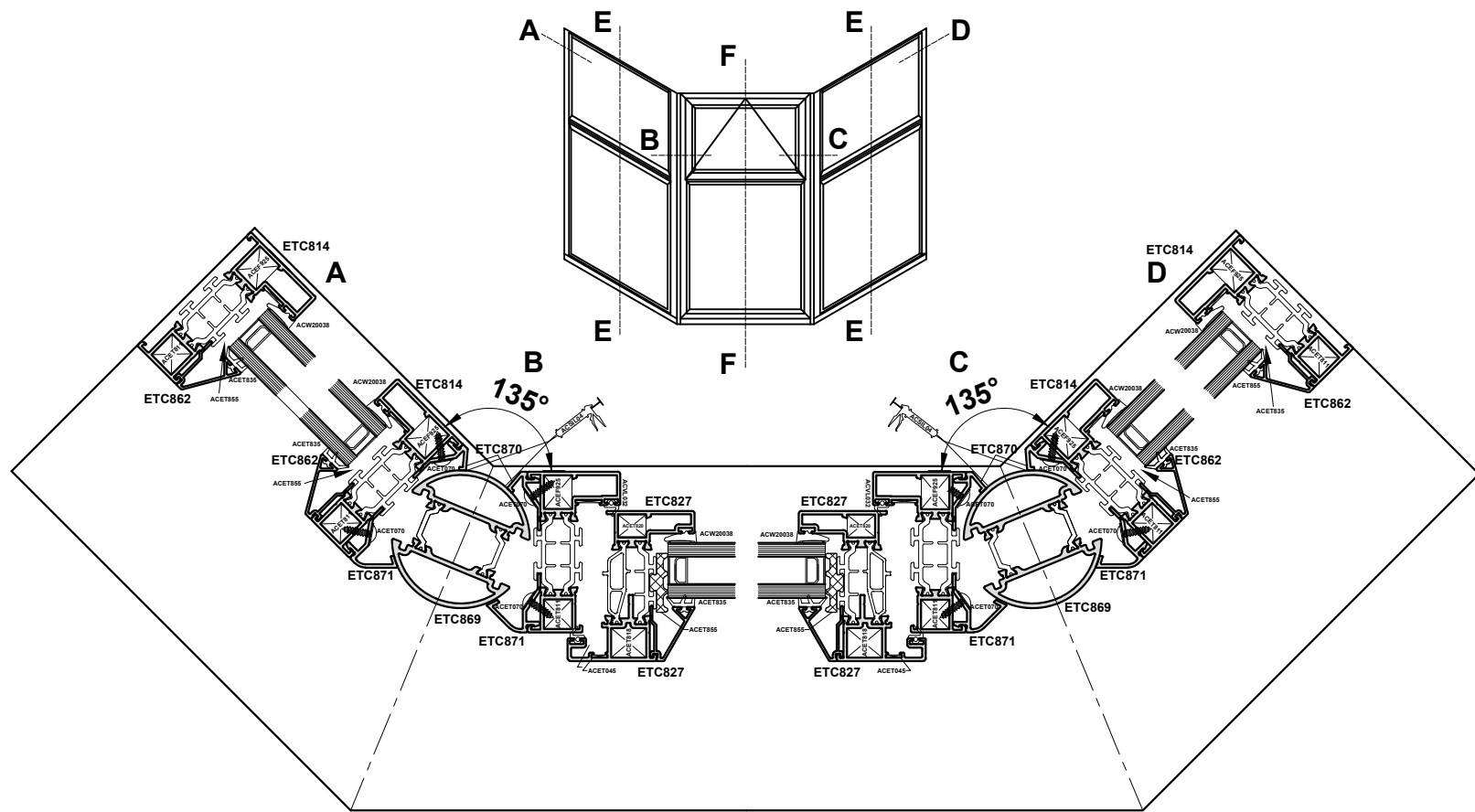
Do Not Scale From This Drawing

ETC880 & ETC881 Bay Pole Adaptors

Important Note: Seal all joints using ACSIL04.

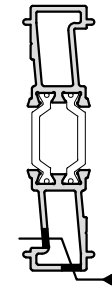
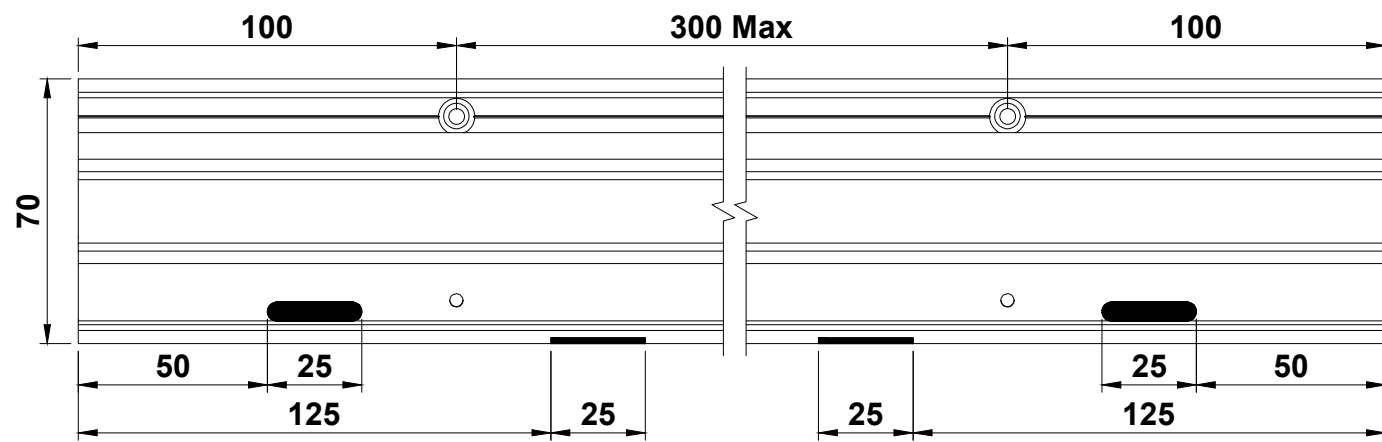


ANGLE	DEDUCTION 'A'
180°	31.5
175°	30
170°	29
165°	27.5
160°	26
155°	25
150°	23.5
145°	22
140°	20.5
135°	19
130°	17.5
125°	16
120°	14
115°	12.5
110°	10.5
105°	8.5
100°	6.5



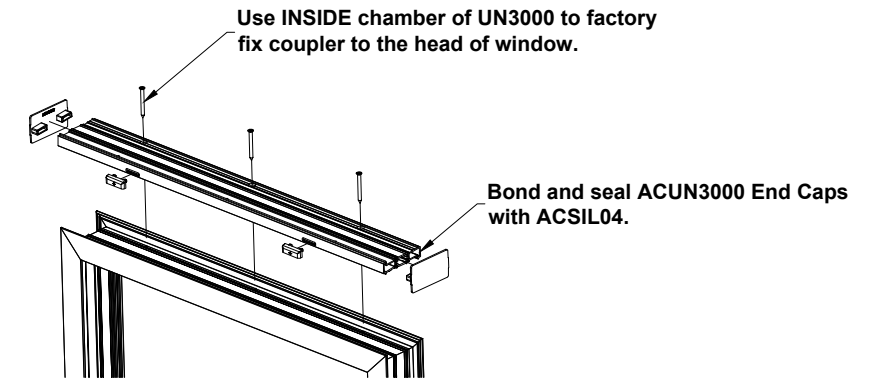
Do Not Scale From This Drawing

UN3000 Horizontal Coupler Detail

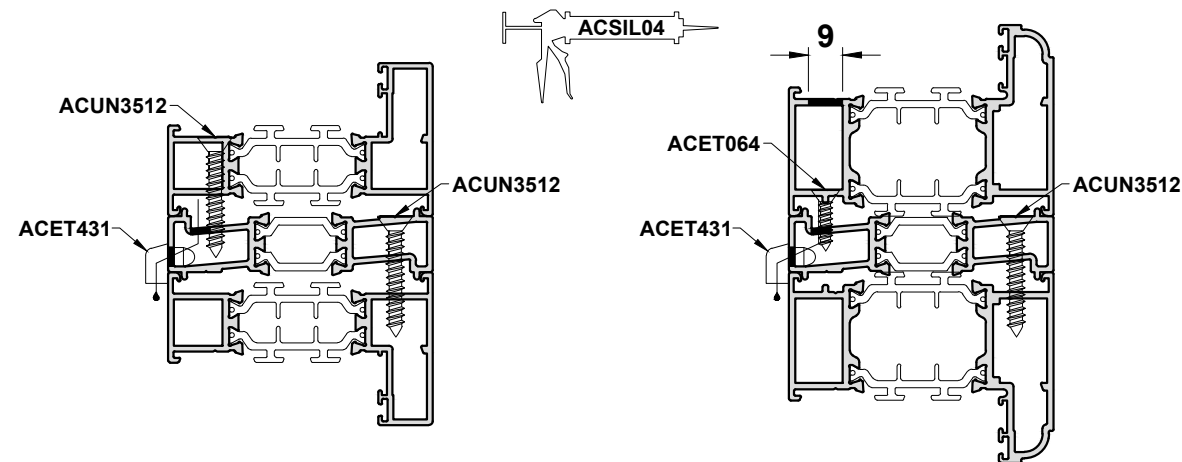


Zone Drainage of Jamb Cavity

CWCT Built up wall guidance recommends drainage of Jamb Cavity



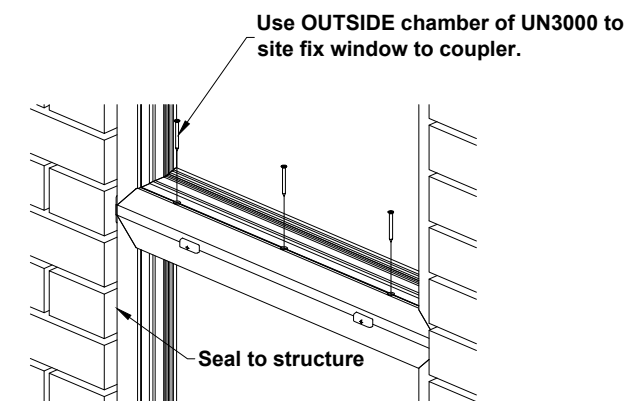
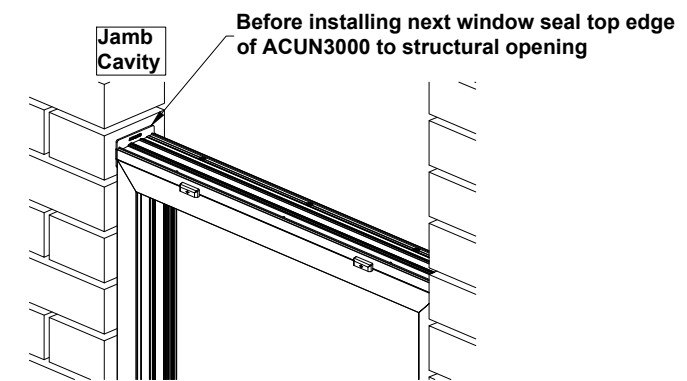
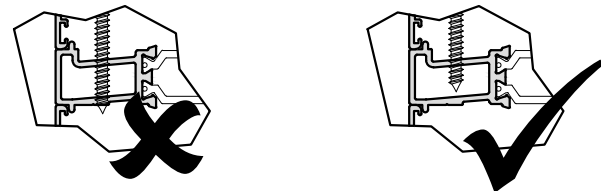
Important Note: Seal all joints to UN3000 using ACSIL04.



**ETC810
ETC814
ETC815**

**ETC813
ETC816**

Important Note: Do not screw through drainage channel.



Section F

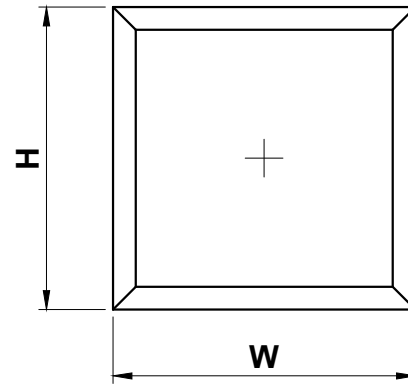
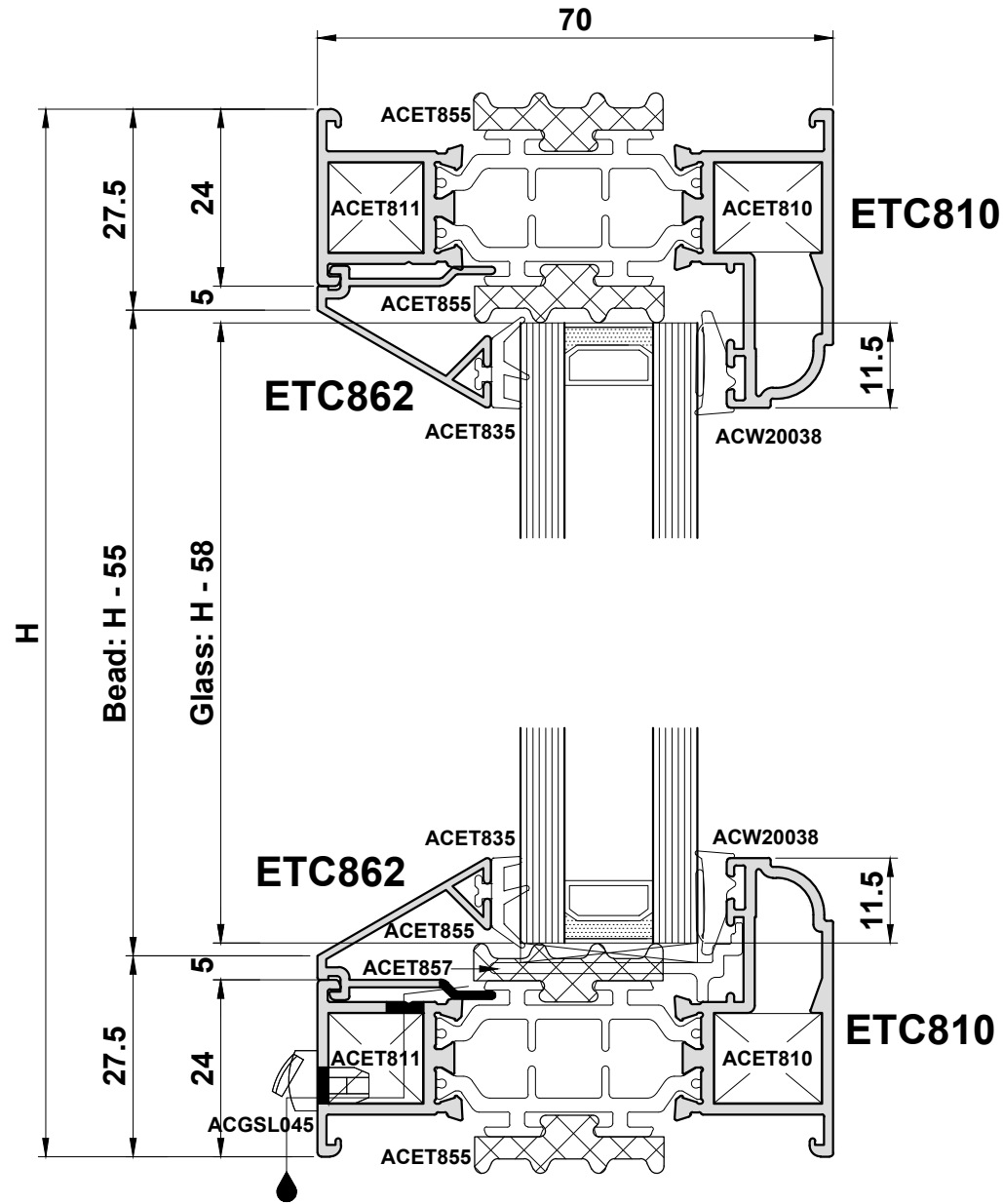


Sawing Tables

1	-	Fixed Light.....	Page F03
2	-	Ext. Glazed Single Casement.....	Page F04
3	-	Ext. Glazed Single Casement Adjacent to Fixed Light.....	Page F05
4	-	Int. Glazed Single Casement.....	Page F06
5	-	Int. Glazed Single Casement.....	Page F07
6	-	ETC825 Single Casement Adjacent to Fixed Light.....	Page F08
7	-	Flush Single Casement.....	Page F09
8	-	Flush Single Casement Adjacent to Fixed light.....	Page F10

Section F

Sample 1 - Cutting Information

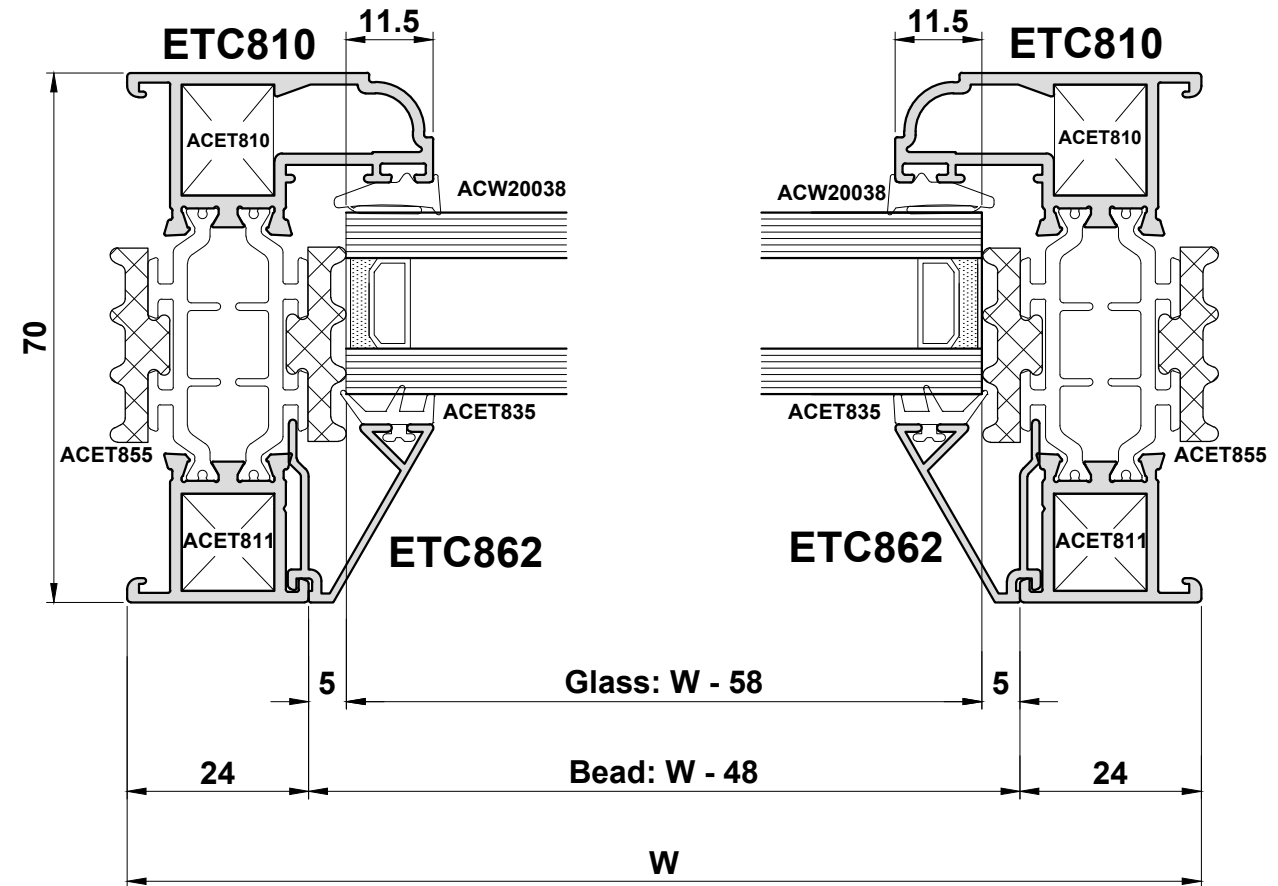


Profile Cutting Schedule

Part No.	Detail	QTY	Cutting Angle	Size
ETC810		2		W
ETC810		2		H
ETC862		2		W-48
ETC862		2		H-55

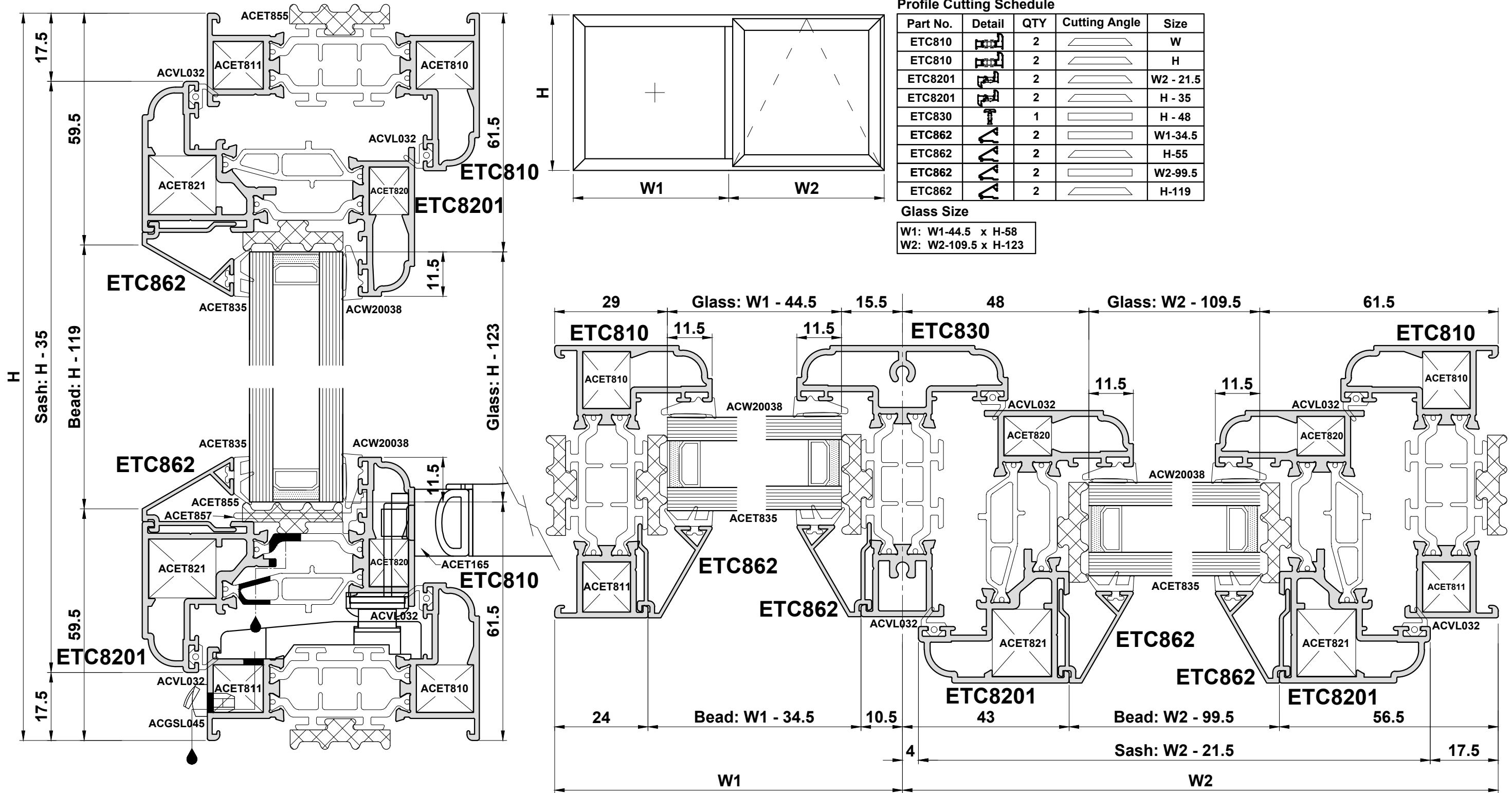
Glass Size

W-58 x H-58



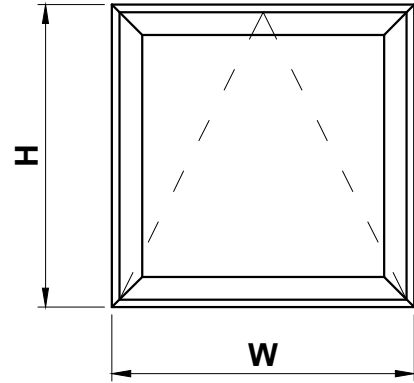
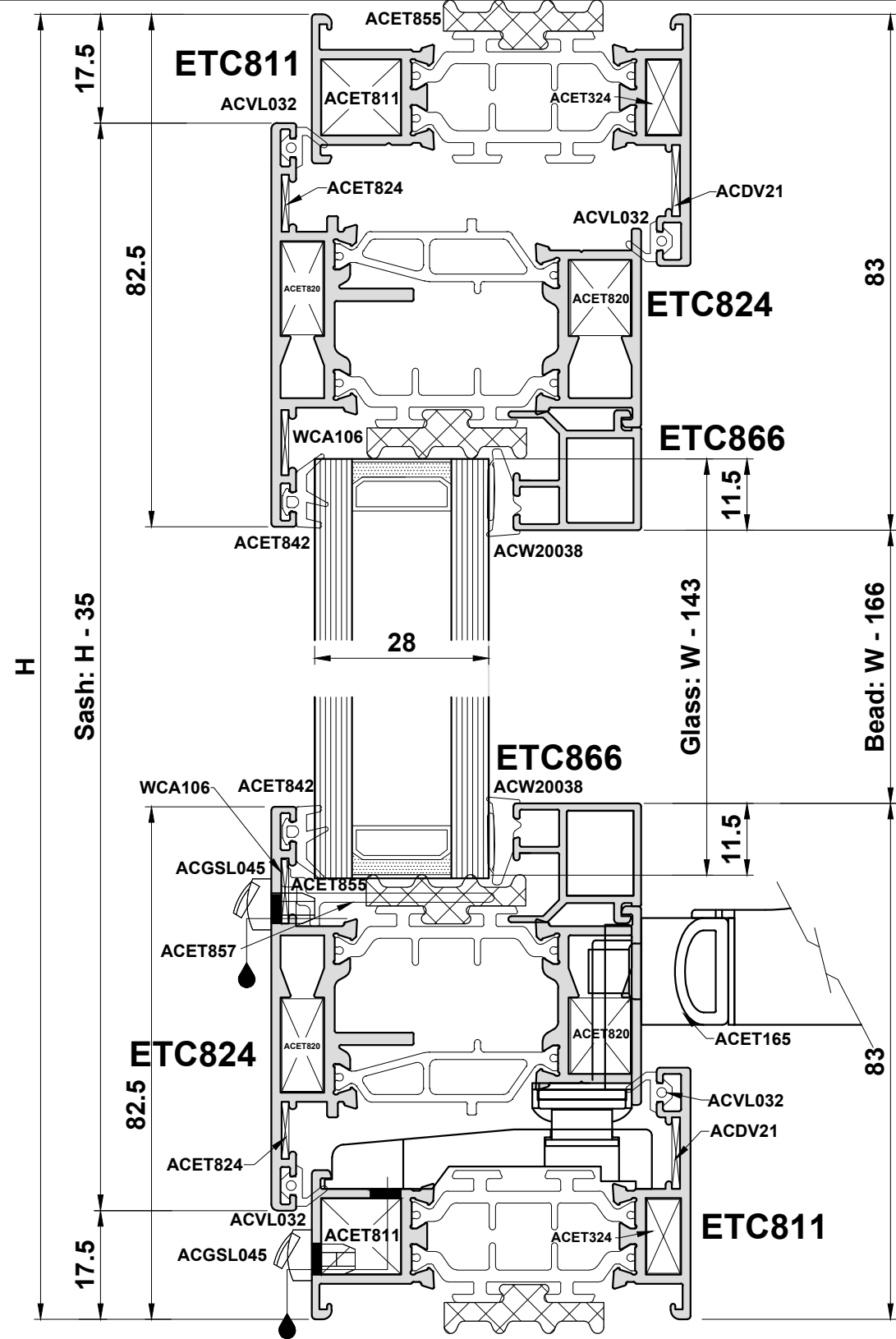
Do Not Scale From This Drawing

Sample 3 - Cutting Information



Do Not Scale From This Drawing

Sample 4 - Cutting Information

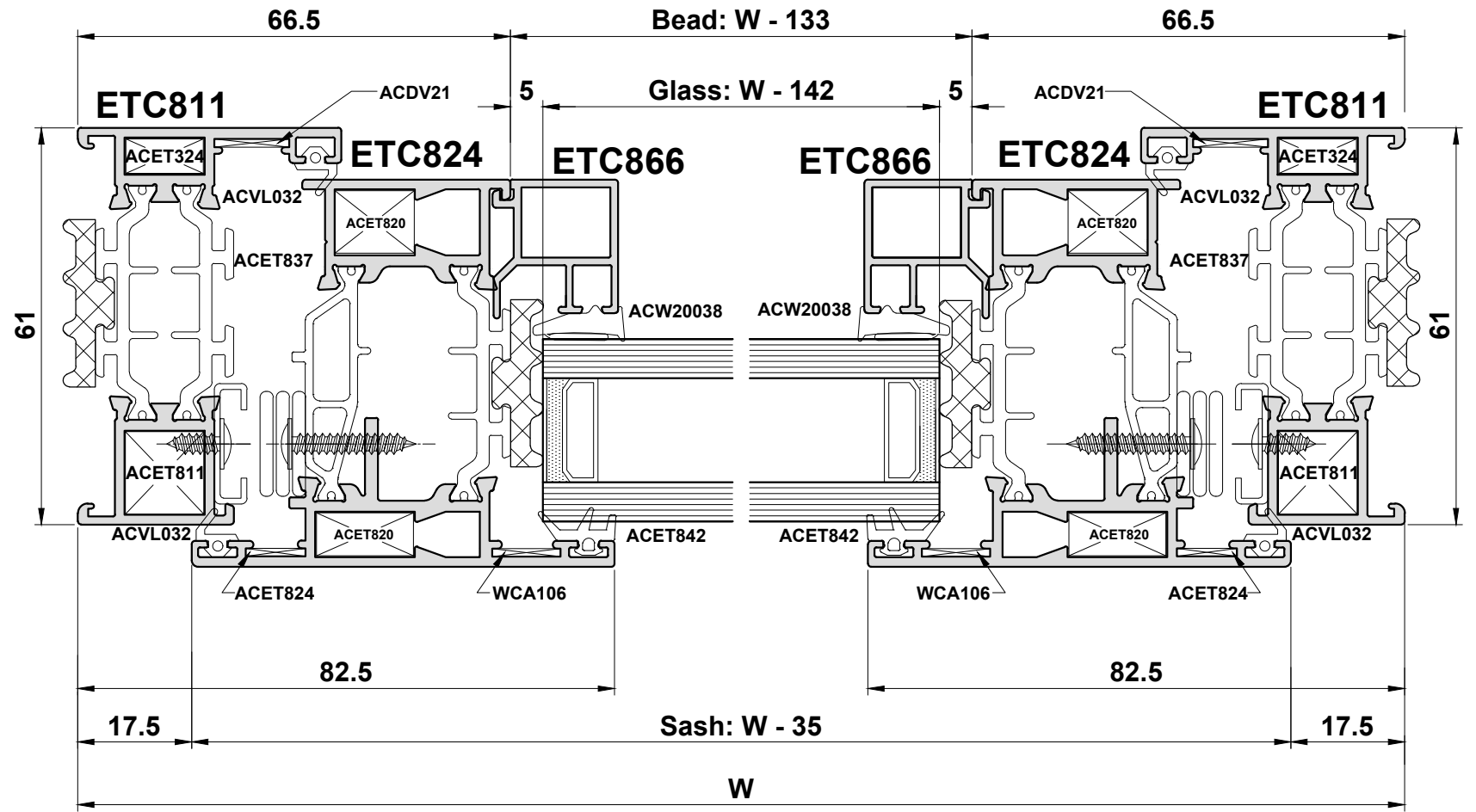


Profile Cutting Schedule

Part No.	Detail	QTY	Cutting Angle	Size
ETC811		2		W
ETC811		2		H
ETC824		2		W - 35
ETC824		2		H - 35
ETC866		2		W-133
ETC866		2		H-166

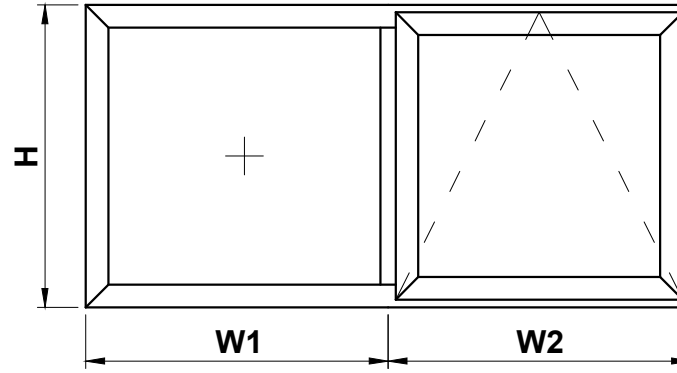
Glass Size

W-142 x H-142



Do Not Scale From This Drawing

Sample 6 - Cutting Information

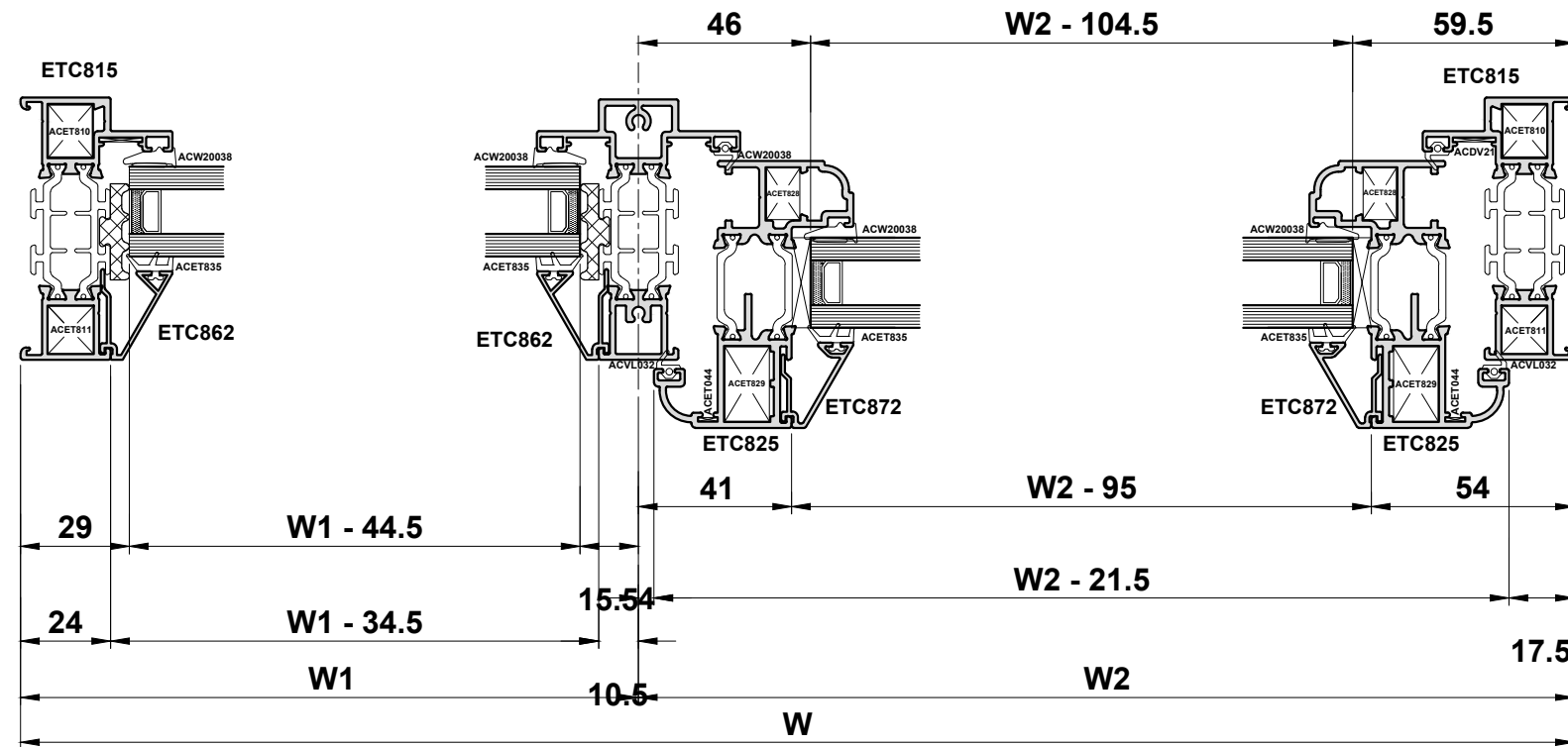
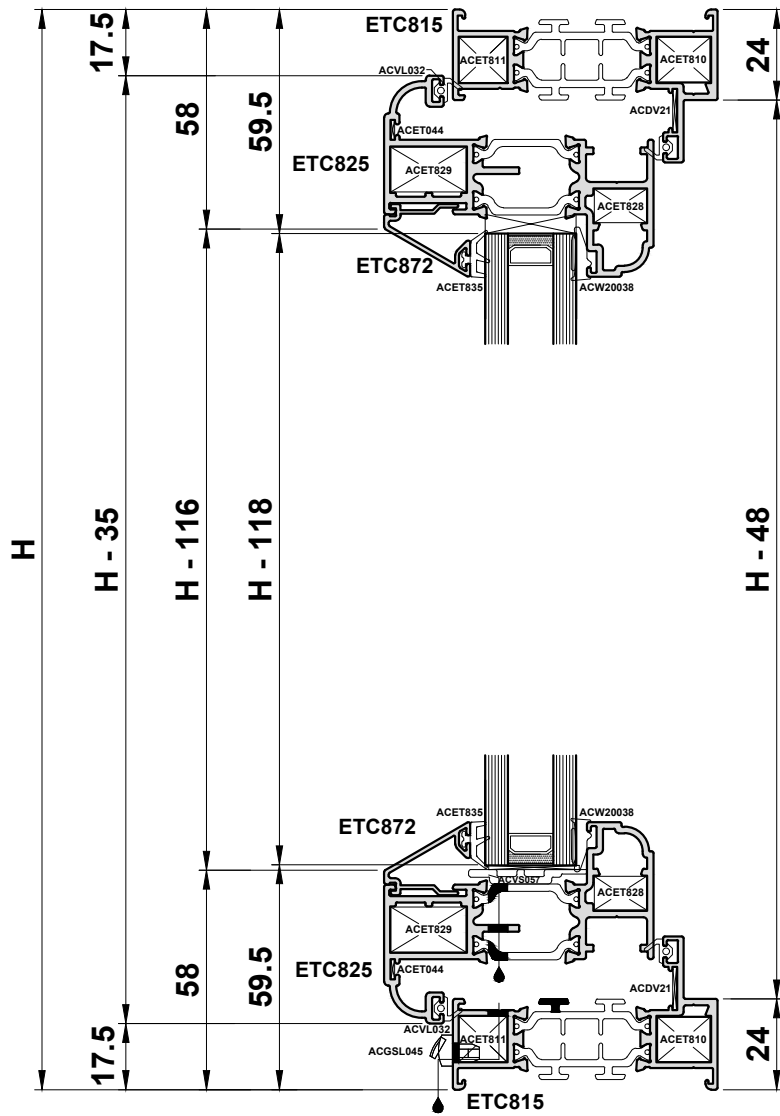


Profile Cutting Schedule

Part No.	Detail	QTY	Cutting Angle	Size
ETC815		2		W
ETC815		2		H
ETC825		2		W2 - 21.5
ETC825		2		H - 35
ETC835		1		H-48
ETC862		2		W1-34.5
ETC862		2		H-55
ETC872		2		W2-95
ETC872		2		H-119

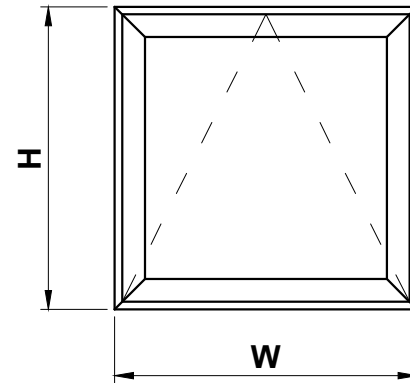
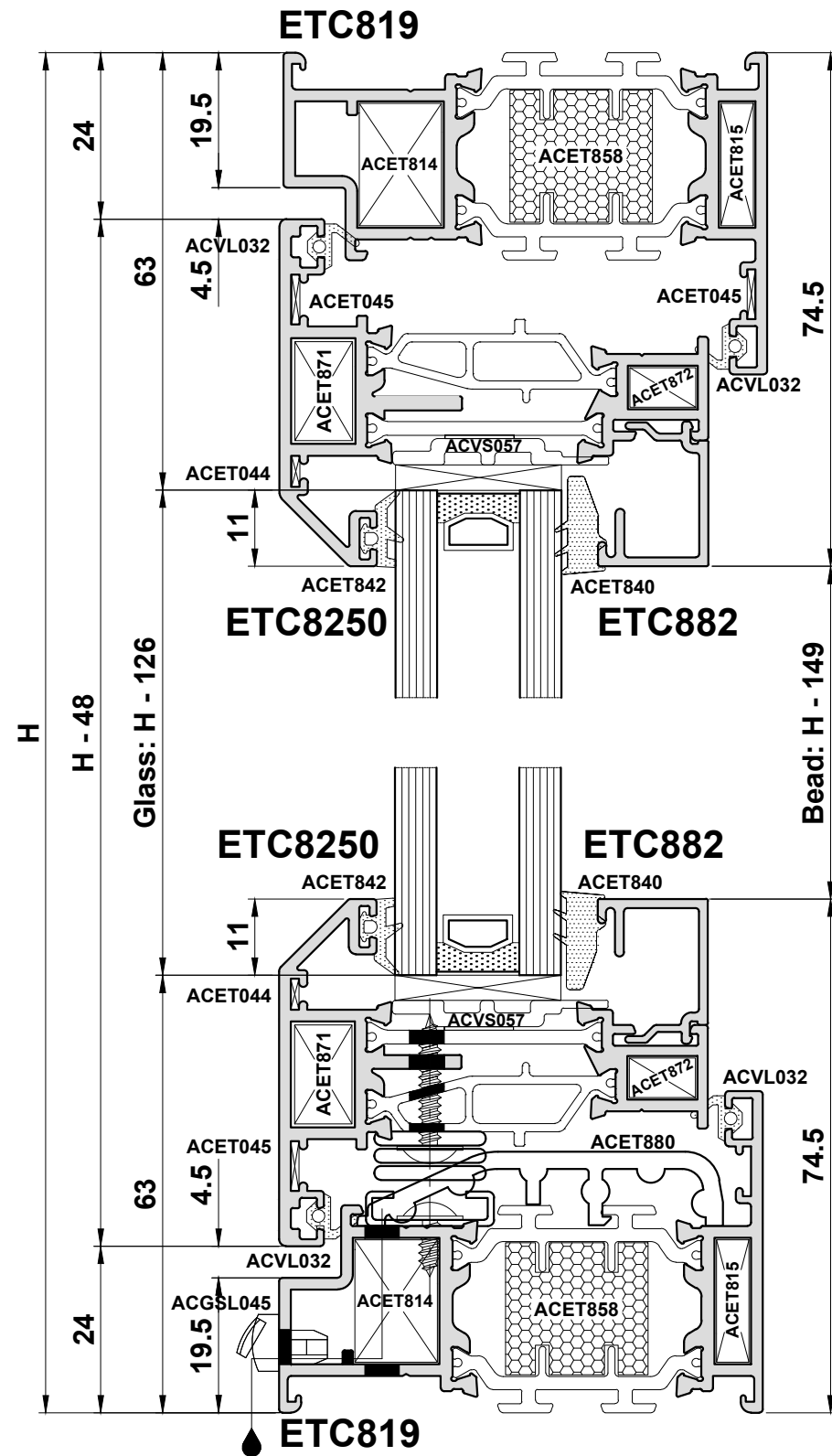
Glass Size

W1: W1-44.5 x H-58
W2: W2-104.5 x H-118



Do Not Scale From This Drawing

Sample 7 - Cutting Information

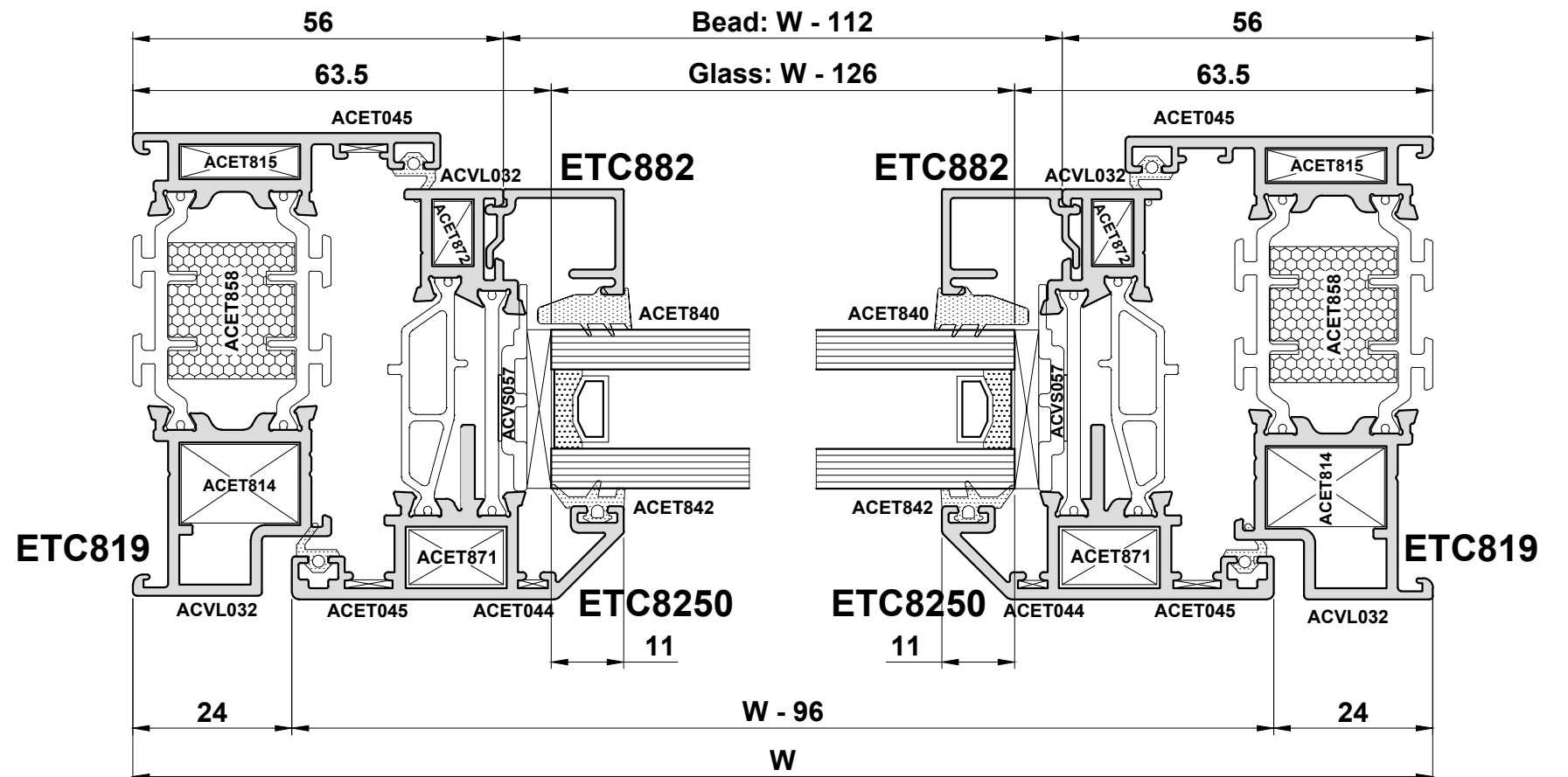


Profile Cutting Schedule

Part No.	Detail	QTY	Cutting Angle	Size
ETC819		2		W
ETC819		2		H
ETC8250		2		W - 48
ETC8250		2		H - 48
ETC882		2		W-112
ETC882		2		H-149

Glass Size

W-126 x H-126



Do Not Scale From This Drawing

