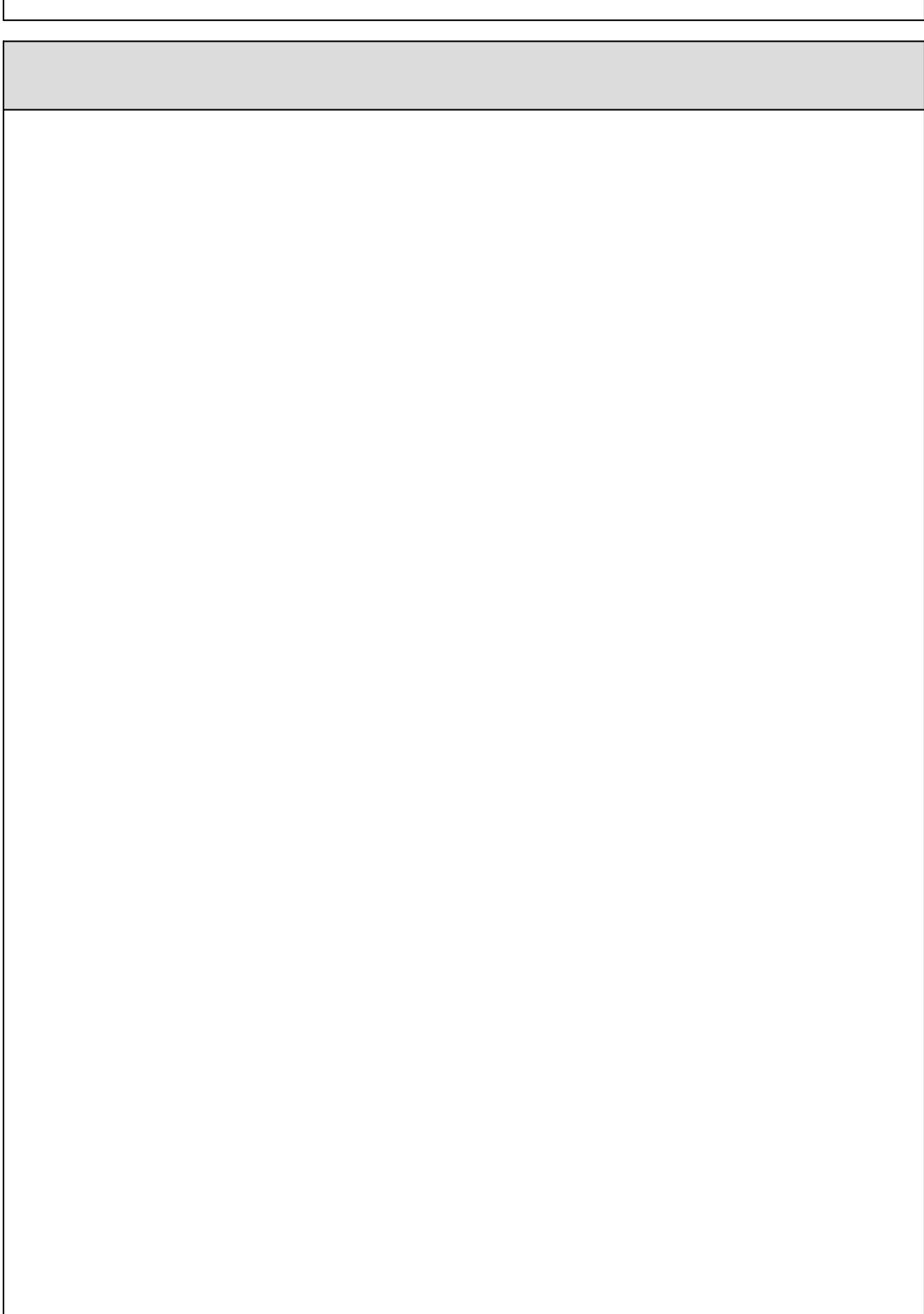


## Main Index

|                    |   |           |
|--------------------|---|-----------|
| <b>INT</b>   Index | <b>Index</b> .....                              | A01       |
| <br>               |   |           |
| <b>A</b>   INT     | <b>Profiles</b>                                 |           |
|                    | Specification Pages.....                        | A03 - A05 |
|                    | Technical Information.....                      | A06 - A10 |
|                    | Scale Profile Drawings.....                     | A11 - A26 |
| <br>               |   |           |
| <b>B</b>   INT     | <b>Accessories</b>                              |           |
|                    | Photos & Drawings.....                          | B03 - B24 |
| <br>               |   |           |
| <b>C</b>   INT     | <b>Sections</b>                                 |           |
|                    | Scale Elevations.....                           | C03 - C42 |
| <br>               |   |           |
| <b>D</b>   INT     | <b>Statics</b> .....                            | D03 - D10 |
| <br>               |   |           |
| <b>E</b>   INT     | <b>Construction Drawings</b>                    |           |
|                    | Corner Joint Details.....                       | E03       |
|                    | Crimping Details.....                           | E04 - E05 |
|                    | Transom Details.....                            | E06 - E07 |
|                    | Deep Bottom Rail Detail.....                    | E08       |
|                    | Hinged Door Lock Preparation.....               | E09       |
|                    | Pivot Door Lock Preparation.....                | E10       |
|                    | Open In Door Hinge Details.....                 | E11       |
|                    | Open In Double Door Details.....                | E12 - E13 |
|                    | Sliding Door - Roller Fixing.....               | E14       |
|                    | Pivot Door - ACSIN201 Preparation & Fixing..... | E15 - E16 |
|                    | Glazing Details.....                            | E17 - E18 |
| <br>               |   |           |
| <b>F</b>   INT     | <b>Sawing Tables</b>                            |           |
|                    | Fixed Screen.....                               | F03       |
|                    | Hinged Door.....                                | F04 - F08 |
|                    | Sliding Door.....                               | F09 - F12 |
|                    | Pivot Door.....                                 | F13       |



## Specification

### GENERAL DESCRIPTION

Our "AluSpace Interior Screen" system is the perfect solution for dividing living spaces with a run through floor finish, allowing high levels of natural light to flood between rooms and maximising the aesthetics.

The aluminium steel-look interior screens and doors provide an elegant, versatile and slim sightline design suitable for both traditional and modern homes. Ideal for renovation works, but exceptional also for contemporary residential new builds and commercial projects.

Manufactured to bespoke requirements and offered as a sliding, pivoting or hinged door as well as a fixed interior screen available in a huge range of colours.

### PROFILE SPECIFICATION

The door frames are constructed of aluminium alloy extrusion to BS EN 755-9 and BS EN 12020, extruded to 6063 T6 alloy.

### RECOMMENDED DESIGN DOOR LIMITATIONS

#### Hinged Doors

##### **Door Sashes:**

Maximum Width: 900mm  
Minimum Width: 400mm  
Maximum Height: 2200mm  
Maximum Weight: 60kg

#### Sliding Doors

##### **Door Sashes:**

Maximum Width: 1200mm  
Minimum Width: 400mm  
Maximum Height: 2500mm  
Maximum Weight: 100kg (with 2 x ACINT313 rollers)

#### Pivot Doors

##### **Door Sashes:**

Maximum Width: 2000mm  
Minimum Width: 400mm  
Maximum Height: 2500mm  
Maximum Weight: 100kg

#### Fixed Screens:

Please see table on page D07.

Fixed screen sizes are based on a coupler limit at 0.8kN/m.  
Size limits can vary depending on application and the category of building.  
Please refer to Approved Document K and CWCT for further information on the required loading for your project.

For advise on screen and door sizes outside of the recommended design limitations, please contact the Technical Department at Smart Systems Ltd Tel: 01934 876100

## Specification

### GENERAL MANUFACTURING

Outerframes and sashes are made by cutting the frame profiles with accurate 45° mitred ends using Tungsten Carbide Tipped Saw Blades, operating at approximately 3000 rpm.

The corners are joined using crimping cleats to form a cold forged corner joint (made by deforming small slugs of metal into the groove of the corner cleat).

The ends of transoms are profiled to fit the frame and fixed using self-tapping screws with a small joint sealant.

On polyester powder coated finishes, great care should be taken to avoid getting gap sealer on visible surfaces and should be removed as soon as possible with a clean cloth.

Care should be exercised when using products not supplied by Smart Systems Ltd as no responsibility can be accepted.

### OUTER FRAME MANUFACTURING INFORMATION

The outer frame members are cut with 45° mitred ends to the overall size required, measured to the longest point of the metal.

Prior to corner crimping the centre line position of any transoms should be marked on the outer frame members. Where the transom runs right through, it should be marked out on both jambs in pairs to ensure accurate alignment of the sections.

Using the marked centre line, drill the transom fixing holes using a 4.5mm or 5mm dia. drill bit.

Corners are formed by coating the cut faces to be joined with a suitable small gap sealer. Into the mitred corner insert the cleat glue and the required corner cleats and, where required, the aluminium corner chevrons. The two mitred ends are then brought together and crimped. The small gap sealer ensures a permanent joint, keeps the joint tidy and allows joint movement. After crimping the corner joint, special care should be taken to ensure any excess sealer is removed from painted surfaces.

Transoms are cut with square ends to the sizes calculated on the cutting formula sheets. The ends are then profiled to allow them to fit into the outer frame. Special tooling is available on request to profile the end of transom.

Prior to fixing of transoms, smear the cut ends with a suitable small gap sealer. After fixing, special care should be taken to ensure any excess is cleared from painted surfaces.

## Specification

### SASH

Corners are formed by coating the cut faces to be joined with a suitable gap sealer. In the mitred corner insert the cleat glue and the required corner cleats and chevrons. The mitred ends are then brought together and crimped. The small gap sealer ensures a permanent joint, keeps the joint tidy and allows joint movement. Care should be taken to ensure any excess sealer is removed from the surfaces.

### GLAZING

All beads are cut to suit the glazing aperture on the fully assembled door for glazing either at factory or on site as required.

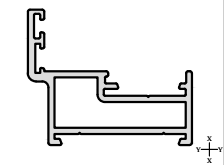
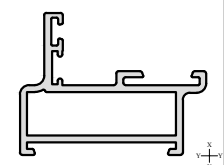
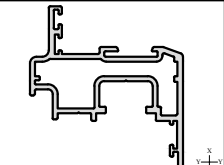
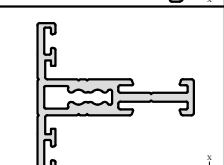
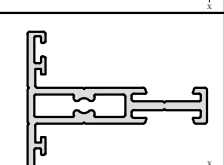
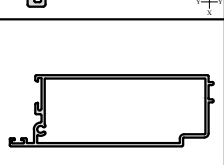
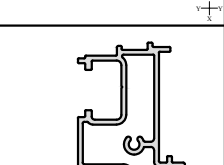
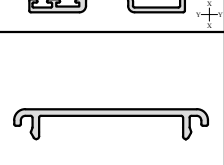
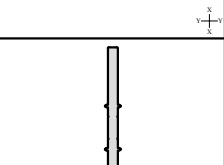
Where ACINT230, ACINT232 & ACINT430 transom brackets are used, the horizontal beads must be machined over the brackets. Please see pages E06 & E07 for further details.

Glazing can be 6mm, 8mm or 18mm by selecting the relevant bead & gasket.


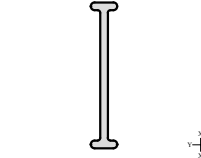
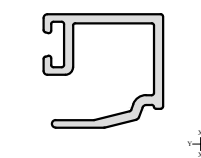
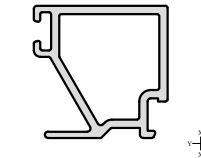
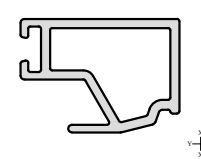
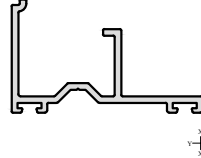
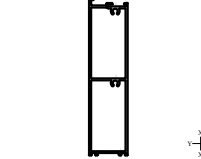
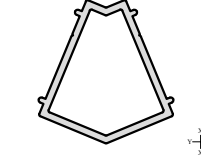
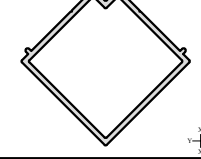
### INSTALLATION

Please refer to relevant parts of BS 8213-4 for installation guidance. All fixings shall be suitable for the structure and application. Fixings shown in this manual are for illustration only.

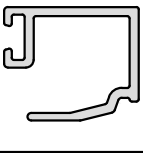
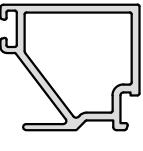
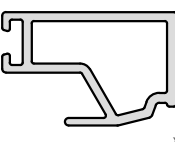
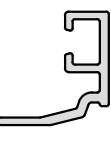
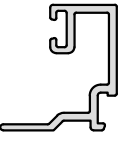
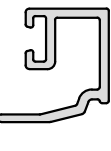
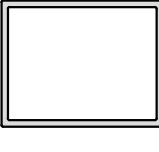
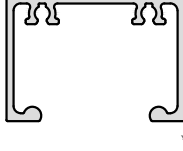
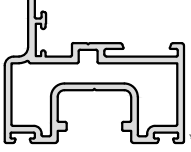
PROFILES : TECHNICAL INFORMATION

| Number | Picture   | Page | Perim.<br>mm | Mec.<br>mm | Ix(cm4)<br>wx(cm3)  | Iy(cm4)<br>wy(cm3) | Length | Pack<br>pr. | MF                        | SA | KL  | HP | M |
|--------|---|------|--------------|------------|---------------------|--------------------|--------|-------------|---------------------------|----|---|----|---|
| INT210 |    | A11  | 196          | 61         | 4.04<br>—<br>1.83   | 1.42<br>—<br>1.18  | 6.5    | 1           | ✓                         |    | ✓   | ✓  |   |
| INT218 |    | A11  | 189          | 62         | 3.19<br>—<br>1.41   | 1.16<br>—<br>0.99  | 6.5    | 1           | ✓                         |    | ✓   | ✓  |   |
| INT220 |    | A11  | 286          | 160        | 8.56<br>—<br>3.27   | 3.89<br>—<br>1.64  | 6.5    | 1           | ✓                         |    | ✓   | ✓  |   |
| INT230 |   | A12  | 199          | 50         | 2.38<br>—<br>1.04   | 0.82<br>—<br>0.50  | 6.5    | 1           | ✓                         |    | ✓   | ✓  |   |
| INT232 |  | A12  | 209          | 50         | 3.43<br>—<br>1.33   | 0.83<br>—<br>0.50  | 6.5    | 1           | ✓                         |    | ✓   | ✓  |   |
| INT238 |  | A12  | 304          | 176        | 8.94<br>—<br>4.91   | 43.12<br>—<br>8.68 | 6.5    | 1           | ✓                         |    | ✓   | ✓  |   |
| INT249 |  | A12  | 255          | 84         | 6.97<br>—<br>2.64   | 4.46<br>—<br>2.25  | 6.5    | 1           | ✓                         |    | ✓   | ✓  |   |
| INT250 |  | A13  | 90           | 40         | -<br>—<br>-         | -<br>—<br>-        | 6.5    | 1           | ✓                         |    | ✓   | ✓  |   |
| INT255 |  | A13  | 224          | 148        | 50.11<br>—<br>10.02 | 0.19<br>—<br>0.41  | 6.5    | 1           | ✓                         |    | ✓   | ✓  |   |
|        |   |      |              |            |                     |                    |        |             | A = Outside<br>B = Inside |    | MF = Mill Finish<br>SA = Silver Anodised<br>KL = Basic Colour<br>HP = Special Colour<br>M = Dual Colour |    |   |

PROFILES : TECHNICAL INFORMATION

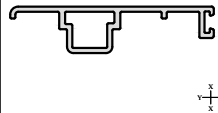
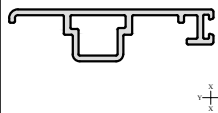
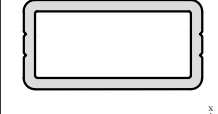
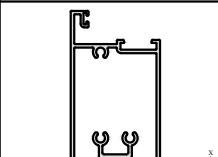
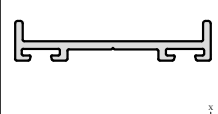
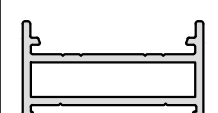
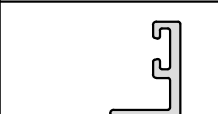
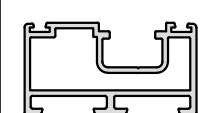
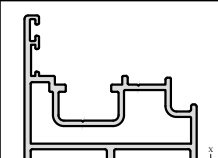
| Number | Picture   | Page | Perim.<br>mm | Mec.<br>mm | lx(cm4)<br>wx(cm3) | ly(cm4)<br>wy(cm3)   | Length | Pack<br>pr. | MF                        | SA | KL  | HP | M |  |
|--------|---|------|--------------|------------|--------------------|----------------------|--------|-------------|---------------------------|----|---|----|---|--|
| INT256 |    | A13  | 94           | 14         | 2.30<br>—<br>1.31  | 0.08<br>—<br>0.16    | 6.5    | 1           | ✓                         |    | ✓   | ✓  |   |  |
| INT257 |    | A13  | 71           | -          | 0.46<br>—<br>0.33  | 0.00<br>—<br>0.01    | 6.5    | 1           | ✓                         |    |   |    |   |  |
| INT270 |    | A16  | 108          | 29         | -<br>—<br>-        | -<br>—<br>-          | 6.5    | 1           | ✓                         |    | ✓   | ✓  |   |  |
| INT271 |   | A16  | 107          | 37         | -<br>—<br>-        | -<br>—<br>-          | 6.5    | 1           | ✓                         |    | ✓   | ✓  |   |  |
| INT272 |  | A16  | 89           | 34         | -<br>—<br>-        | -<br>—<br>-          | 6.5    | 1           | ✓                         |    | ✓   | ✓  |   |  |
| INT274 |  | A14  | 199          | 25         | 2.66<br>—<br>1.01  | 0.65<br>—<br>0.85    | 6.5    | 1           | ✓                         |    | ✓   | ✓  |   |  |
| INT275 |  | A14  | 426          | 292        | 15.83<br>—<br>8.95 | 152.95<br>—<br>20.56 | 6.5    | 1           | ✓                         |    | ✓   | ✓  |   |  |
| INT280 |  | A15  | 133          | 54         | 3.51<br>—<br>1.66  | 2.60<br>—<br>1.38    | 6.5    | 1           | ✓                         |    | ✓   | ✓  |   |  |
| INT281 |  | A15  | 175          | 95         | 7.04<br>—<br>2.45  | 7.59<br>—<br>2.64    | 6.5    | 1           | ✓                         |    | ✓   | ✓  |   |  |
|        |   |      |              |            |                    |                      |        |             | A = Outside<br>B = Inside |    | MF = Mill Finish<br>SA = Silver Anodised<br>KL = Basic Colour<br>HP = Special Colour<br>M = Dual Colour |    |   |  |

PROFILES : TECHNICAL INFORMATION

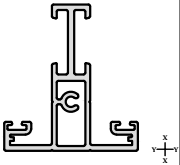

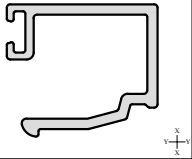
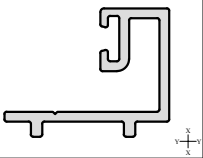
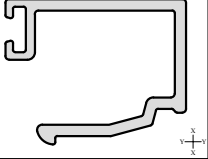
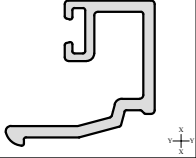
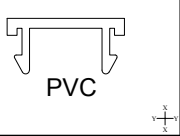
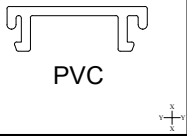
| Number | Picture   | Page | Perim. mm | Mec. mm | lx(cm4)<br>wx(cm3) | ly(cm4)<br>wy(cm3) | Length | Pack pr. | MF                        | SA | KL  | HP | M |
|--------|---|------|-----------|---------|--------------------|--------------------|--------|----------|---------------------------|----|---|----|---|
| INT290 |    | A17  | 112       | 31      | -<br>-             | -<br>-             | 6.5    | 1        | ✓                         |    | ✓   | ✓  |   |
| INT291 |    | A17  | 110       | 39      | -<br>-             | -<br>-             | 6.5    | 1        | ✓                         |    | ✓   | ✓  |   |
| INT292 |    | A17  | 93        | 36      | -<br>-             | -<br>-             | 6.5    | 1        | ✓                         |    | ✓   | ✓  |   |
| INT293 |   | A18  | 79        | 19      | -<br>-             | -<br>-             | 6.5    | 1        | ✓                         |    | ✓   | ✓  |   |
| INT294 |  | A18  | 124       | 27      | -<br>-             | -<br>-             | 6.5    | 1        | ✓                         |    | ✓   | ✓  |   |
| INT295 |  | A18  | 98        | 24      | -<br>-             | -<br>-             | 6.5    | 1        | ✓                         |    | ✓   | ✓  |   |
| INT310 |  | A19  | 177       | 128     | 12.23<br>—<br>4.89 | 8.28<br>—<br>4.25  | 6.5    | 1        | ✓                         |    | ✓   | ✓  |   |
| INT312 |  | A19  | 317       | 141     | 12.73<br>—<br>5.09 | 5.40<br>—<br>4.09  | 6.5    | 1        | ✓                         |    | ✓   | ✓  |   |
| INT320 |  | A19  | 233       | 70      | 4.68<br>—<br>2.21  | 2.10<br>—<br>1.58  | 6.5    | 1        | ✓                         |    | ✓   | ✓  |   |
|        |   |      |           |         |                    |                    |        |          | A = Outside<br>B = Inside |    | MF = Mill Finish<br>SA = Silver Anodised<br>KL = Basic Colour<br>HP = Special Colour<br>M = Dual Colour |    |   |



PROFILES : TECHNICAL INFORMATION

| Number | Picture   | Page | Perim.<br>mm | Mec.<br>mm | lx(cm4)<br>wx(cm3) | ly(cm4)<br>wy(cm3)  | Length | Pack<br>pr. | MF                        | SA | KL  | HP | M |
|--------|---|------|--------------|------------|--------------------|---------------------|--------|-------------|---------------------------|----|---|----|---|
| INT322 |    | A20  | 149          | 82         | 2.56<br>—<br>0.98  | 0.17<br>—<br>0.50   | 6.5    | 1           | ✓                         |    | ✓   | ✓  |   |
| INT323 |    | A20  | 143          | 63         | 1.99<br>—<br>0.81  | 0.17<br>—<br>0.46   | 6.5    | 1           | ✓                         |    | ✓   | ✓  |   |
| INT357 |    | A20  | 70           | -          | 0.20<br>—<br>0.34  | 0.62<br>—<br>0.53   | 6.5    | 1           | ✓                         |    |   |    |   |
| INT410 |   | A21  | 329          | 161        | 17.07<br>—<br>6.85 | 40.67<br>—<br>11.36 | 6.5    | 1           | ✓                         |    | ✓   | ✓  |   |
| INT411 |  | A21  | 124          | 22         | 1.53<br>—<br>0.79  | 0.02<br>—<br>0.07   | 6.5    | 1           | ✓                         |    | ✓   | ✓  |   |
| INT412 |  | A21  | 127          | 38         | 2.10<br>—<br>1.27  | 0.31<br>—<br>0.31   | 6.5    | 1           | ✓                         |    | ✓   | ✓  |   |
| INT413 |  | A21  | 120          | 31         | 0.41<br>—<br>0.27  | 0.27<br>—<br>0.36   | 6.5    | 1           | ✓                         |    | ✓   | ✓  |   |
| INT418 |  | A22  | 234          | 91         | 7.27<br>—<br>2.99  | 1.84<br>—<br>1.50   | 6.5    | 1           | ✓                         |    | ✓   | ✓  |   |
| INT420 |  | A22  | 274          | 166        | 8.22<br>—<br>3.00  | 3.27<br>—<br>2.29   | 6.5    | 1           | ✓                         |    | ✓   | ✓  |   |
|        |   |      |              |            |                    |                     |        |             | A = Outside<br>B = Inside |    | MF = Mill Finish<br>SA = Silver Anodised<br>KL = Basic Colour<br>HP = Special Colour<br>M = Dual Colour |    |   |

PROFILES : TECHNICAL INFORMATION

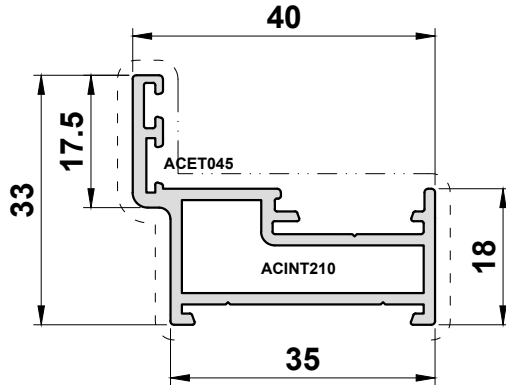
| Number | Picture   | Page | Perim. mm | Mec. mm | Ix(cm4)<br>wx(cm3) | Iy(cm4)<br>wy(cm3)  | Length | Pack pr. | MF                        | SA | KL  | HP | M |  |
|--------|---|------|-----------|---------|--------------------|---------------------|--------|----------|---------------------------|----|---|----|---|--|
| INT430 |    | A22  | 295       | 73      | 6.56<br>—<br>2.16  | 3.18<br>—<br>1.52   | 6.5    | 1        | ✓                         |    | ✓   | ✓  |   |  |
| INT438 |    | A22  | 323       | 188     | 17.09<br>—<br>7.30 | 51.03<br>—<br>11.89 | 6.5    | 1        | ✓                         |    | ✓   | ✓  |   |  |
| INT470 |    | A23  | 136       | 38      | -<br>—<br>-        | -<br>—<br>-         | 6.5    | 1        | ✓                         |    | ✓   | ✓  |   |  |
| INT471 |   | A23  | 119       | 25      | -<br>—<br>-        | -<br>—<br>-         | 6.5    | 1        | ✓                         |    | ✓   | ✓  |   |  |
| INT472 |  | A24  | 140       | 40      | -<br>—<br>-        | -<br>—<br>-         | 6.5    | 1        | ✓                         |    | ✓   | ✓  |   |  |
| INT473 |  | A24  | 116       | 28      | -<br>—<br>-        | -<br>—<br>-         | 6.5    | 1        | ✓                         |    | ✓   | ✓  |   |  |
| PCX15  |  | A25  | 63        | -       | -<br>—<br>-        | -<br>—<br>-         | 6.5    | 1        | ✓                         |    |   |    |   |  |
| PCX41  |  | A25  | 65        | -       | -<br>—<br>-        | -<br>—<br>-         | 6.5    | 1        | ✓                         |    |   |    |   |  |
|        |   |      |           |         |                    |                     |        |          |                           |    |   |    |   |  |
|        |   |      |           |         |                    |                     |        |          | A = Outside<br>B = Inside |    | MF = Mill Finish<br>SA = Silver Anodised<br>KL = Basic Colour<br>HP = Special Colour<br>M = Dual Colour |    |   |  |

Primary Visible Side

Secondary Visible Side

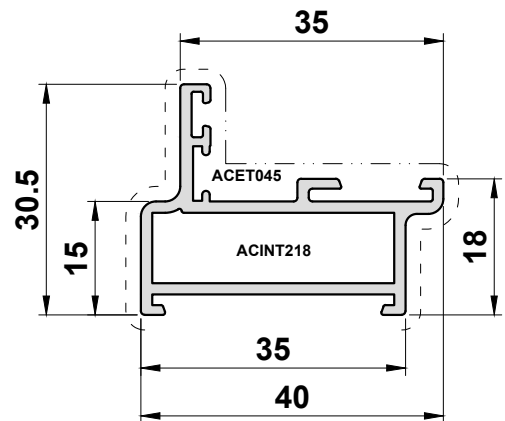
**INT210**

35mm Heritage Outer Frame



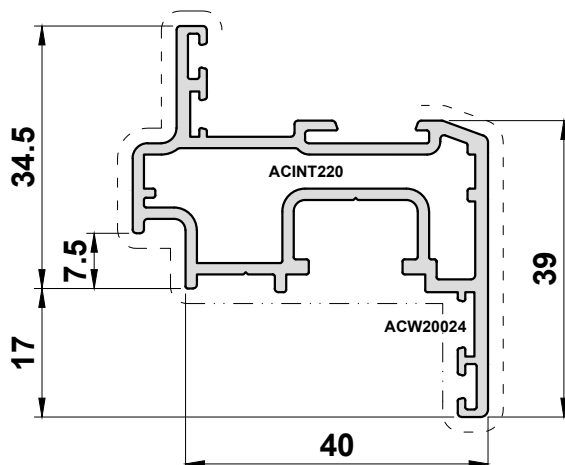
**INT218**

35mm Heritage Fixed Light



**INT220**

Heritage Sash



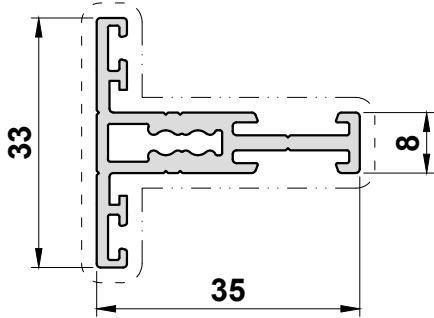
Scale 1:1

Primary Visible Side

Secondary Visible Side

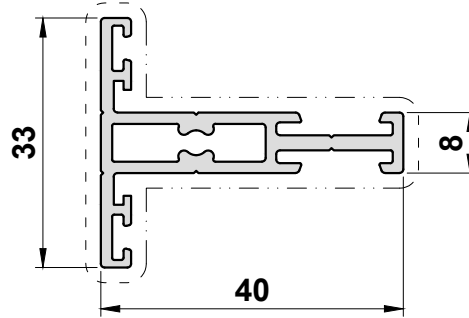
**INT230**

Transom

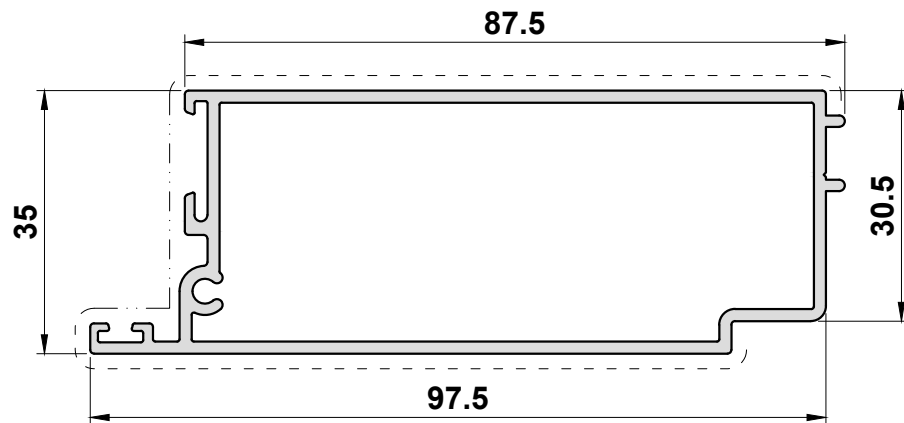


**INT232**

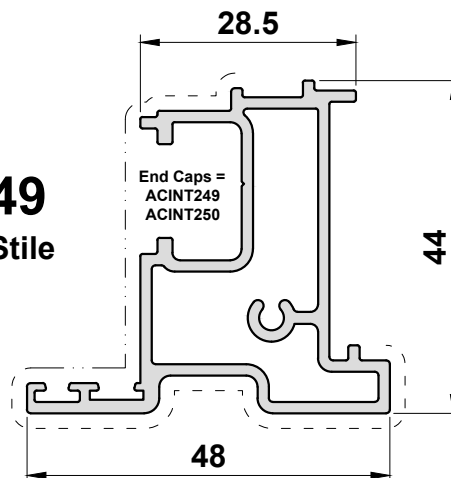
Transom



**INT238**  
Door Lock Housing



**INT249**  
Meeting Stile

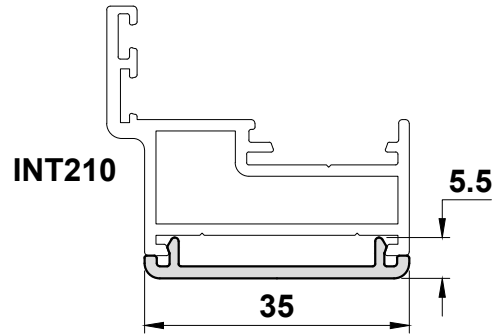


Scale 1:1

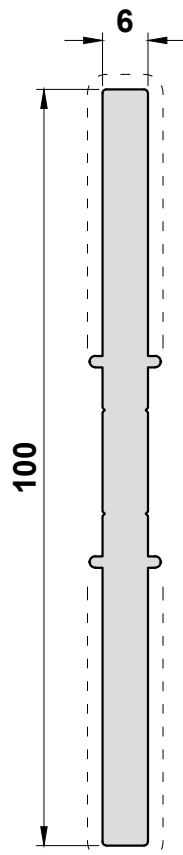
Primary Visible Side

Secondary Visible Side

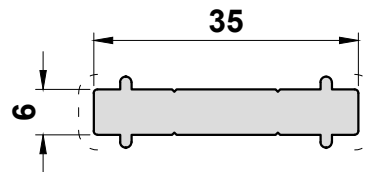
## INT250 Outer Frame Cap



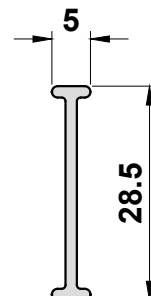
## INT255 Vertical Coupler



## INT256 Horizontal Coupler



## INT257 Concealed Coupler



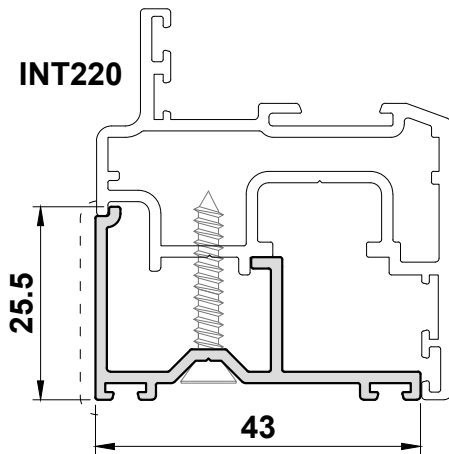
Scale 1:1

Primary Visible Side

Secondary Visible Side

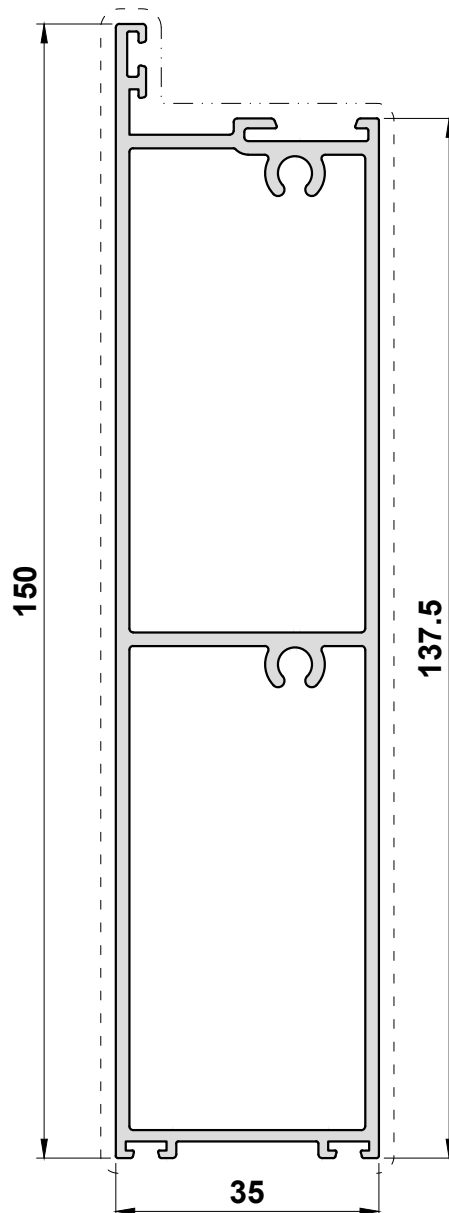
## INT274

Threshold Adaptor



## INT275

Deep Bottom Rail



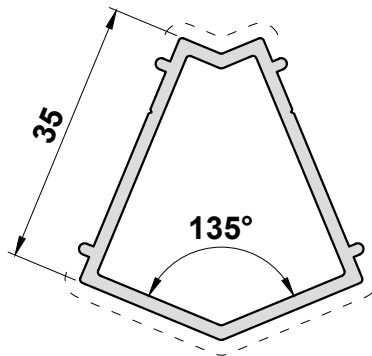
Scale 1:1

Primary Visible Side

Secondary Visible Side

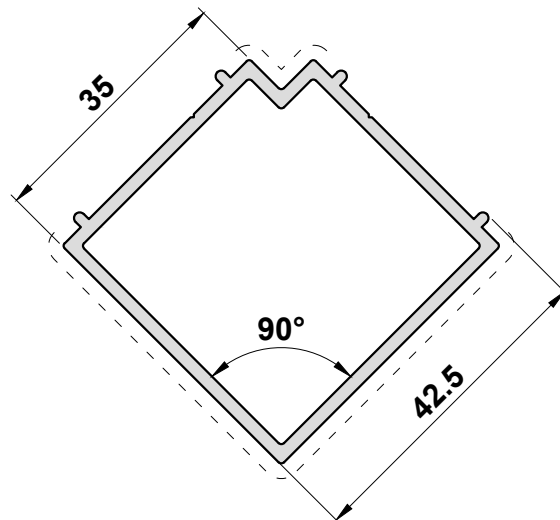
## INT280

135° Bay Pole



## INT281

90° Bay Pole



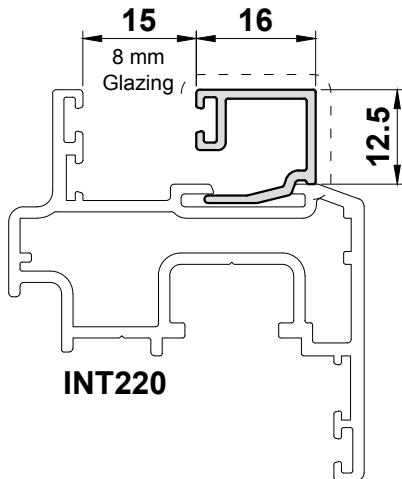
Scale 1:1

Primary Visible Side

Secondary Visible Side

**INT270**

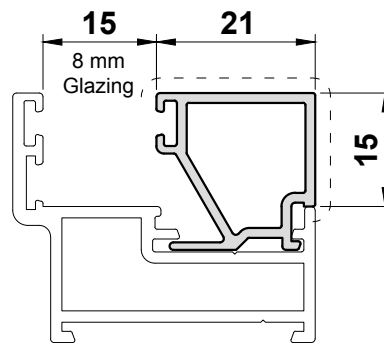
Square Bead



INT220

**INT271**

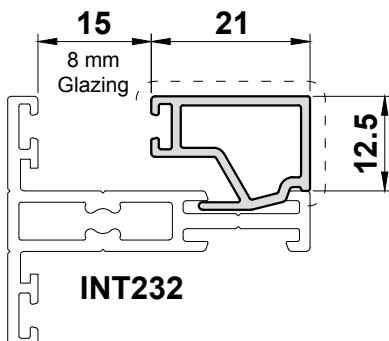
Square Bead



INT210

**INT272**

Square Bead



INT232

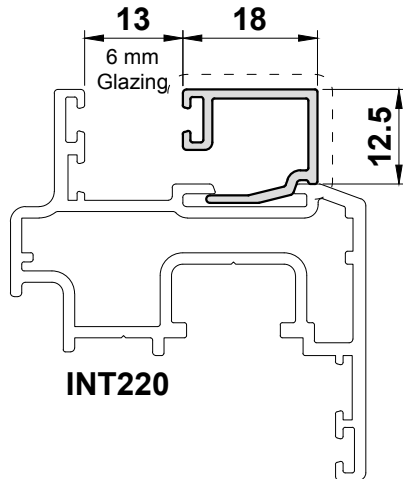
Scale 1:1



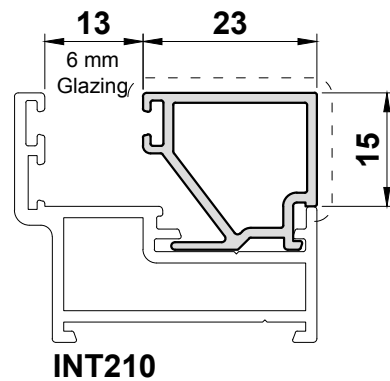
Primary Visible Side

Secondary Visible Side

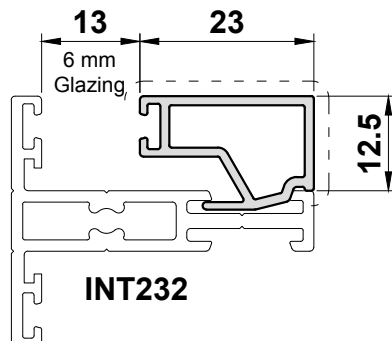
**INT290**  
Square Bead



**INT291**  
Square Bead



**INT292**  
Square Bead



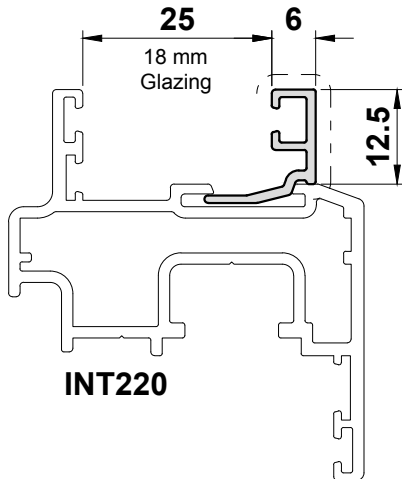
Scale 1:1

Primary Visible Side

Secondary Visible Side

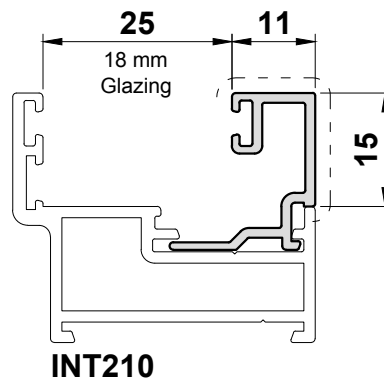
## INT293

Square Bead



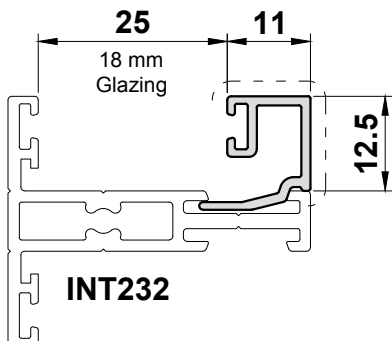
## INT294

Square Bead



## INT295

Square Bead

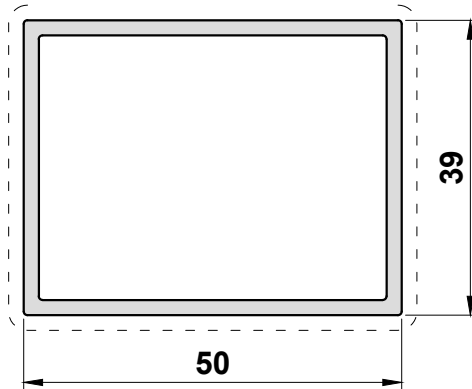


Scale 1:1

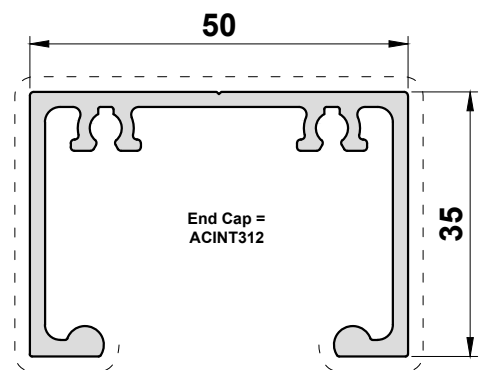
Primary Visible Side

Secondary Visible Side

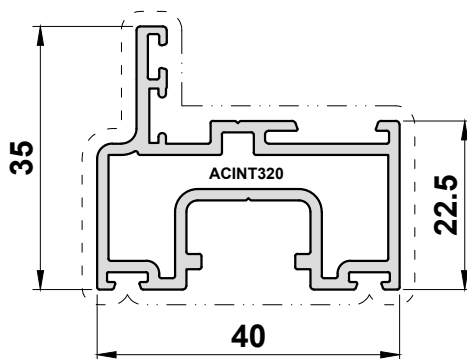
**INT310**  
50x39mm Box



**INT312**  
Top Track



**INT320**  
Sash

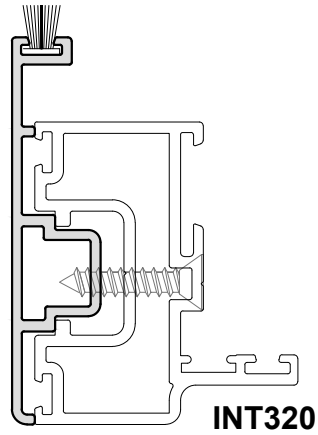
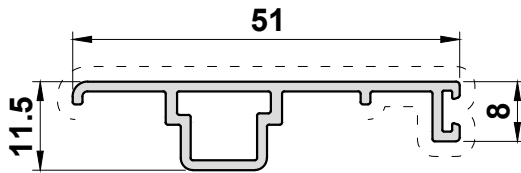


Scale 1:1

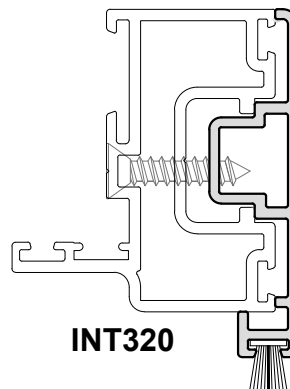
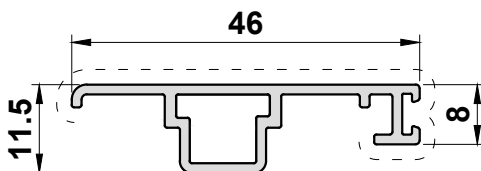
Primary Visible Side

Secondary Visible Side

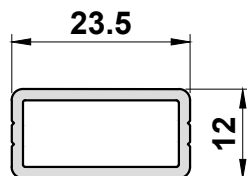
## INT322 Sliding Door Interlock A



## INT323 Sliding Door Interlock B



## INT357 Concealed Coupler



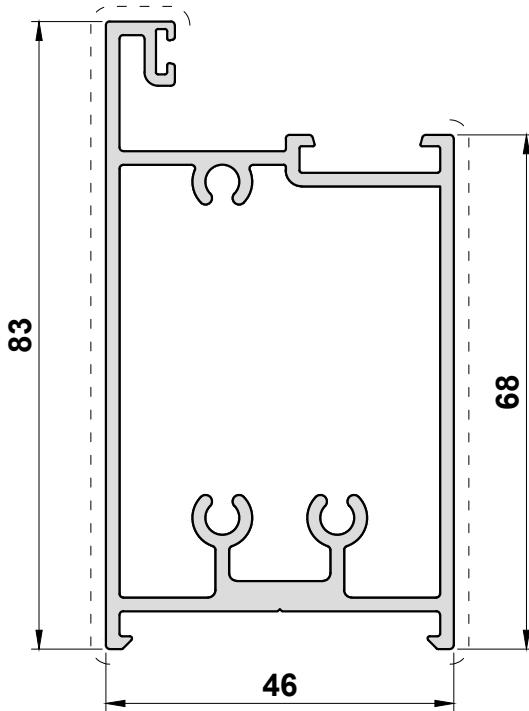
Scale 1:1

Primary Visible Side

Secondary Visible Side

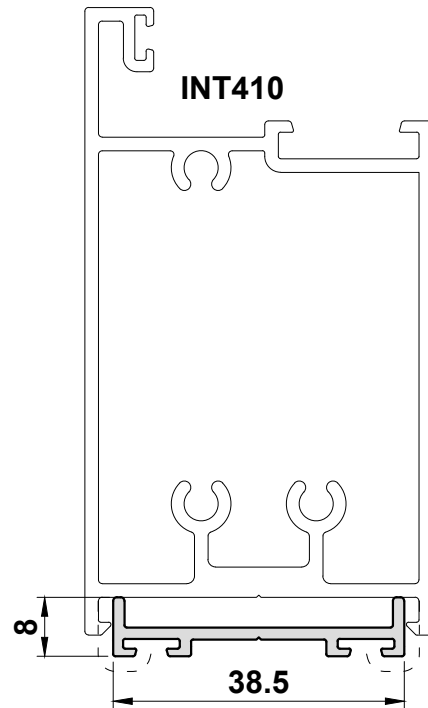
**INT410**

Pivot Door Rail



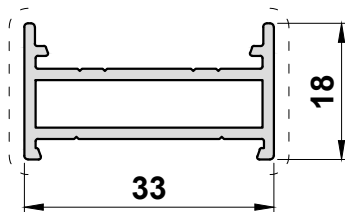
**INT411**

Woolpile Carrier



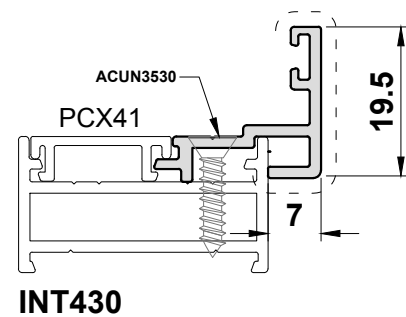
**INT412**

Pivot Door Frame



**INT413**

Upstand Frame



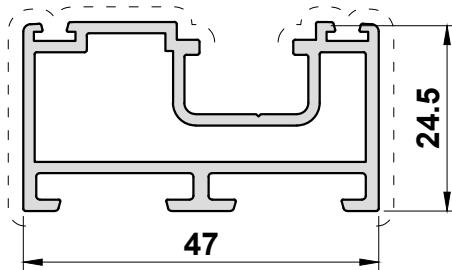
Scale 1:1

Primary Visible Side

Secondary Visible Side

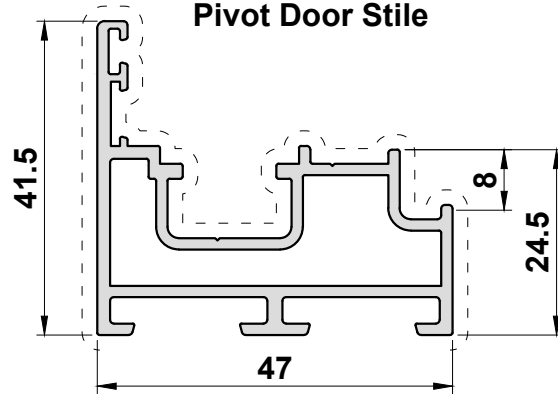
## INT418

Pivot Door Stile



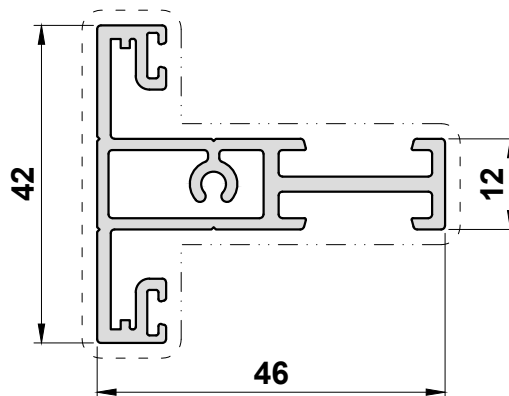
## INT420

Pivot Door Stile



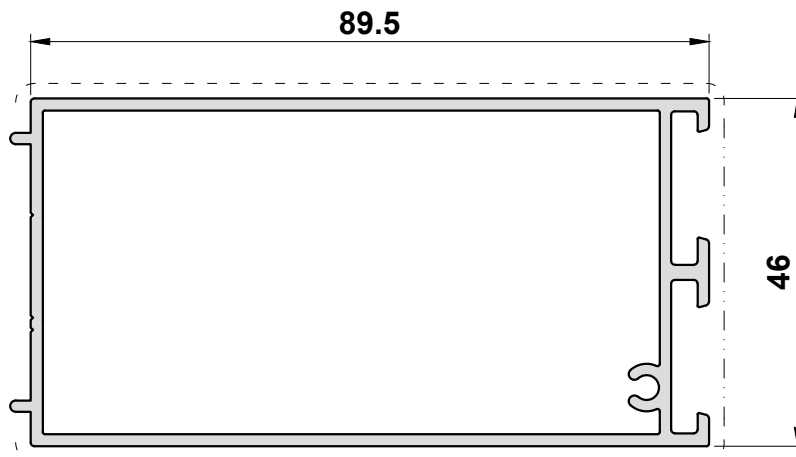
## INT430

Transom



## INT438

Pivot Door  
Lock Housing



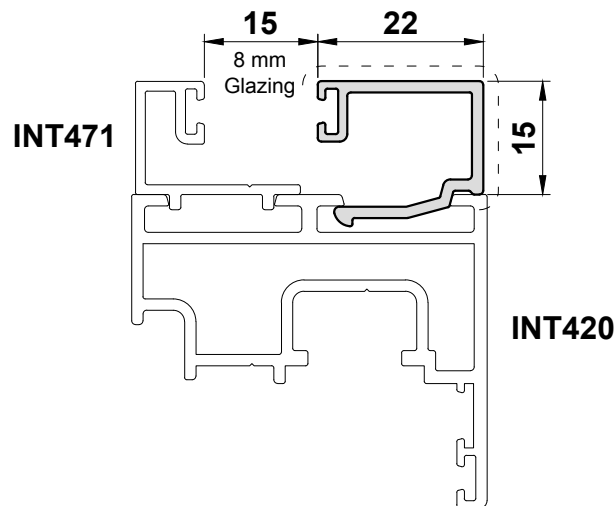
Scale 1:1

Primary Visible Side

Secondary Visible Side

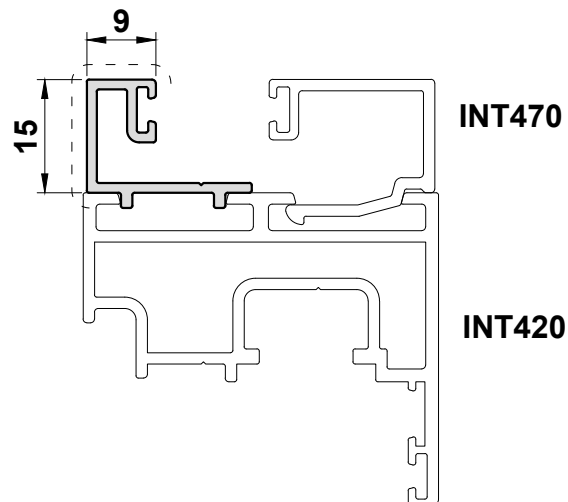
## INT470

Square Bead  
(Pivot Door)



## INT471

External Square Bead  
(Pivot Door)



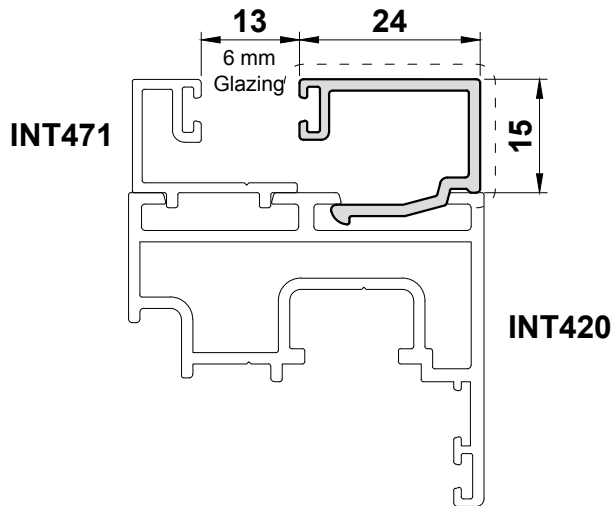
Scale 1:1

Primary Visible Side

Secondary Visible Side

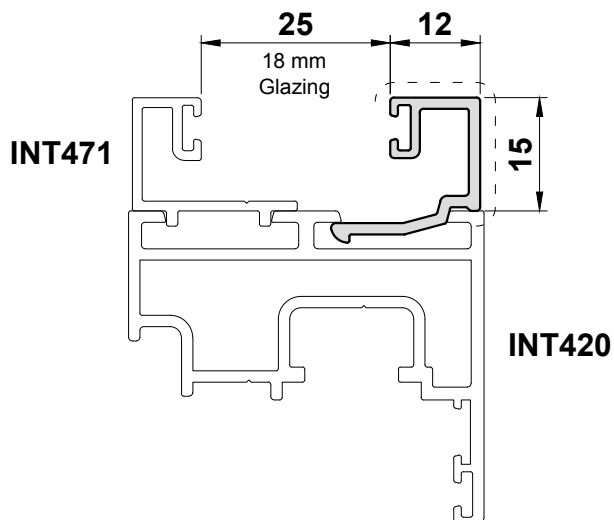
## INT472

Square Bead  
(Pivot Door)



## INT473

Square Bead  
(Pivot Door)



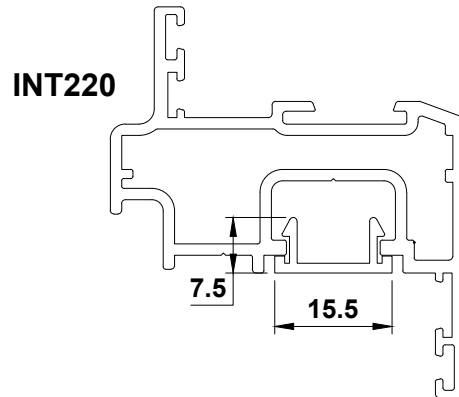
Scale 1:1



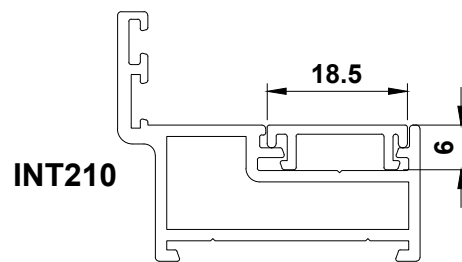
Primary Visible Side

Secondary Visible Side

## PCX15 Sash Infill



## PCX41 Outer Frame Infill



Scale 1:1

Primary Visible Side

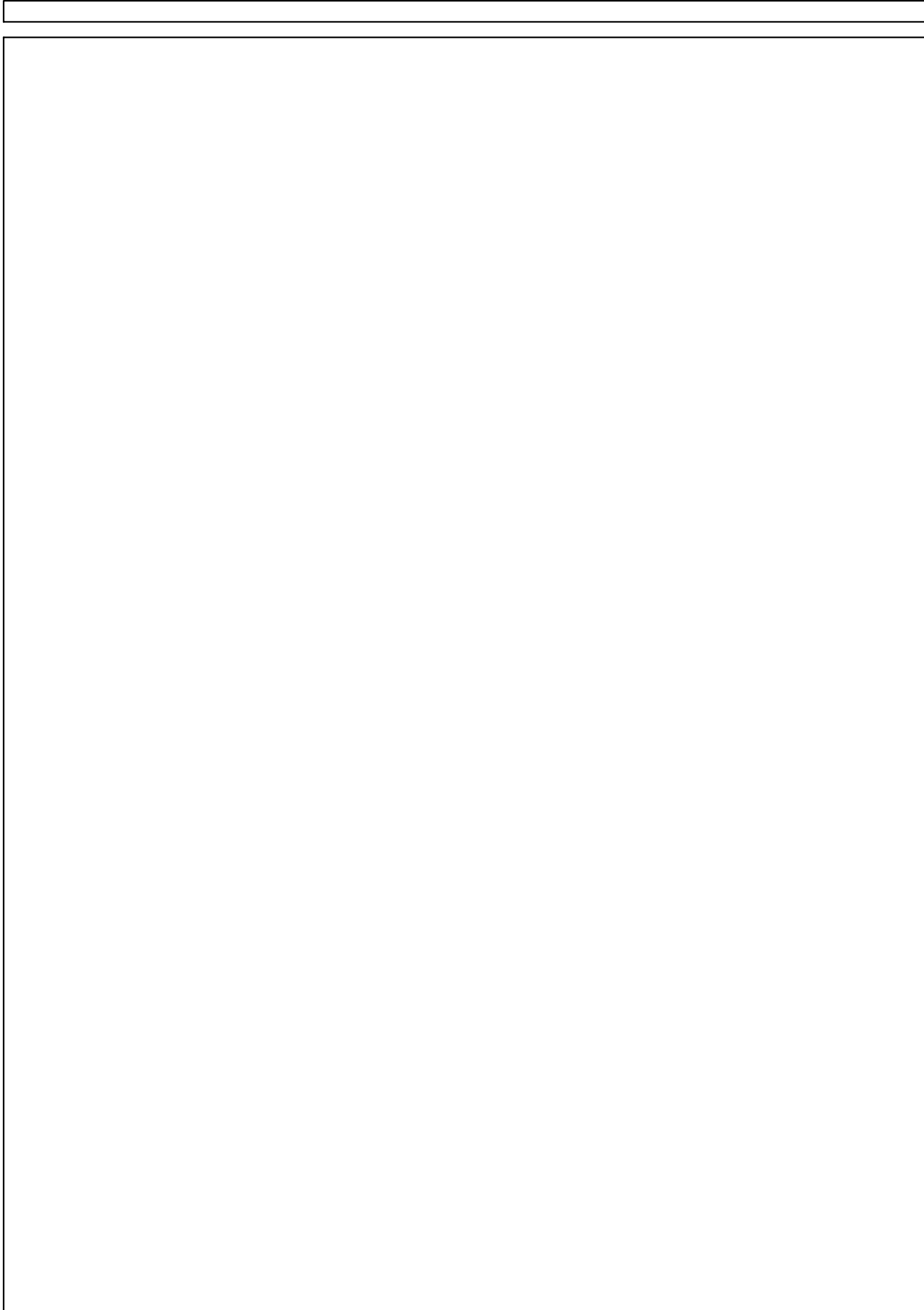
Secondary Visible Side

Scale 1:1

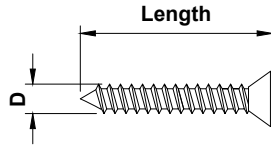
**Section B**

**Accessories**

**Photos & Drawings**



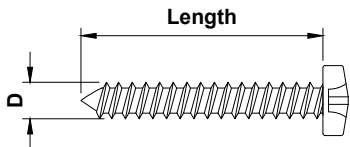
## Countersunk Screws



| Gauge | 'D' (mm) |
|-------|----------|
| No.6  | 3.5      |
| No.7  | 3.8      |
| No.8  | 4        |
| No.10 | 5        |
| No.12 | 6        |

| Part Number | Gauge | X | Length | Description                      | Box Qty. |
|-------------|-------|---|--------|----------------------------------|----------|
| ACUN3530    | No.6  | X | 5/8"   | Countersunk Pozi Self Tapper S/S | 100      |
| MUA025SSZ   | No.6  | X | 1"     | Countersunk Pozi Self Tapper S/S | 100      |
| ACET067     | No.7  | X | 1/2"   | Countersunk Pozi Self Tapper S/S | 100      |
| ACET060     | No.7  | X | 1"     | Countersunk Pozi Self Tapper S/S | 100      |
| ACET066     | No.7  | X | 1 1/2" | Countersunk Pozi Self Tapper S/S | 100      |
| MUA067SSZ   | No.7  | X | 2"     | Countersunk Pozi Self Tapper S/S | 100      |
| ACPD815     | No.7  | X | 3/4"   | Countersunk Pozi Self Tapper S/S | 100      |
| ACET064     | No.8  | X | 5/8"   | Countersunk Pozi Self Tapper S/S | 100      |
| ACUN3512    | No.8  | X | 1 1/4" | Countersunk Pozi Self Tapper S/S | 100      |
| ACUN3513    | No.8  | X | 1 3/4" | Countersunk Pozi Self Tapper S/S | 100      |
| ACET072     | No.8  | X | 2 1/2" | Countersunk Pozi Self Tapper S/S | 100      |
| ACET490     | 4.3mm | X | 16mm   | Countersunk PH2 Polyamide Screw  | 1000     |
| ACET290     | 4.3mm | X | 20mm   | Countersunk PH2 Polyamide Screw  | 100      |
| ACET390     | 4.3mm | X | 25mm   | Countersunk PH2 Polyamide Screw  | 200      |
| ACET190     | 4.3mm | X | 45mm   | Countersunk PH2 Polyamide Screw  | 1000     |
| ACVS062     | 4.3mm | X | 65mm   | Countersunk PH2 Polyamide Screw  | 1000     |
| ACET048     | No.10 | X | 3/8"   | Countersunk Pozi Self Tapper S/S | 100      |
| ACIM062     | No.10 | X | 1 1/4" | Countersunk Pozi Self Tapper S/S | 100      |
| ACET062     | No.10 | X | 2"     | Countersunk Pozi Self Tapper S/S | 100      |
| ACET076     | No.10 | X | 2 1/2" | Countersunk Pozi Self Tapper S/S | 100      |

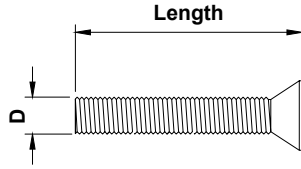
## Pan Head Screws



| Gauge | 'D' (mm) |
|-------|----------|
| No.6  | 3.5      |
| No.7  | 3.8      |
| No.8  | 4        |
| No.10 | 5        |
| No.12 | 6        |

| Part Number | Gauge | X | Length | Description                    | Box Qty. |
|-------------|-------|---|--------|--------------------------------|----------|
| ACET068     | No.8  | X | 3/8"   | Pozi Flange AB                 | 100      |
| ACET063     | No.8  | X | 1/2"   | Pan Head Self Tapper           | 100      |
| ACET070     | No.8  | X | 1/2"   | Pozi Flange Self Tapper S/S    | 100      |
| ACUN3535    | No.8  | X | 5/8"   | Pan Head Pozi S/S              | 100      |
| ACET099     | No.8  | X | 3/4"   | Pozi Flange Self Tapper S/S    | 100      |
| ACDR050     | 4.8mm | X | 32mm   | Pan Head Pozi S/S              | 200      |
| PUA028      | No.10 | X | 1"     | Pan Head Pozi S/S              | 100      |
| ACDR052     | No.10 | X | 2"     | Pan Head Self Tapper S/S       | 200      |
| ACET079     | No.10 | X | 2 1/2" | Pan Head Pozi S/S              | 100      |
| ACW20160    | No.12 | X | 1"     | Flange Head Self Tapper S/S    | 100      |
| ACMC109     | 6.3mm | X | 38mm   | DIN7981 - Pan Head Self Tapper | 200      |

**Machine Screws**









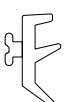
| Thread     | 'D' (mm)<br>Nominal |
|------------|---------------------|
| <b>M4</b>  | <b>4</b>            |
| <b>M5</b>  | <b>5</b>            |
| <b>M6</b>  | <b>6</b>            |
| <b>M8</b>  | <b>8</b>            |
| <b>M10</b> | <b>10</b>           |

| Part Number | Thread | X | Length | Description                     | Box Qty. |
|-------------|--------|---|--------|---------------------------------|----------|
| ACET122     | M4     | X | 10     | CSK Pozi Machine Screw          | 100      |
| ACET123     | M4     | X | 20     | CSK Pozi Machine Screw          | 100      |
| ACDV264     | M4     | X | 35     | CSK Pozi Machine Screw          | 100      |
| ACSG071     | M4     | X | 40     | CSK Pozi Machine Screw          | 100      |
| ACDV266     | M4     | X | 45     | CSK Pozi Machine Screw          | 100      |
| ACDV262     | M4     | X | 50     | CSK Pozi Machine Screw          | 100      |
| ACDV265     | M4     | X | 60     | CSK Pozi Machine Screw          | 100      |
| ACDR051     | M5     | X | 10     | CSK Pozi Machine Screw          | 100      |
| ACET069     | M5     | X | 12     | CSK Pozi Machine Screw          | 100      |
| HEA132      | M5     | X | 16     | CSK Pozi Machine Screw          | 100      |
| WCA134      | M5     | X | 20     | CSK Pozi Machine Screw          | 100      |
| WCA143      | M5     | X | 25     | CSK Pozi Machine Screw          | 50       |
| ACVS061     | M5     | X | 40     | CSK Pozi Machine Screw          | 100      |
| ACET133     | M5     | X | 50     | CSK Pozi Machine Screw          | 100      |
| ACET220     | M5     | X | 60     | CSK Pozi Machine Screw          | 100      |
| ACET238     | M5     | X | 70     | CSK Pozi Machine Screw          | 100      |
| ACMX861     | M5     | X | 80     | DIN965 - CSK Machine Screw      | 10       |
| ACMX862     | M5     | X | 90     | DIN965 - CSK Machine Screw      | 10       |
| ACUN3503    | M6     | X | 10     | CSK Socket Machine Screw        | 24       |
| ACUN3501    | M6     | X | 13     | CSK Flange Socket Machine Screw | 48       |
| ACMX852     | M6     | X | 16     | DIN965 - CSK Machine Screw      | 10       |
| HEA390      | M6     | X | 16     | CSK Socket Machine Screw        | 32       |
| ACET235     | M6     | X | 60     | CSK Pozi Machine Screw          | 100      |
| ACET237     | M6     | X | 70     | CSK Pozi Machine Screw          | 100      |

## Glazing Gaskets

### Retaining Gasket

Commonly known as an E Gasket.  
Retaining gaskets create a seal between the glass and the aluminium profile.









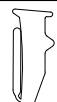

| High Line | 2mm |    | ACVG231   |         |
|-----------|-----|---|---|---------|
|           |     |   | 200m  |         |
|           |     |   | BL  |         |
| 3mm       | 3mm |    | ACVG31  |         |
|           |     |   | 200m  |         |
|           |     |   | BL  |         |
| 4mm       | 4mm |    | ACVG131   |         |
|           |     |   | 100m  |         |
|           |     |   | BL  |         |
| Low Line  | 2mm |  | ACET843   |         |
|           |     |   | 200m  |         |
|           |     |   | BL  |         |
|           | 3mm | 3mm   |  | ACET842 |
|           |     |   |   | 200m    |
|           |     |   |   | BL      |
|           | 4mm | 4mm   |  | ACET841 |
|           |     |   |   | 200m    |
|           |     |   |   | BL      |
|           | 4mm | 4mm   |  | ACET835 |
|           |     |   |   | 200m    |
|           |     |   |   | BL      |

| Thickness | Drawing<br>1:1 | Part number       |
|-----------|----------------|-------------------|
|           |                | Coil length       |
|           |                | Available Colours |

**PLEASE SEE GLAZING  
CHART IN SECTION E FOR  
FURTHER INFORMATION**

### Wedge Gasket

Wedge Gaskets help to hold the bead in place by providing tension between the bead and the glazing unit.

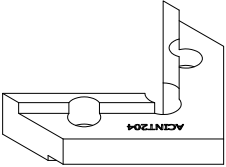
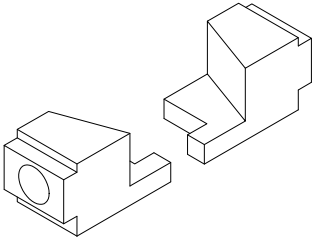
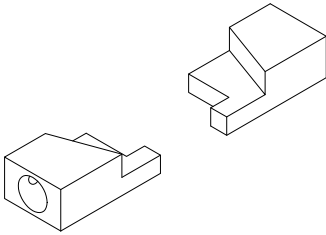
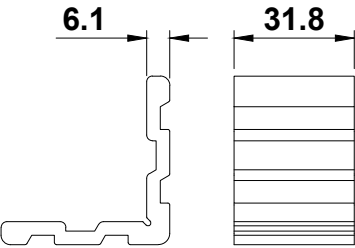
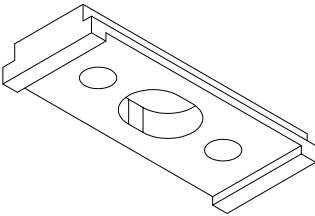

| High Line | 3mm       |    | ACVG32   |
|-----------|-----------|--|----------|
|           |           |  | 100m     |
|           |           |  | BL       |
| 3mm       | 3mm       |    | ACVG32N  |
|           |           |  | 100m     |
|           |           |  | BL       |
| 4mm       | 4mm       |    | ACVG33   |
|           |           |  | 100m     |
|           |           |  | BL       |
| 4mm       | 4mm       |  | ACVG33N  |
|           |           |  | 100m     |
|           |           |  | BL       |
| 5mm       | 5mm       |  | ACVG34   |
|           |           |  | 100m     |
|           |           |  | BL       |
| 5mm       | 5mm       |  | ACVG34N  |
|           |           |  | 100m     |
|           |           |  | BL       |
| 6mm       | 6mm       |  | ACVG340  |
|           |           |  | 100m     |
|           |           |  | BL       |
| 6mm       | 6mm       |  | ACVG340N |
|           |           |  | 100m     |
|           |           |  | BL       |
| Low Line  | 4mm - 3mm |  | ACW20038 |
|           |           |  | 50m      |
|           |           |  |          |
| 5mm       | 5mm       |  | ACET840N |
|           |           |  | 200m     |
|           |           |  | BL       |



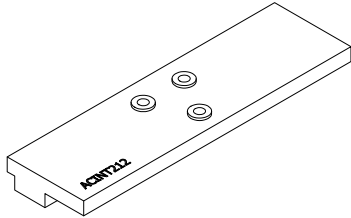
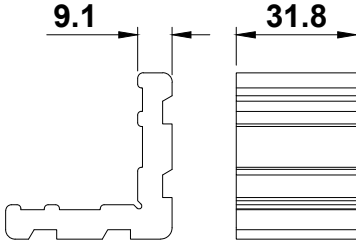
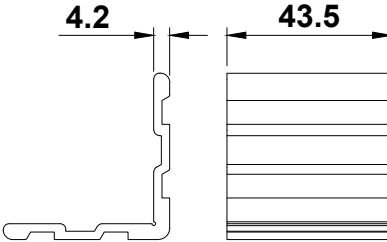
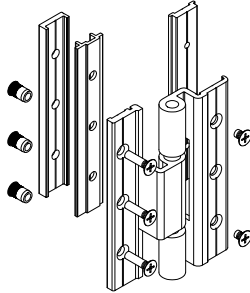
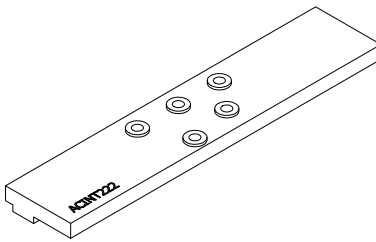



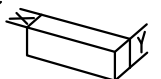
ACCESSORIES : PHOTOS & DRAWINGS

| Image   | Part Code   | Pack                                 | Unit | Application  | Colour                                 |
|---|---|--------------------------------------|------|--|--|
|   | <b>ACET045</b><br><br>Stainless Steel Chevron   | 100                                  | pack | <b>INT210</b><br><b>INT218</b>                                   | MF <input checked="" type="checkbox"/> |
|   |   |                                      |      |  | SA <input type="checkbox"/>            |
|   |   |                                      |      |  | KL <input type="checkbox"/>            |
|   |   |                                      |      |  | HP <input type="checkbox"/>            |
|   |   |                                      |      |  | SSC <input type="checkbox"/>           |
|   |   |                                      |      |  | SMC <input type="checkbox"/>           |
|   |   |                                      |      |  | W <input type="checkbox"/>             |
|   |   |                                      |      |  | Z <input type="checkbox"/>             |
|   |   |                                      |      |  | PC <input type="checkbox"/>            |
|   | <b>ACET904</b><br><br>Punch Tool  | 1                                    | pair | <b>INT218</b>  | MF <input checked="" type="checkbox"/> |
|   |   |                                      |      |  | SA <input type="checkbox"/>            |
|   |   |                                      |      |  | KL <input type="checkbox"/>            |
|   |   |                                      |      |  | HP <input type="checkbox"/>            |
|   |   |                                      |      |  | SSC <input type="checkbox"/>           |
|   |   |                                      |      |  | SMC <input type="checkbox"/>           |
|   |   |                                      |      |  | W <input type="checkbox"/>             |
|   |   |                                      |      |  | Z <input type="checkbox"/>             |
|   |   |                                      |      |  | PC <input type="checkbox"/>            |
|   | <b>ACINT201</b><br><br>V-Block  | 1                                    | each | <b>INT210</b><br><b>INT218</b><br><b>INT220</b><br><b>INT320</b> | MF <input checked="" type="checkbox"/> |
|   |   |                                      |      |  | SA <input type="checkbox"/>            |
|   |   |                                      |      |  | KL <input type="checkbox"/>            |
|   |   |                                      |      |  | HP <input type="checkbox"/>            |
|   |   |                                      |      |  | SSC <input type="checkbox"/>           |
|   |   |                                      |      |  | SMC <input type="checkbox"/>           |
|   |   |                                      |      |  | W <input type="checkbox"/>             |
|   |   |                                      |      |  | Z <input type="checkbox"/>             |
|   |   |                                      |      |  | PC <input type="checkbox"/>            |
|   | <b>ACINT202</b><br><br>Packer   | 1                                    | each | <b>INT210</b>  | MF <input checked="" type="checkbox"/> |
|   |   |                                      |      |  | SA <input type="checkbox"/>            |
|   |   |                                      |      |  | KL <input type="checkbox"/>            |
|   |   |                                      |      |  | HP <input type="checkbox"/>            |
|   |   |                                      |      |  | SSC <input type="checkbox"/>           |
|   |   |                                      |      |  | SMC <input type="checkbox"/>           |
|   |   |                                      |      |  | W <input type="checkbox"/>             |
|   |   |                                      |      |  | Z <input type="checkbox"/>             |
|   |   |                                      |      |  | PC <input type="checkbox"/>            |
|   | <b>ACINT203</b><br><br>Packer   | 1                                    | each | <b>INT218</b><br><b>INT320</b>                                   | MF <input checked="" type="checkbox"/> |
|   |   |                                      |      |  | SA <input type="checkbox"/>            |
|   |   |                                      |      |  | KL <input type="checkbox"/>            |
|   |   |                                      |      |  | HP <input type="checkbox"/>            |
|   |   |                                      |      |  | SSC <input type="checkbox"/>           |
|   |   |                                      |      |  | SMC <input type="checkbox"/>           |
|   |   |                                      |      |  | W <input type="checkbox"/>             |
|   |   |                                      |      |  | Z <input type="checkbox"/>             |
|   |   |                                      |      |  | PC <input type="checkbox"/>            |
| <p>T-BARS<br/>ACVG66=2.5mm<br/>ACVG66=3.0mm<br/>ACVL150=4.0mm</p> <p>Screw (Grub)</p> | <b>MF</b> = Mill Finish<br><b>SA</b> = Silver Anodised<br><b>KL</b> = Basic Colour<br><b>HP</b> = Special Colour<br><b>SSC</b> = Smooth Satin Chrome<br><b>SMC</b> = Smokey Chrome<br><b>PC</b> = Polished Chrome | <b>W</b> = White<br><b>Z</b> = Black |      |  |  |

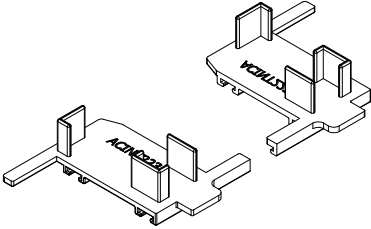
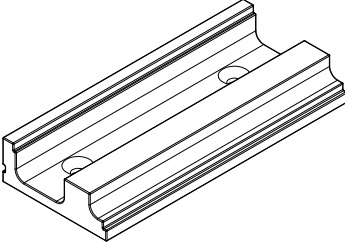
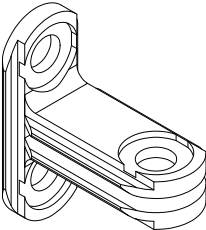
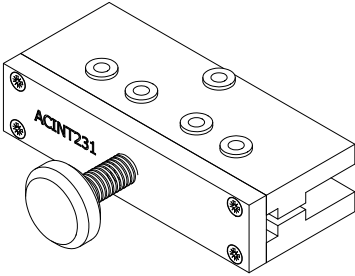
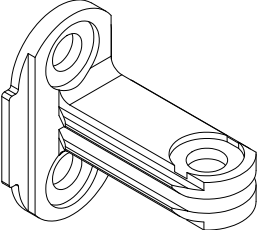


ACCESSORIES : PHOTOS & DRAWINGS

| Image   | Part Code                          | Pack | Unit | Application        | Colour  |
|---|------------------------------------|------|------|--------------------|---|
|    | <b>ACINT204</b><br><br>Packer      | 1    | each | INT220             | MF <input checked="" type="checkbox"/>  |
|   |                                    |      |      |                    | SA <input type="checkbox"/>   |
|   |                                    |      |      |                    | KL <input type="checkbox"/>   |
|   |                                    |      |      |                    | HP <input type="checkbox"/>   |
|   |                                    |      |      |                    | SSC <input type="checkbox"/>  |
|   |                                    |      |      |                    | SMC <input type="checkbox"/>  |
|   |                                    |      |      |                    | W <input type="checkbox"/>  |
|   |                                    |      |      |                    | Z <input type="checkbox"/>  |
|   |                                    |      |      |                    | PC <input type="checkbox"/>   |
|   |                                    |      |      |                    |    |
| SA <input type="checkbox"/>   |                                    |      |      |                    |   |
| KL <input type="checkbox"/>   |                                    |      |      |                    |   |
| HP <input type="checkbox"/>   |                                    |      |      |                    |   |
| SSC <input type="checkbox"/>  |                                    |      |      |                    |   |
| SMC <input type="checkbox"/>  |                                    |      |      |                    |   |
| W <input type="checkbox"/>  |                                    |      |      |                    |   |
| Z <input type="checkbox"/>  |                                    |      |      |                    |   |
| PC <input type="checkbox"/>   |                                    |      |      |                    |   |
|   | <b>ACINT207</b><br><br>Punch Tool  | 1    | pair | INT320             |   |
|   |                                    |      |      |                    | SA <input type="checkbox"/>   |
|   |                                    |      |      |                    | KL <input type="checkbox"/>   |
|   |                                    |      |      |                    | HP <input type="checkbox"/>   |
|   |                                    |      |      |                    | SSC <input type="checkbox"/>  |
|   |                                    |      |      |                    | SMC <input type="checkbox"/>  |
|   |                                    |      |      |                    | W <input type="checkbox"/>  |
|   |                                    |      |      |                    | Z <input type="checkbox"/>  |
|   |                                    |      |      |                    | PC <input type="checkbox"/>   |
|   |                                    |      |      |                    |    |
| SA <input type="checkbox"/>   |                                    |      |      |                    |   |
| KL <input type="checkbox"/>   |                                    |      |      |                    |   |
| HP <input type="checkbox"/>   |                                    |      |      |                    |   |
| SSC <input type="checkbox"/>  |                                    |      |      |                    |   |
| SMC <input type="checkbox"/>  |                                    |      |      |                    |   |
| W <input type="checkbox"/>  |                                    |      |      |                    |   |
| Z <input type="checkbox"/>  |                                    |      |      |                    |   |
| PC <input type="checkbox"/>   |                                    |      |      |                    |   |
|  | <b>ACINT211</b><br><br>Keep Packer | 1    | each | INT210<br>ACINT251 |   |
|   |                                    |      |      |                    | SA <input type="checkbox"/>   |
|   |                                    |      |      |                    | KL <input type="checkbox"/>   |
|   |                                    |      |      |                    | HP <input type="checkbox"/>   |
|   |                                    |      |      |                    | SSC <input type="checkbox"/>  |
|   |                                    |      |      |                    | SMC <input type="checkbox"/>  |
|   |                                    |      |      |                    | W <input type="checkbox"/>  |
|   |                                    |      |      |                    | Z <input checked="" type="checkbox"/>   |
|   |                                    |      |      |                    | PC <input type="checkbox"/>   |
|   |                                    |      |      |                    | <br>T-BARS<br>ACVG665=2.5mm<br>ACVG666=3.0mm<br>ACVL150=4.0mm |

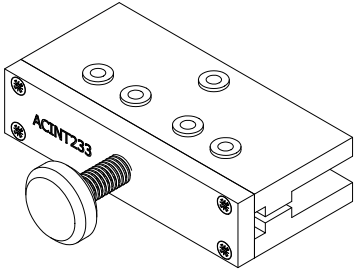
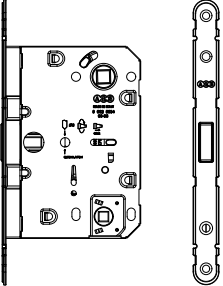
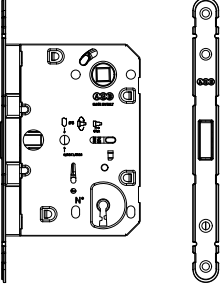

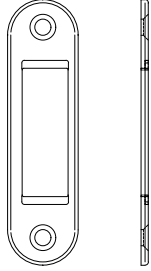


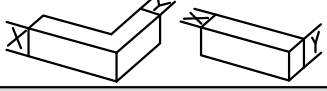
ACCESSORIES : PHOTOS & DRAWINGS

| Image   | Part Code  | Pack  | Unit                                 | Application   | Colour |
|---|--|---|--------------------------------------|---|--------|
|    | <b>ACINT212</b><br><br>Drill Jig   | 1   | each                                 | INT210  | MF     |
|   |  |   |                                      |   | SA     |
|   |  |   |                                      |   | KL     |
|   |  |   |                                      |   | HP     |
|   |  |   |                                      |   | SSC    |
|   |  |   |                                      |   | SMC    |
|   |  |   |                                      |   | W      |
|   |  |   |                                      |   | Z      |
|   |  |   |                                      |   | PC     |
|    | <b>ACINT218</b><br><br>Crimping Corner Cleat   | 24  | pack                                 | INT218  | MF     |
|   |  |   |                                      |   | SA     |
|   |  |   |                                      |   | KL     |
|   |  |   |                                      |   | HP     |
|   |  |   |                                      |   | SSC    |
|   |  |   |                                      |   | SMC    |
|   |  |   |                                      |   | W      |
|   |  |   |                                      |   | Z      |
|   |  |   |                                      |   | PC     |
|   | <b>ACINT220</b><br><br>Crimping Corner Cleat   | 24  | pack                                 | INT220  | MF     |
|   |  |   |                                      |   | SA     |
|   |  |   |                                      |   | KL     |
|   |  |   |                                      |   | HP     |
|   |  |   |                                      |   | SSC    |
|   |  |   |                                      |   | SMC    |
|   |  |   |                                      |   | W      |
|   |  |   |                                      |   | Z      |
|   |  |   |                                      |   | PC     |
|    | <b>ACINT221</b><br><br>Open In Hinge Kit   | 1   | each                                 | INT220  | MF     |
|   |  |   |                                      |   | SA     |
|   |  |   |                                      |   | KL     |
|   |  |   |                                      |   | HP     |
|   |  |   |                                      |   | SSC    |
|   |  |   |                                      |   | SMC    |
|   |  |   |                                      |   | W      |
|   |  |   |                                      |   | Z      |
| PC  |  |   |                                      |   |        |
|    | <b>ACINT222</b><br><br>Drill Jig   | 1   | each                                 | INT218<br>INT220<br>INT320  | MF     |
|   |  |   |                                      |   | SA     |
|   |  |   |                                      |   | KL     |
|   |  |   |                                      |   | HP     |
|   |  |   |                                      |   | SSC    |
|   |  |   |                                      |   | SMC    |
|   |  |   |                                      |   | W      |
|   |  |   |                                      |   | Z      |
|   |  |   |                                      |   | PC     |
|  T-BARS<br>ACVG65=2.5mm<br>ACVG66=3.0mm<br>ACVL150=4.0mm |  Screw (Grub) | <b>MF</b> = Mill Finish<br><b>SA</b> = Silver Anodised<br><b>KL</b> = Basic Colour<br><b>HP</b> = Special Colour<br><b>SSC</b> = Smooth Satin Chrome<br><b>SMC</b> = Smokey Chrome<br><b>PC</b> = Polished Chrome | <b>W</b> = White<br><b>Z</b> = Black |   |        |

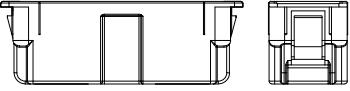

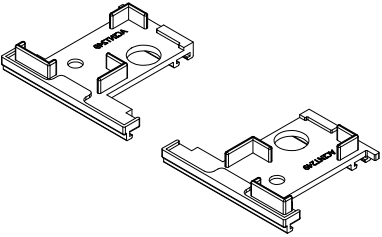
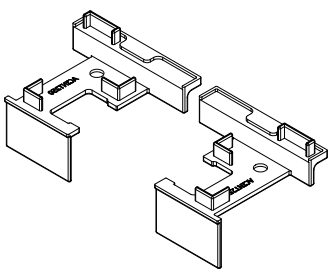

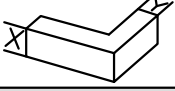
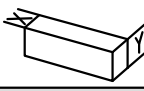
ACCESSORIES : PHOTOS & DRAWINGS

| Image   | Part Code                          | Pack | Unit | Application                                    | Colour  |   |
|---|------------------------------------|------|------|--|---|---|
|     | <b>ACINT223</b><br>End Cap         | 1    | pair | INT220   | MF  |   |
|   |                                    |      |      |  | SA  |   |
|   |                                    |      |      |  | KL  |   |
|   |                                    |      |      |  | HP  |   |
|   |                                    |      |      |  | SSC   |   |
|   |                                    |      |      |  | SMC   |   |
|   |                                    |      |      |  | W   |   |
|   |                                    |      |      |  | Z   | ✓   |
|   |                                    |      |      |  | PC  |   |
|   |                                    |      |      |  |    | <b>ACINT224</b><br>Block  |
| SA  |                                    |      |      |  |   |   |
| KL  |                                    |      |      |  |   |   |
| HP  |                                    |      |      |  |   |   |
| SSC   |                                    |      |      |  |   |   |
| SMC   |                                    |      |      |  |   |   |
| W   |                                    |      |      |  |   |   |
| Z   | ✓                                  |      |      |  |   |   |
| PC  |                                    |      |      |  |   |   |
|   | <b>ACINT230</b><br>Transom Bracket | 2    | pack | INT218<br>INT220<br>INT230<br>INT232<br>INT320 |   |   |
|   |                                    |      |      |  | SA  |   |
|   |                                    |      |      |  | KL  |   |
|   |                                    |      |      |  | HP  |   |
|   |                                    |      |      |  | SSC   |   |
|   |                                    |      |      |  | SMC   |   |
|   |                                    |      |      |  | W   |   |
|   |                                    |      |      |  | Z   |   |
|   |                                    |      |      |  | PC  | ✓   |
|   |                                    |      |      |  |    | <b>ACINT231</b><br>Drill Jig  |
| SA  |                                    |      |      |  |   |   |
| KL  |                                    |      |      |  |   |   |
| HP  |                                    |      |      |  |   |   |
| SSC   |                                    |      |      |  |   |   |
| SMC   |                                    |      |      |  |   |   |
| W   |                                    |      |      |  |   |   |
| Z   |                                    |      |      |  |   |   |
| PC  |                                    |      |      |  |   |   |
|  | <b>ACINT232</b><br>Transom Bracket | 2    | pack | INT210<br>INT232                               |   |   |
|   |                                    |      |      |  | SA  |   |
|   |                                    |      |      |  | KL  |   |
|   |                                    |      |      |  | HP  |   |
|   |                                    |      |      |  | SSC   |   |
|   |                                    |      |      |  | SMC   |   |
|   |                                    |      |      |  | W   |   |
|   |                                    |      |      |  | Z   |   |
|   |                                    |      |      |  | PC  | ✓   |
|   |                                    |      |      |  | <br>T-BARS<br>ACVG665=2.5mm<br>ACVG666=3.0mm<br>ACVL150=4.0mm | <br>Screw (Grub) |

ACCESSORIES : PHOTOS & DRAWINGS

| Image   | Part Code  | Pack   | Unit                                 | Application   | Colour |   |
|---|--|--|--------------------------------------|---|--------|---|
|    | <b>ACINT233</b><br><br>Drill Jig   | 1  | each                                 | <b>INT232</b>   | MF     |   |
|   |  |  |                                      |   | SA     |   |
|   |  |  |                                      |   | KL     |   |
|   |  |  |                                      |   | HP     |   |
|   |  |  |                                      |   | EB     |   |
|   |  |  |                                      |   | NP     |   |
|   |  |  |                                      |   | MC     |   |
|   |  |  |                                      |   | W      |   |
|   |  |  |                                      |   | Z      |   |
|    | <b>ACINT237</b><br><br>Magnetic Sash Bathroom Lock<br>70.5 mm Backset                            | 1  | each                                 | <b>INT238</b><br><b>INT438</b><br><b>ACINT239</b>                                     | MF     |   |
|   |  |  |                                      |   | SA     |   |
|   |  |  |                                      |   | KL     |   |
|   |  |  |                                      |   | HP     |   |
|   |  |  |                                      |   | EB     |   |
|   |  |  |                                      |   | NP     |   |
|   |  |  |                                      |   | MC     |   |
|   |  |  |                                      |   | W      |   |
|   |  |  |                                      |   | Z      |   |
|   | <b>ACINT238</b><br><br>Magnetic Sash Key Lock<br>70.5 mm Backset                                 | 1  | each                                 | <b>INT238</b><br><b>INT438</b><br><b>ACINT239</b>                                     | MF     |   |
|   |  |  |                                      |   | SA     |   |
|   |  |  |                                      |   | KL     |   |
|   |  |  |                                      |   | HP     |   |
|   |  |  |                                      |   | EB     |   |
|   |  |  |                                      |   | NP     |   |
|   |  |  |                                      |   | MC     |   |
|   |  |  |                                      |   | W      |   |
|   |  |  |                                      |   | Z      |   |
|    | <b>ACINT239</b><br><br>Forend Cover  | 1  | each                                 | <b>ACINT238</b>   | MF     |   |
|   |  |  |                                      |   | SA     |   |
|   |  |  |                                      |   | KL     |   |
|   |  |  |                                      |   | HP     |   |
|   |  |  |                                      |   | EB     | ✓ |
|   |  |  |                                      |   | NP     | ✓ |
|   |  |  |                                      |   | MC     | ✓ |
|   |  |  |                                      |   | W      |   |
| Z   |  |  |                                      |   |        |   |
|    | <b>ACINT240</b><br><br>Striker Cover Plate   | 1  | each                                 | <b>INT210</b><br><b>INT412</b><br><b>ACINT241</b>                                     | MF     |   |
|   |  |  |                                      |   | SA     |   |
|   |  |  |                                      |   | KL     |   |
|   |  |  |                                      |   | HP     |   |
|   |  |  |                                      |   | EB     | ✓ |
|   |  |  |                                      |   | NP     | ✓ |
|   |  |  |                                      |   | MC     | ✓ |
|   |  |  |                                      |   | W      |   |
| Z   |  |  |                                      |   |        |   |
|  T-BARS<br>ACVG65=2.5mm<br>ACVG66=3.0mm<br>ACVL150=4.0mm |  Screw (Grub) | <b>MF</b> = Mill Finish<br><b>SA</b> = Silver Anodised<br><b>KL</b> = Basic Colour<br><b>HP</b> = Special Colour<br><b>EB</b> = Enamel Brass<br><b>NP</b> = Nickel Plated<br><b>MC</b> = Matt Chrome | <b>W</b> = White<br><b>Z</b> = Black |  |        |   |

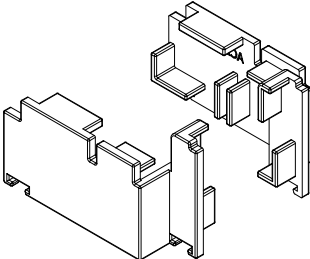
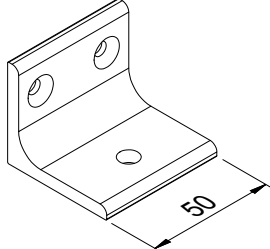
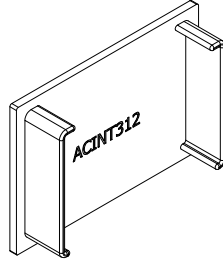
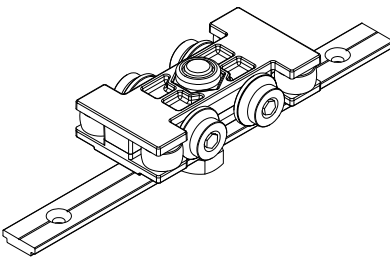
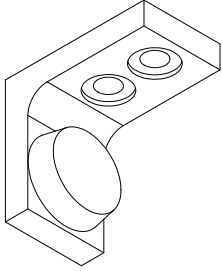


ACCESSORIES : PHOTOS & DRAWINGS

| Image   | Part Code   | Pack | Unit | Application | Colour  |
|---|---|------|------|-------------|---|
|    | <b>ACINT241</b><br><br>Latch Cover Tray<br>with Magnet  | 1    | each | ACINT240    | MF  |
|   |   |      |      |             | SA  |
|   |   |      |      |             | KL  |
|   |   |      |      |             | HP  |
|   |   |      |      |             | EB  |
|   |   |      |      |             | NP  |
|   |   |      |      |             | MC  |
|   |   |      |      |             | W   |
|   |   |      |      |             | Z   |
|   |   |      |      |             | ✓   |
|    | <b>ACINT242</b><br><br>Key for Magnetic Lock  | 1    | each | ACINT238    | MF  |
|   |   |      |      |             | SA  |
|   |   |      |      |             | KL  |
|   |   |      |      |             | HP  |
|   |   |      |      |             | EB  |
|   |   |      |      |             | NP  |
|   |   |      |      |             | MC  |
|   |   |      |      |             | W   |
|   |   |      |      |             | Z   |
|   |   |      |      |             | ✓   |
|    | <b>ACINT249</b><br><br>End Cap  | 1    | pair | INT249      | MF  |
|   |   |      |      |             | SA  |
|   |   |      |      |             | KL  |
|   |   |      |      |             | HP  |
|   |   |      |      |             | EB  |
|   |   |      |      |             | NP  |
|   |   |      |      |             | MC  |
|   |   |      |      |             | W   |
|   |   |      |      |             | Z   |
|   |   |      |      |             | ✓   |
|  | <b>ACINT250</b><br><br>End Cap  | 1    | pair | INT249      | MF  |
|   |   |      |      |             | SA  |
|   |   |      |      |             | KL  |
|   |   |      |      |             | HP  |
|   |   |      |      |             | EB  |
|   |   |      |      |             | NP  |
|   |   |      |      |             | MC  |
|   |   |      |      |             | W   |
|   |   |      |      |             | Z   |
|   |   |      |      |             | ✓   |
|   | MF = Mill Finish<br>SA = Silver Anodised<br>KL = Basic Colour<br>HP = Special Colour<br>EB = Enamel Brass<br>NP = Nickel Plated<br>MC = Matt Chrome |      |      |             | MF  |
|   |   |      |      |             | SA  |
|   |   |      |      |             | KL  |
|   |   |      |      |             | HP  |
|   |   |      |      |             | EB  |
|   |   |      |      |             | NP  |
|   |   |      |      |             | MC  |
|   |   |      |      |             | W   |
|   |   |      |      |             | Z   |
|   |   |      |      |             | W = White   |
|   |   |      |      |             | Z = Black   |
|   |   |      |      |             |   |

ACCESSORIES : PHOTOS & DRAWINGS

| Image   | Part Code  | Pack                   | Unit | Application                          | Colour |
|---|--|------------------------|------|--------------------------------------|--------|
|   | <b>Flush Bolt</b><br><b>16 mm Forend</b><br><br><b>ACINT251</b><br>L = 162.5mm<br><br><b>ACINT252</b><br>L = 202.5mm<br><br><b>ACINT253</b><br>L = 252.5mm<br><br><b>ACINT254</b><br>L = 302.5mm<br><br><b>ACINT255</b><br>L = 402.5mm | 1                      | each | INT249                               | MF     |
|   | SA   |                        |      |                                      |        |
|   | KL   |                        |      |                                      |        |
|   | HP   |                        |      |                                      |        |
|   | EB   |                        |      |                                      | ✓      |
|   | NP   |                        |      |                                      | ✓      |
| MC  | ✓  |                        |      |                                      |        |
| W   |  |                        |      |                                      |        |
| Z   | ✓  |                        |      |                                      |        |
|   | <b>ACINT260</b><br><br>11.5 x 4.5mm Packer   | 100                    | pack | INT210<br>INT218<br>INT220<br>INT275 | MF     |
|   | SA   |                        |      |                                      |        |
|   | KL   |                        |      |                                      |        |
|   | HP   |                        |      |                                      |        |
|   | EB   |                        |      |                                      |        |
|   | NP   |                        |      |                                      |        |
|   | MC   |                        |      |                                      |        |
|   | W  |                        |      |                                      |        |
| Z   |  |                        |      |                                      |        |
|   | <b>ACINT261</b><br><br>13.8 x 2.5mm Packer   | 100                    | pack | INT230<br>INT232                     | MF     |
|   | SA   |                        |      |                                      |        |
|   | KL   |                        |      |                                      |        |
|   | HP   |                        |      |                                      |        |
|   | EB   |                        |      |                                      |        |
|   | NP   |                        |      |                                      |        |
|   | MC   |                        |      |                                      |        |
|   | W  |                        |      |                                      |        |
| Z   |  |                        |      |                                      |        |
| <p>T-BARS<br/>ACVG65=2.5mm<br/>ACVG66=3.0mm<br/>ACVL150=4.0mm</p> <p>Screw (Grub)</p> | MF = Mill Finish<br>SA = Silver Anodised<br>KL = Basic Colour<br>HP = Special Colour<br>EB = Enamel Brass<br>NP = Nickel Plated<br>MC = Matt Chrome  | W = White<br>Z = Black |      |                                      |        |

ACCESSORIES : PHOTOS & DRAWINGS

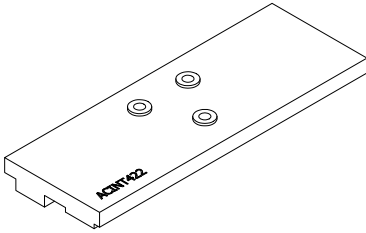
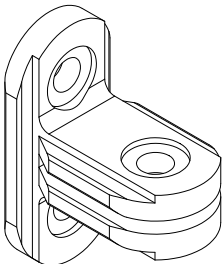
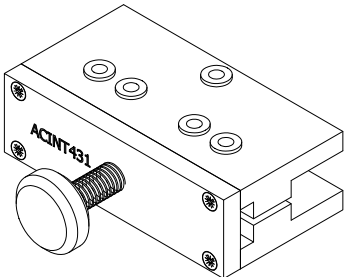

| Image   | Part Code                      | Pack | Unit | Application | Colour   |  |
|---|--------------------------------|------|------|-------------|--|--|
|    | <b>ACINT274</b><br>End Cap     | 1    | pair | INT274      | MF   |  |
|   |                                |      |      |             | SA   |  |
|   |                                |      |      |             | KL   |  |
|   |                                |      |      |             | HP   |  |
|   |                                |      |      |             | SSC  |  |
|   |                                |      |      |             | SMC  |  |
|   |                                |      |      |             | W  |  |
|   |                                |      |      |             | Z  | ✓  |
|   |                                |      |      |             | PC   |  |
|   |                                |      |      |             |   | <b>ACINT311</b><br>Bracket   |
| SA  |                                |      |      |             |  |  |
| KL  |                                |      |      |             |  |  |
| HP  |                                |      |      |             |  |  |
| SSC   |                                |      |      |             |  |  |
| SMC   |                                |      |      |             |  |  |
| W   |                                |      |      |             |  |  |
| Z   | ✓                              |      |      |             |  |  |
| PC  |                                |      |      |             |  |  |
|   | <b>ACINT312</b><br>End Cap     | 2    | pack | INT312      |  |  |
|   |                                |      |      |             | SA   |  |
|   |                                |      |      |             | KL   |  |
|   |                                |      |      |             | HP   |  |
|   |                                |      |      |             | SSC  |  |
|   |                                |      |      |             | SMC  |  |
|   |                                |      |      |             | W  |  |
|   |                                |      |      |             | Z  | ✓  |
|   |                                |      |      |             | PC   |  |
|   |                                |      |      |             |    | <b>ACINT313</b><br>Top Carrier Roller  |
| SA  |                                |      |      |             |  |  |
| KL  |                                |      |      |             |  |  |
| HP  |                                |      |      |             |  |  |
| SSC   |                                |      |      |             |  |  |
| SMC   |                                |      |      |             |  |  |
| W   |                                |      |      |             |  |  |
| Z   |                                |      |      |             |  |  |
| PC  |                                |      |      |             |  |  |
|  | <b>ACINT314</b><br>Buffer Stop | 2    | pack | INT312      |  |  |
|   |                                |      |      |             | SA   |  |
|   |                                |      |      |             | KL   |  |
|   |                                |      |      |             | HP   |  |
|   |                                |      |      |             | SSC  |  |
|   |                                |      |      |             | SMC  |  |
|   |                                |      |      |             | W  |  |
|   |                                |      |      |             | Z  | ✓  |
|   |                                |      |      |             | PC   |  |
|   |                                |      |      |             |  T-BARS<br>ACVG65=2.5mm<br>ACVG66=3.0mm<br>ACVL150=4.0mm |  Screw (Grub) |



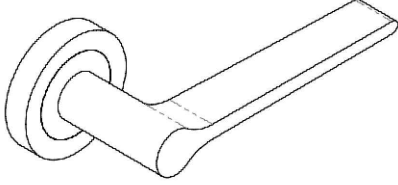
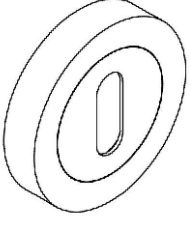
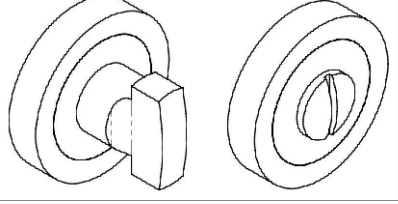
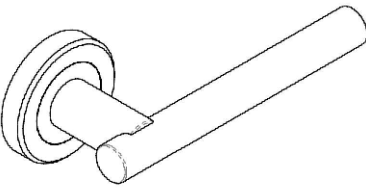
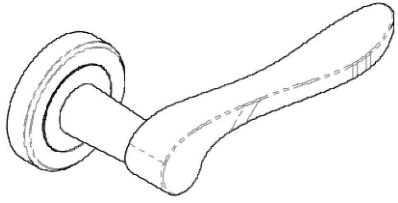


ACCESSORIES : PHOTOS & DRAWINGS

| Image | Part Code   | Pack                                 | Unit        | Application                    | Colour                                 |
|-------|---|--------------------------------------|-------------|--------------------------------|--|
|       | <b>ACINT320</b><br><br>Crimping Corner Cleat  | <b>24</b>                            | <b>pack</b> | <b>INT320</b>                  | MF <input checked="" type="checkbox"/> |
|       |   |                                      |             |                                | SA <input type="checkbox"/>            |
|       |   |                                      |             |                                | KL <input type="checkbox"/>            |
|       |   |                                      |             |                                | HP <input type="checkbox"/>            |
|       |   |                                      |             |                                | SSC <input type="checkbox"/>           |
|       |   |                                      |             |                                | SMC <input type="checkbox"/>           |
|       |   |                                      |             |                                | W <input type="checkbox"/>             |
|       |   |                                      |             |                                | Z <input type="checkbox"/>             |
|       |   |                                      |             |                                | PC <input type="checkbox"/>            |
|       |   |                                      |             |                                | PC <input type="checkbox"/>            |
|       | <b>ACINT325</b><br><br>Bottom Guide   | <b>1</b>                             | <b>each</b> | <b>INT320</b>                  | MF <input checked="" type="checkbox"/> |
|       |   |                                      |             |                                | SA <input type="checkbox"/>            |
|       |   |                                      |             |                                | KL <input type="checkbox"/>            |
|       |   |                                      |             |                                | HP <input type="checkbox"/>            |
|       |   |                                      |             |                                | SSC <input type="checkbox"/>           |
|       |   |                                      |             |                                | SMC <input type="checkbox"/>           |
|       |   |                                      |             |                                | W <input type="checkbox"/>             |
|       |   |                                      |             |                                | Z <input type="checkbox"/>             |
|       |   |                                      |             |                                | PC <input type="checkbox"/>            |
|       |   |                                      |             |                                | PC <input type="checkbox"/>            |
|       | <b>ACINT411</b><br><br>6.9mm x 15mm Black Woolpile  | <b>100</b>                           | <b>m</b>    | <b>INT411</b>                  | MF <input type="checkbox"/>            |
|       |   |                                      |             |                                | SA <input type="checkbox"/>            |
|       |   |                                      |             |                                | KL <input type="checkbox"/>            |
|       |   |                                      |             |                                | HP <input type="checkbox"/>            |
|       |   |                                      |             |                                | SSC <input type="checkbox"/>           |
|       |   |                                      |             |                                | SMC <input type="checkbox"/>           |
|       |   |                                      |             |                                | W <input type="checkbox"/>             |
|       |   |                                      |             |                                | Z <input checked="" type="checkbox"/>  |
|       |   |                                      |             |                                | PC <input type="checkbox"/>            |
|       |   |                                      |             |                                | PC <input type="checkbox"/>            |
|       | <b>ACINT420</b><br><br>End Cap  | <b>1</b>                             | <b>pair</b> | <b>INT420</b>                  | MF <input type="checkbox"/>            |
|       |   |                                      |             |                                | SA <input type="checkbox"/>            |
|       |   |                                      |             |                                | KL <input type="checkbox"/>            |
|       |   |                                      |             |                                | HP <input type="checkbox"/>            |
|       |   |                                      |             |                                | SSC <input type="checkbox"/>           |
|       |   |                                      |             |                                | SMC <input type="checkbox"/>           |
|       |   |                                      |             |                                | W <input type="checkbox"/>             |
|       |   |                                      |             |                                | Z <input checked="" type="checkbox"/>  |
|       |   |                                      |             |                                | PC <input type="checkbox"/>            |
|       |   |                                      |             |                                | PC <input type="checkbox"/>            |
|       | <b>ACINT421</b><br><br>Block  | <b>4</b>                             | <b>pack</b> | <b>INT418</b><br><b>INT420</b> | MF <input type="checkbox"/>            |
|       |   |                                      |             |                                | SA <input type="checkbox"/>            |
|       |   |                                      |             |                                | KL <input type="checkbox"/>            |
|       |   |                                      |             |                                | HP <input type="checkbox"/>            |
|       |   |                                      |             |                                | SSC <input type="checkbox"/>           |
|       |   |                                      |             |                                | SMC <input type="checkbox"/>           |
|       |   |                                      |             |                                | W <input type="checkbox"/>             |
|       |   |                                      |             |                                | Z <input type="checkbox"/>             |
|       |   |                                      |             |                                | PC <input type="checkbox"/>            |
|       |   |                                      |             |                                | PC <input type="checkbox"/>            |
|       | <b>MF</b> = Mill Finish<br><b>SA</b> = Silver Anodised<br><b>KL</b> = Basic Colour<br><b>HP</b> = Special Colour<br><b>SSC</b> = Smooth Satin Chrome<br><b>SMC</b> = Smokey Chrome<br><b>PC</b> = Polished Chrome | <b>W</b> = White<br><b>Z</b> = Black |             |                                |  |

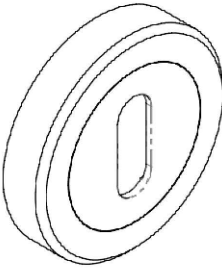
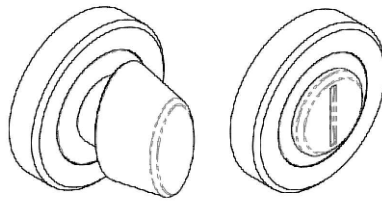
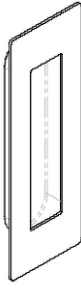

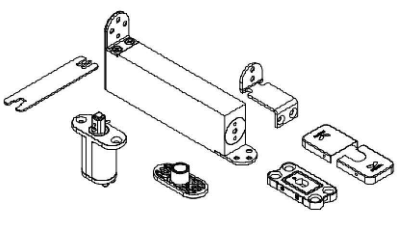


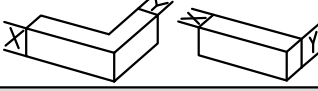
**ACCESSORIES : PHOTOS & DRAWINGS**

| Image  | Part Code   | Pack | Unit | Application                                     | Colour  |
|--|---|------|------|---|---|
|    | <b>ACINT422</b><br><br>Drill Jig  | 1    | each | <b>INT410</b><br><b>INT418</b><br><b>INT420</b> | MF  |
|  |   |      |      |   | SA  |
|  |   |      |      |   | KL  |
|  |   |      |      |   | HP  |
|  |   |      |      |   | SSC   |
|  |   |      |      |   | SMC   |
|  |   |      |      |   | W   |
|  |   |      |      |   | Z   |
|  |   |      |      |   | PC  |
|  |   |      |      |   |  |
| SA   |   |      |      |   |   |
| KL   |   |      |      |   |   |
| HP   |   |      |      |   |   |
| SSC  |   |      |      |   |   |
| SMC  |   |      |      |   |   |
| W  |   |      |      |   |   |
| Z  |   |      |      |   |   |
| PC   |   |      |      |   |   |
|  | <b>ACINT431</b><br><br>Drill Jig  | 1    | each | <b>INT430</b>                                   |   |
|  |   |      |      |   | SA  |
|  |   |      |      |   | KL  |
|  |   |      |      |   | HP  |
|  |   |      |      |   | SSC   |
|  |   |      |      |   | SMC   |
|  |   |      |      |   | W   |
|  |   |      |      |   | Z   |
|  |   |      |      |   | PC  |
|  |   |      |      |   |   |
| SA   |   |      |      |   |   |
| KL   |   |      |      |   |   |
| HP   |   |      |      |   |   |
| SSC  |   |      |      |   |   |
| SMC  |   |      |      |   |   |
| W  |   |      |      |   |   |
| Z  |   |      |      |   |   |
| PC   |   |      |      |   |   |
|  | <b>MF</b> = Mill Finish<br><b>SA</b> = Silver Anodised<br><b>KL</b> = Basic Colour<br><b>HP</b> = Special Colour<br><b>SSC</b> = Smooth Satin Chrome<br><b>SMC</b> = Smokey Chrome<br><b>PC</b> = Polished Chrome |      |      |   |   |
|  |   |      |      |   | SA  |
|  |   |      |      |   | KL  |
|  |   |      |      |   | HP  |
|  |   |      |      |   | SSC   |
|  |   |      |      |   | SMC   |
|  |   |      |      |   | W   |
|  |   |      |      |   | Z   |
|  |   |      |      |   | PC  |
|  |   |      |      |   | <b>W</b> = White<br><b>Z</b> = Black  |

ACCESSORIES : PHOTOS & DRAWINGS

| Image   | Part Code                                       | Pack | Unit | Application                        | Colour   |   |
|---|---|------|------|------------------------------------|--|---|
|   |   |      |      |                                    |  |   |
|    | <b>ACINT501</b><br>Lever On Round Rose Handle   | 1    | pair | <b>ACINT502</b><br><b>ACINT503</b> | AB   | ✓   |
|   |   |      |      |                                    | SB   | ✓   |
|   |   |      |      |                                    | SC   |   |
|   |   |      |      |                                    | SN   | ✓   |
|   |   |      |      |                                    | PB   |   |
|   |   |      |      |                                    | PN   | ✓   |
|   |   |      |      |                                    | PC   |   |
|   |   |      |      |                                    | MBRZ   | ✓   |
|   |   |      |      |                                    | MB   | ✓   |
|   |   |      |      |                                    |   | <b>ACINT502</b><br>Lock Profile Escutcheon on Round Rose  |
| SB  | ✓   |      |      |                                    |  |   |
| SC  |   |      |      |                                    |  |   |
| SN  | ✓   |      |      |                                    |  |   |
| PB  |   |      |      |                                    |  |   |
| PN  | ✓   |      |      |                                    |  |   |
| PC  |   |      |      |                                    |  |   |
| MBRZ  | ✓   |      |      |                                    |  |   |
| MB  | ✓   |      |      |                                    |  |   |
|   | <b>ACINT503</b><br>Turn & Release on Round Rose | 1    | set  | <b>ACINT501</b>                    |  |   |
|   |   |      |      |                                    | SB   | ✓   |
|   |   |      |      |                                    | SC   |   |
|   |   |      |      |                                    | SN   | ✓   |
|   |   |      |      |                                    | PB   |   |
|   |   |      |      |                                    | PN   | ✓   |
|   |   |      |      |                                    | PC   |   |
|   |   |      |      |                                    | MBRZ   | ✓   |
|   |   |      |      |                                    | MB   | ✓   |
|   |   |      |      |                                    |   | <b>ACINT504</b><br>Lever On Round Rose Handle   |
| SB  |   |      |      |                                    |  |   |
| SC  | ✓   |      |      |                                    |  |   |
| SN  |   |      |      |                                    |  |   |
| PB  |   |      |      |                                    |  |   |
| PN  |   |      |      |                                    |  |   |
| PC  | ✓   |      |      |                                    |  |   |
| MBRZ  |   |      |      |                                    |  |   |
| MB  | ✓   |      |      |                                    |  |   |
|  | <b>ACINT505</b><br>Lever On Round Rose Handle   | 1    | pair | <b>ACINT506</b><br><b>ACINT507</b> |  |   |
|   |   |      |      |                                    | SB   |   |
|   |   |      |      |                                    | SC   | ✓   |
|   |   |      |      |                                    | SN   |   |
|   |   |      |      |                                    | PB   |   |
|   |   |      |      |                                    | PN   |   |
|   |   |      |      |                                    | PC   | ✓   |
|   |   |      |      |                                    | MBRZ   |   |
|   |   |      |      |                                    | MB   | ✓   |
|   |   |      |      |                                    | <br>T-BARS<br>ACVG66=2.5mm<br>ACVG66=3.0mm<br>ACVL150=4.0mm | <br>Screw (Grub) |

ACCESSORIES : PHOTOS & DRAWINGS

| Image   | Part Code   | Pack  | Unit  | Application                        | Colour |   |
|---|---|---|---|------------------------------------|--------|---|
|    | <b>ACINT506</b><br><br>Lock Profile Escutcheon<br>on Round Rose   | 1   | each  | <b>ACINT504</b><br><b>ACINT505</b> | AB     | ✓ |
|   |   |   |   |                                    | SB     |   |
|   |   |   |   |                                    | SC     | ✓ |
|   |   |   |   |                                    | SN     |   |
|   |   |   |   |                                    | PB     |   |
|   |   |   |   |                                    | PN     |   |
|   |   |   |   |                                    | PC     | ✓ |
|   |   |   |   |                                    | MBRZ   |   |
|   |   |   |   |                                    | MB     | ✓ |
|   | <b>ACINT507</b><br><br>Turn & Release on Round Rose   | 1   | set   | <b>ACINT504</b><br><b>ACINT505</b> | AB     | ✓ |
|   |   |   |   |                                    | SB     |   |
|   |   |   |   |                                    | SC     | ✓ |
|   |   |   |   |                                    | SN     |   |
|   |   |   |   |                                    | PB     |   |
|   |   |   |   |                                    | PN     |   |
|   |   |   |   |                                    | PC     | ✓ |
|   |   |   |   |                                    | MBRZ   |   |
|   |   |   |   |                                    | MB     | ✓ |
|   | <b>ACINT521</b><br><br>180x60mm Rectangular<br>Flush Pull Handle<br><br>Finishes: Bright or Satin Stainless Steel           | 1   | each  |                                    | AB     |   |
|   |   |   |   |                                    | SB     |   |
|   |   |   |   |                                    | SC     |   |
|   |   |   |   |                                    | SN     |   |
|   |   |   |   |                                    | PB     |   |
|   |   |   |   |                                    | PN     |   |
|   |   |   |   |                                    | PC     |   |
|   |   |   |   |                                    | MBRZ   |   |
|   |   |   |   |                                    | MB     |   |
|    | <b>ACINT522</b><br><br>Square Mitred Pull Handle<br>(450mm centres)<br><br>Finishes:<br>Matt Black or Satin Stainless Steel | 1   | each  |                                    | AB     |   |
|   |   |   |   |                                    | SB     |   |
|   |   |   |   |                                    | SC     |   |
|   |   |   |   |                                    | SN     |   |
|   |   |   |   |                                    | PB     |   |
|   |   |   |   |                                    | PN     |   |
|   |   |   |   |                                    | PC     |   |
|   |   |   |   |                                    | MBRZ   |   |
|   |   |   |   |                                    | MB     |   |
|   | <b>ACSIN201</b><br><br>Pivot System<br>(Max 100 Kg)   | 1   | each  | <b>INT410</b>                      | AB     |   |
|   |   |   |   |                                    | SB     |   |
|   |   |   |   |                                    | SC     |   |
|   |   |   |   |                                    | SN     |   |
|   |   |   |   |                                    | PB     |   |
|   |   |   |   |                                    | PN     |   |
|   |   |   |   |                                    | PC     |   |
|   |   |   |   |                                    | MBRZ   |   |
|   |   |   |   |                                    | MB     |   |
| <br>T-BARS<br>ACVG65=2.5mm<br>ACVG66=3.0mm<br>ACVL150=4.0mm | <br>Screw (Grub)                         | <b>AB</b> = Antique Brass <b>MBRZ</b> = Matt Bronze<br><b>SB</b> = Satin Brass <b>MB</b> = Matt Black<br><b>SC</b> = Satin Chrome<br><b>SN</b> = Satin Nickel<br><b>PB</b> = Polished Brass<br><b>PN</b> = Polished Nickel<br><b>PC</b> = Polished Chrome |  |                                    |        |   |

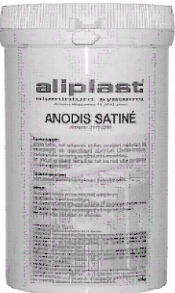
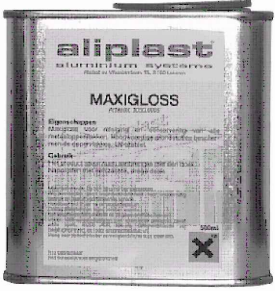

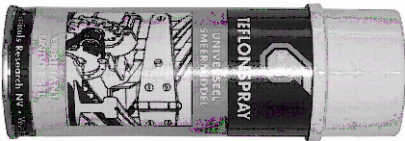



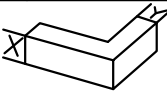
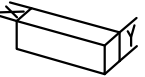
ACCESSORIES : PHOTOS & DRAWINGS

| Image | Part Code   | Pack                                 | Unit | Application                        | Colour |   |
|-------|---|--------------------------------------|------|------------------------------------|--------|---|
|       | <b>ACUG842</b><br><br>6.7mm x 10mm Black Woolpile with Fin  | 50                                   | m    | INT411                             | MF     |   |
|       |   |                                      |      |                                    | SA     |   |
|       |   |                                      |      |                                    | KL     |   |
|       |   |                                      |      |                                    | HP     |   |
|       |   |                                      |      |                                    | SSC    |   |
|       |   |                                      |      |                                    | SMC    |   |
|       |   |                                      |      |                                    | W      |   |
|       |   |                                      |      |                                    | Z      | ✓ |
|       |   |                                      |      |                                    | PC     |   |
|       | <b>ACUN3545</b><br><br>M8 x 12 mm Hexagonal Head Setscrew   | 100                                  | pack | ACUN3546                           | MF     |   |
|       |   |                                      |      |                                    | SA     |   |
|       |   |                                      |      |                                    | KL     |   |
|       |   |                                      |      |                                    | HP     |   |
|       |   |                                      |      |                                    | SSC    |   |
|       |   |                                      |      |                                    | SMC    |   |
|       |   |                                      |      |                                    | W      |   |
|       |   |                                      |      |                                    | Z      |   |
|       |   |                                      |      |                                    | PC     |   |
|       | <b>ACUN3546</b><br><br>M8 Hexagonal Lock Thin Nut   | 100                                  | pack | ACUN3545                           | MF     |   |
|       |   |                                      |      |                                    | SA     |   |
|       |   |                                      |      |                                    | KL     |   |
|       |   |                                      |      |                                    | HP     |   |
|       |   |                                      |      |                                    | SSC    |   |
|       |   |                                      |      |                                    | SMC    |   |
|       |   |                                      |      |                                    | W      |   |
|       |   |                                      |      |                                    | Z      |   |
|       |   |                                      |      |                                    | PC     |   |
|       | <b>ACUN3547</b><br><br>M4 Connecting Screws   | 100                                  | pack | <b>ACINT230</b><br><b>ACINT232</b> | MF     |   |
|       |   |                                      |      |                                    | SA     |   |
|       |   |                                      |      |                                    | KL     |   |
|       |   |                                      |      |                                    | HP     |   |
|       |   |                                      |      |                                    | SSC    |   |
|       |   |                                      |      |                                    | SMC    |   |
|       |   |                                      |      |                                    | W      |   |
|       |   |                                      |      |                                    | Z      |   |
|       |   |                                      |      |                                    | PC     |   |
|       | <b>ACUN3551</b><br><br>M4 Connecting Screws   | 100                                  | pack | ACINT430                           | MF     |   |
|       |   |                                      |      |                                    | SA     |   |
|       |   |                                      |      |                                    | KL     |   |
|       |   |                                      |      |                                    | HP     |   |
|       |   |                                      |      |                                    | SSC    |   |
|       |   |                                      |      |                                    | SMC    |   |
|       |   |                                      |      |                                    | W      |   |
|       |   |                                      |      |                                    | Z      |   |
|       |   |                                      |      |                                    | PC     |   |
|       | <b>MF</b> = Mill Finish<br><b>SA</b> = Silver Anodised<br><b>KL</b> = Basic Colour<br><b>HP</b> = Special Colour<br><b>SSC</b> = Smooth Satin Chrome<br><b>SMC</b> = Smokey Chrome<br><b>PC</b> = Polished Chrome | <b>W</b> = White<br><b>Z</b> = Black |      |                                    |        |   |

ACCESSORIES : PHOTOS & DRAWINGS

| Image | Part Code   | Pack                                 | Unit | Application                                     | Colour   |
|-------|---|--------------------------------------|------|---|--|
|       | <b>ACVS033</b><br>4.8mm x 9mm Black Woolpile with Fin   | 150                                  | m    | <b>INT274</b><br><b>INT275</b>                  | MF<br>SA<br>KL<br>HP<br>SSC<br>SMC<br>W<br>Z ✓<br>PC |
|       | <b>ACVS034</b><br>4.8mm x 6.5mm Black Woolpile with Fin   | 150                                  | m    | <b>INT320</b><br><b>INT322</b><br><b>INT323</b> | MF<br>SA<br>KL<br>HP<br>SSC<br>SMC<br>W<br>Z ✓<br>PC |
|       | <b>ACW20024</b><br>Stainless Steel Chevron  | 100                                  | pack | <b>INT220</b>                                   | MF ✓<br>SA<br>KL<br>HP<br>SSC<br>SMC<br>W<br>Z<br>PC |
|       |   |                                      |      |   | MF<br>SA<br>KL<br>HP<br>SSC<br>SMC<br>W<br>Z<br>PC   |
|       |   |                                      |      |   | MF<br>SA<br>KL<br>HP<br>SSC<br>SMC<br>W<br>Z<br>PC   |
|       | <b>MF</b> = Mill Finish<br><b>SA</b> = Silver Anodised<br><b>KL</b> = Basic Colour<br><b>HP</b> = Special Colour<br><b>SSC</b> = Smooth Satin Chrome<br><b>SMC</b> = Smokey Chrome<br><b>PC</b> = Polished Chrome | <b>W</b> = White<br><b>Z</b> = Black |      |   |  |

STANDARD ACCESSORIES

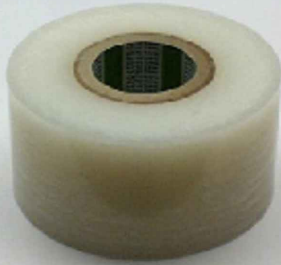







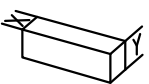
| Image  | Part Code   | Pack  | Unit                                 | Application  | Colour |   |
|--|---|---|--------------------------------------|--|--------|---|
|  |   |   |                                      |  |        |   |
|   | <b>ACMX09700</b><br><br><b>Alu-Polish</b><br><br><b>Cleaning emulsion for aluminium oxide.</b>                      | 1   | each                                 |  | MF     | ✓ |
|  |   |   |                                      |  | SA     |   |
|  |   |   |                                      |  | KL     |   |
|  |   |   |                                      |  | HP     |   |
|  |   |   |                                      |  | SSC    |   |
|  |   |   |                                      |  | SMC    |   |
|  |   |   |                                      |  | W      |   |
|  |   |   |                                      |  | Z      |   |
|  |   |   |                                      |  | PC     |   |
|   | <b>ACMX09761</b><br><br><b>Maxi Gloss</b><br><br><b>Protection for painted and anodised surfaces.</b>               | 1   | each                                 |  | MF     |   |
|  |   |   |                                      |  | SA     |   |
|  |   |   |                                      |  | KL     |   |
|  |   |   |                                      |  | HP     |   |
|  |   |   |                                      |  | SSC    |   |
|  |   |   |                                      |  | SMC    |   |
|  |   |   |                                      |  | W      |   |
|  |   |   |                                      |  | Z      |   |
|  |   |   |                                      |  | PC     |   |
|   | <b>ACMX09762</b><br><br><b>Alu. Bright</b><br><br><b>Cleaner for rough, anodised or enamelled aluminium frames.</b> | 1   | each                                 |  | MF     |   |
|  |   |   |                                      |  | SA     |   |
|  |   |   |                                      |  | KL     |   |
|  |   |   |                                      |  | HP     |   |
|  |   |   |                                      |  | SSC    |   |
|  |   |   |                                      |  | SMC    |   |
|  |   |   |                                      |  | W      |   |
|  |   |   |                                      |  | Z      |   |
|  |   |   |                                      |  | PC     |   |
|   | <b>ACMX09763</b><br><br><b>Teflon Spray</b><br><br><b>Lubricant</b>   | 1   | each                                 |  | MF     |   |
|  |   |   |                                      |  | SA     |   |
|  |   |   |                                      |  | KL     |   |
|  |   |   |                                      |  | HP     |   |
|  |   |   |                                      |  | SSC    |   |
|  |   |   |                                      |  | SMC    |   |
|  |   |   |                                      |  | W      |   |
|  |   |   |                                      |  | Z      |   |
|  |   |   |                                      |  | PC     |   |
|   | <b>ACMX09764</b><br><br><b>Maxi Cleaner</b><br><br><b>For cleaning oily surfaces.</b>                               | 1   | each                                 |  | MF     |   |
|  |   |   |                                      |  | SA     |   |
|  |   |   |                                      |  | KL     |   |
|  |   |   |                                      |  | HP     |   |
|  |   |   |                                      |  | SSC    |   |
|  |   |   |                                      |  | SMC    |   |
|  |   |   |                                      |  | W      |   |
|  |   |   |                                      |  | Z      |   |
|  |   |   |                                      |  | PC     |   |
| <br>T-BARS<br>ACVG65=2.5mm<br>ACVG66=3.0mm<br>ACVL150=4.0mm | <br>Screw (Grub)                 | <b>MF = Mill Finish</b><br><b>SA = Silver Anodised</b><br><b>KL = Basic Colour</b><br><b>HP = Special Colour</b><br><b>SSC = Smooth Satin Chrome</b><br><b>SMC = Smokey Chrome</b><br><b>PC = Polished Chrome</b> | <b>W = White</b><br><b>Z = Black</b> | <br> |        |   |




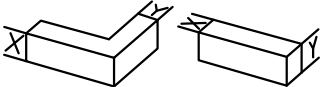
STANDARD ACCESSORIES

| Image   | Part Code  | Pack  | Unit                                 | Application   | Colour |  |
|---|--|---|--------------------------------------|---|--------|--|
|   |  |   |                                      |   |        |  |
|    | <b>ACMX09765</b><br><br><b>Glue Cleaner</b><br><br><b>De-grease and silicone remover (1 Litre).</b>                | 1   | each                                 |   | MF     |  |
|   |  |   |                                      |   | SA     |  |
|   |  |   |                                      |   | KL     |  |
|   |  |   |                                      |   | HP     |  |
|   |  |   |                                      |   | SSC    |  |
|   |  |   |                                      |   | SMC    |  |
|   |  |   |                                      |   | W      |  |
|   |  |   |                                      |   | Z      |  |
|   |  |   |                                      |   | PC     |  |
|    | <b>ACMX09770</b><br><br><b>Roll &amp; Wrap 100mm</b>   | 1   | each                                 |   | MF     |  |
|   |  |   |                                      |   | SA     |  |
|   |  |   |                                      |   | KL     |  |
|   |  |   |                                      |   | HP     |  |
|   |  |   |                                      |   | SSC    |  |
|   |  |   |                                      |   | SMC    |  |
|   |  |   |                                      |   | W      |  |
|   |  |   |                                      |   | Z      |  |
|   |  |   |                                      |   | PC     |  |
|    | <b>ACMX09775</b><br><br><b>Grip Handwrap</b>   | 1   | each                                 |   | MF     |  |
|   |  |   |                                      |   | SA     |  |
|   |  |   |                                      |   | KL     |  |
|   |  |   |                                      |   | HP     |  |
|   |  |   |                                      |   | SSC    |  |
|   |  |   |                                      |   | SMC    |  |
|   |  |   |                                      |   | W      |  |
|   |  |   |                                      |   | Z      |  |
|   |  |   |                                      |   | PC     |  |
|    | <b>ACMX09801</b><br><br><b>Protective Tape 50mm</b>  | 1   | each                                 |   | MF     |  |
|   |  |   |                                      |   | SA     |  |
|   |  |   |                                      |   | KL     |  |
|   |  |   |                                      |   | HP     |  |
|   |  |   |                                      |   | SSC    |  |
|   |  |   |                                      |   | SMC    |  |
|   |  |   |                                      |   | W      |  |
|   |  |   |                                      |   | Z      |  |
|   |  |   |                                      |   | PC     |  |
|    | <b>ACMX09802</b><br><br><b>Protective Tape 70mm</b>  | 1   | each                                 |   | MF     |  |
|   |  |   |                                      |   | SA     |  |
|   |  |   |                                      |   | KL     |  |
|   |  |   |                                      |   | HP     |  |
|   |  |   |                                      |   | SSC    |  |
|   |  |   |                                      |   | SMC    |  |
|   |  |   |                                      |   | W      |  |
|   |  |   |                                      |   | Z      |  |
|   |  |   |                                      |   | PC     |  |
| <br><small>T-BARS<br/>ACVG65=2.5mm<br/>ACVG66=3.0mm<br/>ACVL150=4.0mm</small> | <br><small>Screw (Grub)</small> | <b>MF</b> = Mill Finish<br><b>SA</b> = Silver Anodised<br><b>KL</b> = Basic Colour<br><b>HP</b> = Special Colour<br><b>SSC</b> = Smooth Satin Chrome<br><b>SMC</b> = Smokey Chrome<br><b>PC</b> = Polished Chrome | <b>W</b> = White<br><b>Z</b> = Black |   |        |  |



STANDARD ACCESSORIES

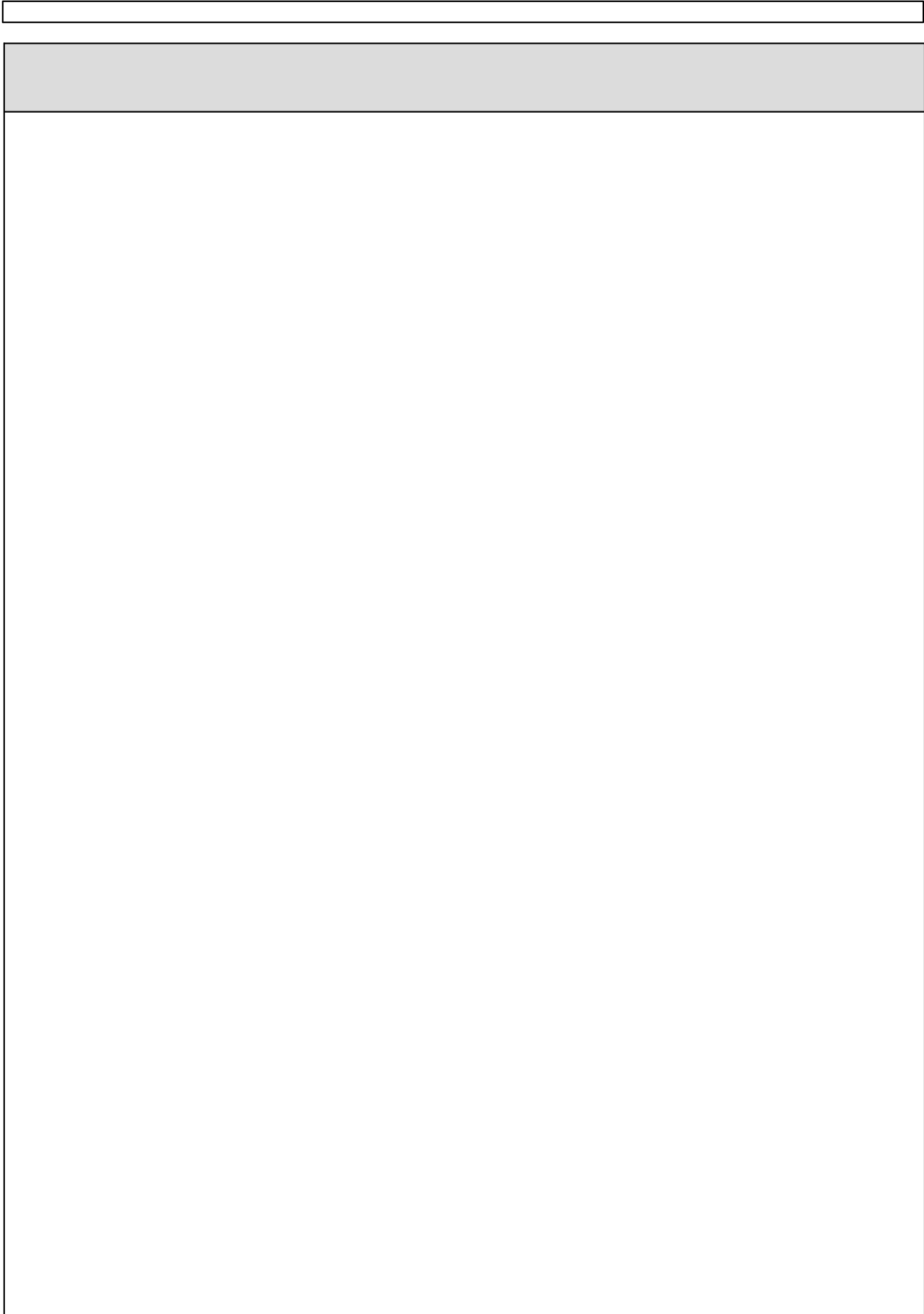
| Image   | Part Code   | Pack     | Unit        | Application   | Colour   |    |  |    |  |    |   |    |  |     |  |     |  |   |   |   |   |    |  |
|---|---|----------|-------------|---|--|----|--|----|--|----|---|----|--|-----|--|-----|--|---|---|---|---|----|--|
|    | <b>ACMX09803</b><br><b>Protective Tape 100mm</b>  | <b>1</b> | <b>each</b> |   | <table border="1"> <tr><td>MF</td><td></td></tr> <tr><td>SA</td><td></td></tr> <tr><td>KL</td><td></td></tr> <tr><td>HP</td><td></td></tr> <tr><td>SSC</td><td></td></tr> <tr><td>SMC</td><td></td></tr> <tr><td>W</td><td></td></tr> <tr><td>Z</td><td></td></tr> <tr><td>PC</td><td></td></tr> </table>    | MF |  | SA |  | KL |   | HP |  | SSC |  | SMC |  | W |   | Z |   | PC |  |
| MF  |   |          |             |   |  |    |  |    |  |    |   |    |  |     |  |     |  |   |   |   |   |    |  |
| SA  |   |          |             |   |  |    |  |    |  |    |   |    |  |     |  |     |  |   |   |   |   |    |  |
| KL  |   |          |             |   |  |    |  |    |  |    |   |    |  |     |  |     |  |   |   |   |   |    |  |
| HP  |   |          |             |   |  |    |  |    |  |    |   |    |  |     |  |     |  |   |   |   |   |    |  |
| SSC   |   |          |             |   |  |    |  |    |  |    |   |    |  |     |  |     |  |   |   |   |   |    |  |
| SMC   |   |          |             |   |  |    |  |    |  |    |   |    |  |     |  |     |  |   |   |   |   |    |  |
| W   |   |          |             |   |  |    |  |    |  |    |   |    |  |     |  |     |  |   |   |   |   |    |  |
| Z   |   |          |             |   |  |    |  |    |  |    |   |    |  |     |  |     |  |   |   |   |   |    |  |
| PC  |   |          |             |   |  |    |  |    |  |    |   |    |  |     |  |     |  |   |   |   |   |    |  |
|    | <b>ACSIL05</b><br><b>Rubber Sealant</b>   | <b>1</b> | <b>each</b> |   | <table border="1"> <tr><td>MF</td><td></td></tr> <tr><td>SA</td><td></td></tr> <tr><td>KL</td><td></td></tr> <tr><td>HP</td><td></td></tr> <tr><td>SSC</td><td></td></tr> <tr><td>SMC</td><td></td></tr> <tr><td>W</td><td></td></tr> <tr><td>Z</td><td></td></tr> <tr><td>PC</td><td></td></tr> </table>    | MF |  | SA |  | KL |   | HP |  | SSC |  | SMC |  | W |   | Z |   | PC |  |
| MF  |   |          |             |   |  |    |  |    |  |    |   |    |  |     |  |     |  |   |   |   |   |    |  |
| SA  |   |          |             |   |  |    |  |    |  |    |   |    |  |     |  |     |  |   |   |   |   |    |  |
| KL  |   |          |             |   |  |    |  |    |  |    |   |    |  |     |  |     |  |   |   |   |   |    |  |
| HP  |   |          |             |   |  |    |  |    |  |    |   |    |  |     |  |     |  |   |   |   |   |    |  |
| SSC   |   |          |             |   |  |    |  |    |  |    |   |    |  |     |  |     |  |   |   |   |   |    |  |
| SMC   |   |          |             |   |  |    |  |    |  |    |   |    |  |     |  |     |  |   |   |   |   |    |  |
| W   |   |          |             |   |  |    |  |    |  |    |   |    |  |     |  |     |  |   |   |   |   |    |  |
| Z   |   |          |             |   |  |    |  |    |  |    |   |    |  |     |  |     |  |   |   |   |   |    |  |
| PC  |   |          |             |   |  |    |  |    |  |    |   |    |  |     |  |     |  |   |   |   |   |    |  |
|    | <b>ACSIL04</b><br><b>Sealing Glue</b><br>Order with suffix of KL<br>colour (eg.ACSIL04KL005)<br>or BL=Black/WP=White/<br>CL=Clear   | <b>1</b> | <b>each</b> |   | <table border="1"> <tr><td>MF</td><td></td></tr> <tr><td>SA</td><td></td></tr> <tr><td>KL</td><td>✓</td></tr> <tr><td>HP</td><td></td></tr> <tr><td>SSC</td><td></td></tr> <tr><td>SMC</td><td></td></tr> <tr><td>W</td><td>✓</td></tr> <tr><td>Z</td><td>✓</td></tr> <tr><td>PC</td><td></td></tr> </table> | MF |  | SA |  | KL | ✓ | HP |  | SSC |  | SMC |  | W | ✓ | Z | ✓ | PC |  |
| MF  |   |          |             |   |  |    |  |    |  |    |   |    |  |     |  |     |  |   |   |   |   |    |  |
| SA  |   |          |             |   |  |    |  |    |  |    |   |    |  |     |  |     |  |   |   |   |   |    |  |
| KL  | ✓   |          |             |   |  |    |  |    |  |    |   |    |  |     |  |     |  |   |   |   |   |    |  |
| HP  |   |          |             |   |  |    |  |    |  |    |   |    |  |     |  |     |  |   |   |   |   |    |  |
| SSC   |   |          |             |   |  |    |  |    |  |    |   |    |  |     |  |     |  |   |   |   |   |    |  |
| SMC   |   |          |             |   |  |    |  |    |  |    |   |    |  |     |  |     |  |   |   |   |   |    |  |
| W   | ✓   |          |             |   |  |    |  |    |  |    |   |    |  |     |  |     |  |   |   |   |   |    |  |
| Z   | ✓   |          |             |   |  |    |  |    |  |    |   |    |  |     |  |     |  |   |   |   |   |    |  |
| PC  |   |          |             |   |  |    |  |    |  |    |   |    |  |     |  |     |  |   |   |   |   |    |  |
|    | <b>ACSIL08</b><br><b>Silicon Gun</b>  | <b>1</b> | <b>each</b> |   | <table border="1"> <tr><td>MF</td><td></td></tr> <tr><td>SA</td><td></td></tr> <tr><td>KL</td><td></td></tr> <tr><td>HP</td><td></td></tr> <tr><td>SSC</td><td></td></tr> <tr><td>SMC</td><td></td></tr> <tr><td>W</td><td></td></tr> <tr><td>Z</td><td></td></tr> <tr><td>PC</td><td></td></tr> </table>    | MF |  | SA |  | KL |   | HP |  | SSC |  | SMC |  | W |   | Z |   | PC |  |
| MF  |   |          |             |   |  |    |  |    |  |    |   |    |  |     |  |     |  |   |   |   |   |    |  |
| SA  |   |          |             |   |  |    |  |    |  |    |   |    |  |     |  |     |  |   |   |   |   |    |  |
| KL  |   |          |             |   |  |    |  |    |  |    |   |    |  |     |  |     |  |   |   |   |   |    |  |
| HP  |   |          |             |   |  |    |  |    |  |    |   |    |  |     |  |     |  |   |   |   |   |    |  |
| SSC   |   |          |             |   |  |    |  |    |  |    |   |    |  |     |  |     |  |   |   |   |   |    |  |
| SMC   |   |          |             |   |  |    |  |    |  |    |   |    |  |     |  |     |  |   |   |   |   |    |  |
| W   |   |          |             |   |  |    |  |    |  |    |   |    |  |     |  |     |  |   |   |   |   |    |  |
| Z   |   |          |             |   |  |    |  |    |  |    |   |    |  |     |  |     |  |   |   |   |   |    |  |
| PC  |   |          |             |   |  |    |  |    |  |    |   |    |  |     |  |     |  |   |   |   |   |    |  |
|    | <b>ACSIL013</b><br><b>Glue for Mitre</b>  | <b>1</b> | <b>each</b> |   | <table border="1"> <tr><td>MF</td><td></td></tr> <tr><td>SA</td><td></td></tr> <tr><td>KL</td><td></td></tr> <tr><td>HP</td><td></td></tr> <tr><td>SSC</td><td></td></tr> <tr><td>SMC</td><td></td></tr> <tr><td>W</td><td></td></tr> <tr><td>Z</td><td></td></tr> <tr><td>PC</td><td></td></tr> </table>    | MF |  | SA |  | KL |   | HP |  | SSC |  | SMC |  | W |   | Z |   | PC |  |
| MF  |   |          |             |   |  |    |  |    |  |    |   |    |  |     |  |     |  |   |   |   |   |    |  |
| SA  |   |          |             |   |  |    |  |    |  |    |   |    |  |     |  |     |  |   |   |   |   |    |  |
| KL  |   |          |             |   |  |    |  |    |  |    |   |    |  |     |  |     |  |   |   |   |   |    |  |
| HP  |   |          |             |   |  |    |  |    |  |    |   |    |  |     |  |     |  |   |   |   |   |    |  |
| SSC   |   |          |             |   |  |    |  |    |  |    |   |    |  |     |  |     |  |   |   |   |   |    |  |
| SMC   |   |          |             |   |  |    |  |    |  |    |   |    |  |     |  |     |  |   |   |   |   |    |  |
| W   |   |          |             |   |  |    |  |    |  |    |   |    |  |     |  |     |  |   |   |   |   |    |  |
| Z   |   |          |             |   |  |    |  |    |  |    |   |    |  |     |  |     |  |   |   |   |   |    |  |
| PC  |   |          |             |   |  |    |  |    |  |    |   |    |  |     |  |     |  |   |   |   |   |    |  |
|  <p>T-BARS<br/>ACV665=2.5mm<br/>ACV666=3.0mm<br/>ACVL150=4.0mm</p>  <p>Screw (Grub)</p> | <p><b>MF</b> = Mill Finish<br/><b>SA</b> = Silver Anodised<br/><b>KL</b> = Basic Colour<br/><b>HP</b> = Special Colour<br/><b>SSC</b> = Smooth Satin Chrome<br/><b>SMC</b> = Smokey Chrome<br/><b>PC</b> = Polished Chrome</p> <p><b>W</b> = White<br/><b>Z</b> = Black</p> |          |             |   |  |    |  |    |  |    |   |    |  |     |  |     |  |   |   |   |   |    |  |

|  |   |                                |   |                             |  |    |   |    |  |    |  |    |  |     |  |     |  |   |  |   |  |    |  |
|--|---|--------------------------------|---|-----------------------------|--|----|---|----|--|----|--|----|--|-----|--|-----|--|---|--|---|--|----|--|
|   | <p><b>ACSIL014</b><br/><b>Anti-Corrosion Coating</b></p>  | <p><b>1</b></p>                | <p><b>each</b></p>  |                             | <table border="1"> <tr><td>MF</td><td>✓</td></tr> <tr><td>SA</td><td></td></tr> <tr><td>KL</td><td></td></tr> <tr><td>HP</td><td></td></tr> <tr><td>SSC</td><td></td></tr> <tr><td>SMC</td><td></td></tr> <tr><td>W</td><td></td></tr> <tr><td>Z</td><td></td></tr> <tr><td>PC</td><td></td></tr> </table> | MF | ✓ | SA |  | KL |  | HP |  | SSC |  | SMC |  | W |  | Z |  | PC |  |
| MF   | ✓   |                                |   |                             |  |    |   |    |  |    |  |    |  |     |  |     |  |   |  |   |  |    |  |
| SA   |   |                                |   |                             |  |    |   |    |  |    |  |    |  |     |  |     |  |   |  |   |  |    |  |
| KL   |   |                                |   |                             |  |    |   |    |  |    |  |    |  |     |  |     |  |   |  |   |  |    |  |
| HP   |   |                                |   |                             |  |    |   |    |  |    |  |    |  |     |  |     |  |   |  |   |  |    |  |
| SSC  |   |                                |   |                             |  |    |   |    |  |    |  |    |  |     |  |     |  |   |  |   |  |    |  |
| SMC  |   |                                |   |                             |  |    |   |    |  |    |  |    |  |     |  |     |  |   |  |   |  |    |  |
| W  |   |                                |   |                             |  |    |   |    |  |    |  |    |  |     |  |     |  |   |  |   |  |    |  |
| Z  |   |                                |   |                             |  |    |   |    |  |    |  |    |  |     |  |     |  |   |  |   |  |    |  |
| PC   |   |                                |   |                             |  |    |   |    |  |    |  |    |  |     |  |     |  |   |  |   |  |    |  |
|   | <p><b>ACUN3900</b><br/><b>Gasket Roller</b></p>   | <p><b>1</b></p>                | <p><b>Each</b></p>  | <p><b>Wedge Gaskets</b></p> | <table border="1"> <tr><td>MF</td><td></td></tr> <tr><td>SA</td><td></td></tr> <tr><td>KL</td><td></td></tr> <tr><td>HP</td><td></td></tr> <tr><td>SSC</td><td></td></tr> <tr><td>SMC</td><td></td></tr> <tr><td>W</td><td></td></tr> <tr><td>Z</td><td></td></tr> <tr><td>PC</td><td></td></tr> </table>  | MF |   | SA |  | KL |  | HP |  | SSC |  | SMC |  | W |  | Z |  | PC |  |
| MF   |   |                                |   |                             |  |    |   |    |  |    |  |    |  |     |  |     |  |   |  |   |  |    |  |
| SA   |   |                                |   |                             |  |    |   |    |  |    |  |    |  |     |  |     |  |   |  |   |  |    |  |
| KL   |   |                                |   |                             |  |    |   |    |  |    |  |    |  |     |  |     |  |   |  |   |  |    |  |
| HP   |   |                                |   |                             |  |    |   |    |  |    |  |    |  |     |  |     |  |   |  |   |  |    |  |
| SSC  |   |                                |   |                             |  |    |   |    |  |    |  |    |  |     |  |     |  |   |  |   |  |    |  |
| SMC  |   |                                |   |                             |  |    |   |    |  |    |  |    |  |     |  |     |  |   |  |   |  |    |  |
| W  |   |                                |   |                             |  |    |   |    |  |    |  |    |  |     |  |     |  |   |  |   |  |    |  |
| Z  |   |                                |   |                             |  |    |   |    |  |    |  |    |  |     |  |     |  |   |  |   |  |    |  |
| PC   |   |                                |   |                             |  |    |   |    |  |    |  |    |  |     |  |     |  |   |  |   |  |    |  |
|  |   |                                |   |                             | <table border="1"> <tr><td>MF</td><td></td></tr> <tr><td>SA</td><td></td></tr> <tr><td>KL</td><td></td></tr> <tr><td>HP</td><td></td></tr> <tr><td>SSC</td><td></td></tr> <tr><td>SMC</td><td></td></tr> <tr><td>W</td><td></td></tr> <tr><td>Z</td><td></td></tr> <tr><td>PC</td><td></td></tr> </table>  | MF |   | SA |  | KL |  | HP |  | SSC |  | SMC |  | W |  | Z |  | PC |  |
| MF   |   |                                |   |                             |  |    |   |    |  |    |  |    |  |     |  |     |  |   |  |   |  |    |  |
| SA   |   |                                |   |                             |  |    |   |    |  |    |  |    |  |     |  |     |  |   |  |   |  |    |  |
| KL   |   |                                |   |                             |  |    |   |    |  |    |  |    |  |     |  |     |  |   |  |   |  |    |  |
| HP   |   |                                |   |                             |  |    |   |    |  |    |  |    |  |     |  |     |  |   |  |   |  |    |  |
| SSC  |   |                                |   |                             |  |    |   |    |  |    |  |    |  |     |  |     |  |   |  |   |  |    |  |
| SMC  |   |                                |   |                             |  |    |   |    |  |    |  |    |  |     |  |     |  |   |  |   |  |    |  |
| W  |   |                                |   |                             |  |    |   |    |  |    |  |    |  |     |  |     |  |   |  |   |  |    |  |
| Z  |   |                                |   |                             |  |    |   |    |  |    |  |    |  |     |  |     |  |   |  |   |  |    |  |
| PC   |   |                                |   |                             |  |    |   |    |  |    |  |    |  |     |  |     |  |   |  |   |  |    |  |
|  |   |                                |   |                             | <table border="1"> <tr><td>MF</td><td></td></tr> <tr><td>SA</td><td></td></tr> <tr><td>KL</td><td></td></tr> <tr><td>HP</td><td></td></tr> <tr><td>SSC</td><td></td></tr> <tr><td>SMC</td><td></td></tr> <tr><td>W</td><td></td></tr> <tr><td>Z</td><td></td></tr> <tr><td>PC</td><td></td></tr> </table>  | MF |   | SA |  | KL |  | HP |  | SSC |  | SMC |  | W |  | Z |  | PC |  |
| MF   |   |                                |   |                             |  |    |   |    |  |    |  |    |  |     |  |     |  |   |  |   |  |    |  |
| SA   |   |                                |   |                             |  |    |   |    |  |    |  |    |  |     |  |     |  |   |  |   |  |    |  |
| KL   |   |                                |   |                             |  |    |   |    |  |    |  |    |  |     |  |     |  |   |  |   |  |    |  |
| HP   |   |                                |   |                             |  |    |   |    |  |    |  |    |  |     |  |     |  |   |  |   |  |    |  |
| SSC  |   |                                |   |                             |  |    |   |    |  |    |  |    |  |     |  |     |  |   |  |   |  |    |  |
| SMC  |   |                                |   |                             |  |    |   |    |  |    |  |    |  |     |  |     |  |   |  |   |  |    |  |
| W  |   |                                |   |                             |  |    |   |    |  |    |  |    |  |     |  |     |  |   |  |   |  |    |  |
| Z  |   |                                |   |                             |  |    |   |    |  |    |  |    |  |     |  |     |  |   |  |   |  |    |  |
| PC   |   |                                |   |                             |  |    |   |    |  |    |  |    |  |     |  |     |  |   |  |   |  |    |  |
|  |   |                                |   |                             | <table border="1"> <tr><td>MF</td><td></td></tr> <tr><td>SA</td><td></td></tr> <tr><td>KL</td><td></td></tr> <tr><td>HP</td><td></td></tr> <tr><td>SSC</td><td></td></tr> <tr><td>SMC</td><td></td></tr> <tr><td>W</td><td></td></tr> <tr><td>Z</td><td></td></tr> <tr><td>PC</td><td></td></tr> </table>  | MF |   | SA |  | KL |  | HP |  | SSC |  | SMC |  | W |  | Z |  | PC |  |
| MF   |   |                                |   |                             |  |    |   |    |  |    |  |    |  |     |  |     |  |   |  |   |  |    |  |
| SA   |   |                                |   |                             |  |    |   |    |  |    |  |    |  |     |  |     |  |   |  |   |  |    |  |
| KL   |   |                                |   |                             |  |    |   |    |  |    |  |    |  |     |  |     |  |   |  |   |  |    |  |
| HP   |   |                                |   |                             |  |    |   |    |  |    |  |    |  |     |  |     |  |   |  |   |  |    |  |
| SSC  |   |                                |   |                             |  |    |   |    |  |    |  |    |  |     |  |     |  |   |  |   |  |    |  |
| SMC  |   |                                |   |                             |  |    |   |    |  |    |  |    |  |     |  |     |  |   |  |   |  |    |  |
| W  |   |                                |   |                             |  |    |   |    |  |    |  |    |  |     |  |     |  |   |  |   |  |    |  |
| Z  |   |                                |   |                             |  |    |   |    |  |    |  |    |  |     |  |     |  |   |  |   |  |    |  |
| PC   |   |                                |   |                             |  |    |   |    |  |    |  |    |  |     |  |     |  |   |  |   |  |    |  |
|  <p>T-BARS<br/>ACVG65=2.5mm<br/>ACVG66=3.0mm<br/>ACVL150=4.0mm</p> | <p>MF = Mill Finish<br/>SA = Silver Anodised<br/>KL = Basic Colour<br/>HP = Special Colour<br/>SSC = Smooth Satin Chrome<br/>SMC = Smokey Chrome<br/>PC = Polished Chrome</p> | <p>W = White<br/>Z = Black</p> |  |                             |  |    |   |    |  |    |  |    |  |     |  |     |  |   |  |   |  |    |  |
|  |   |                                |   |                             |  |    |   |    |  |    |  |    |  |     |  |     |  |   |  |   |  |    |  |

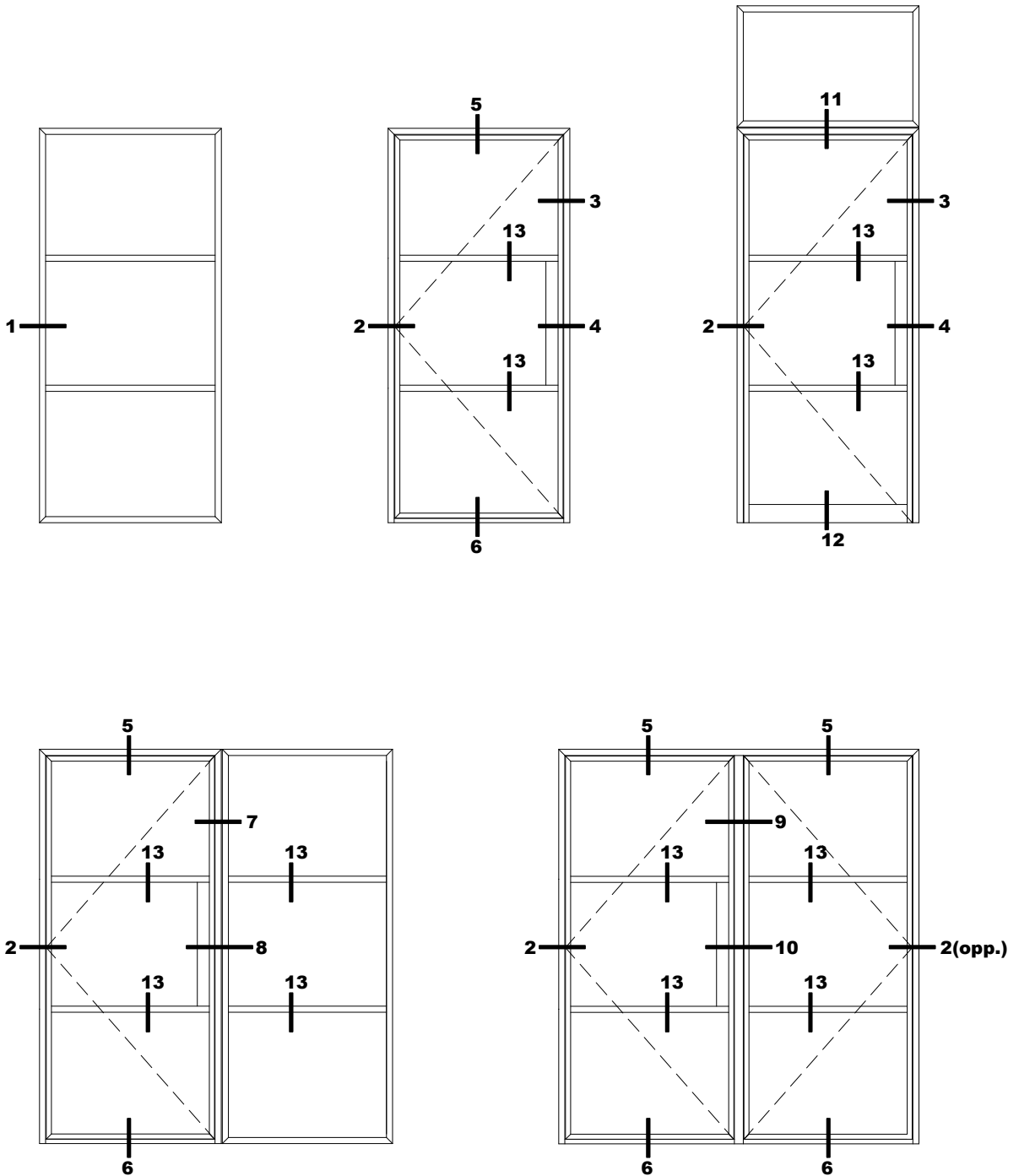
**Section C**

**Sections**

**Scale Elevations**

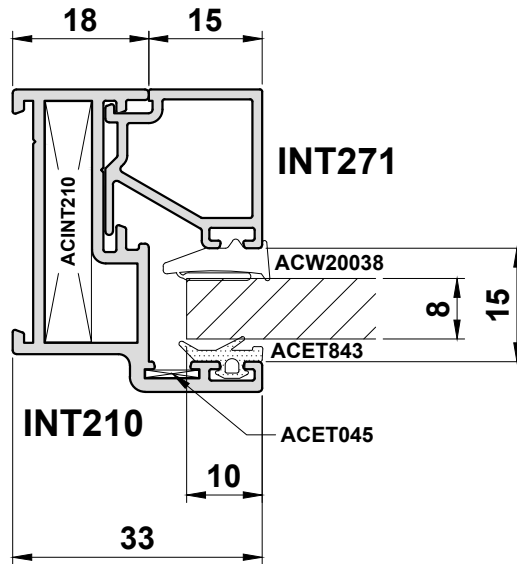
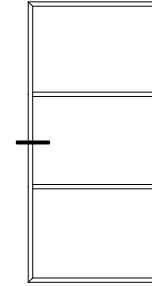


**Open In - Swing Door**



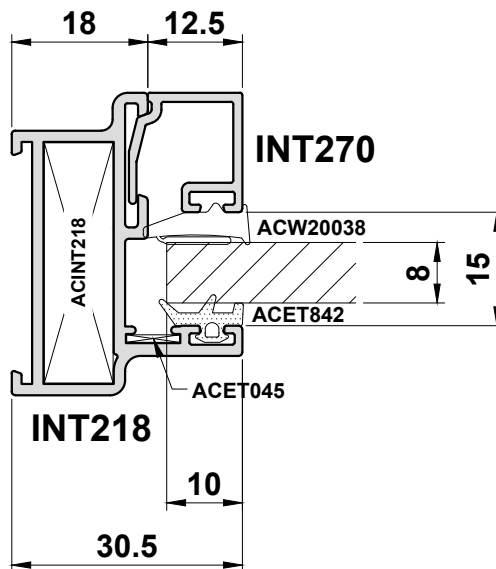
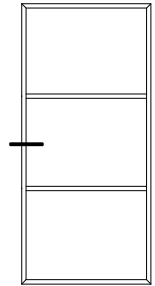
**Do Not Scale From This Drawing**

## Detail 1A



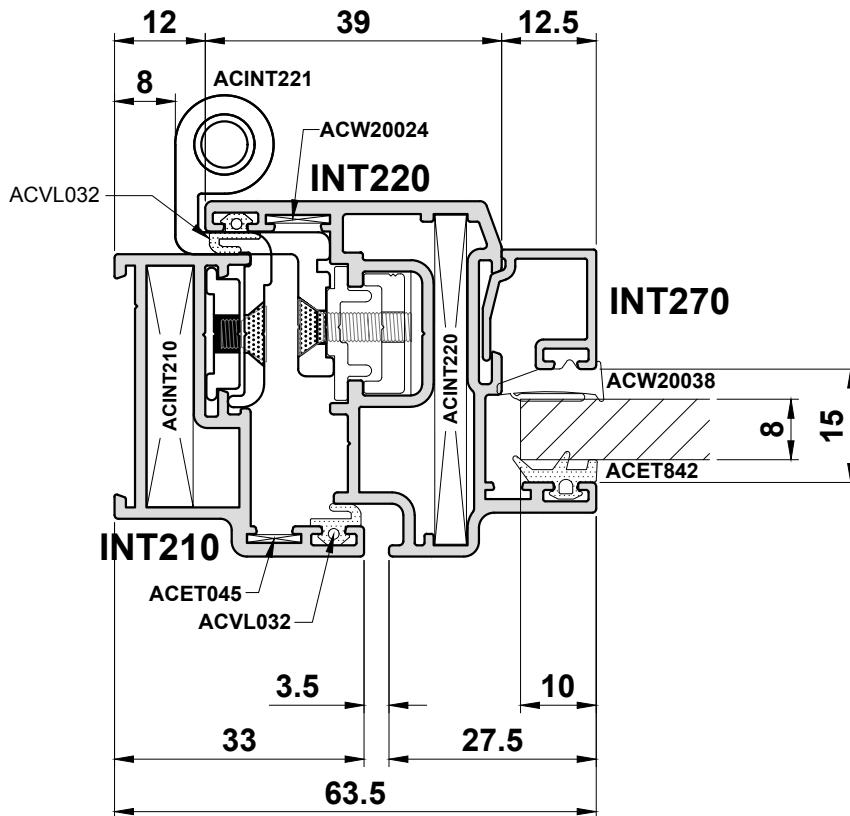
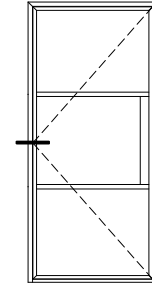
Do Not Scale From This Drawing

## Detail 1B



Do Not Scale From This Drawing

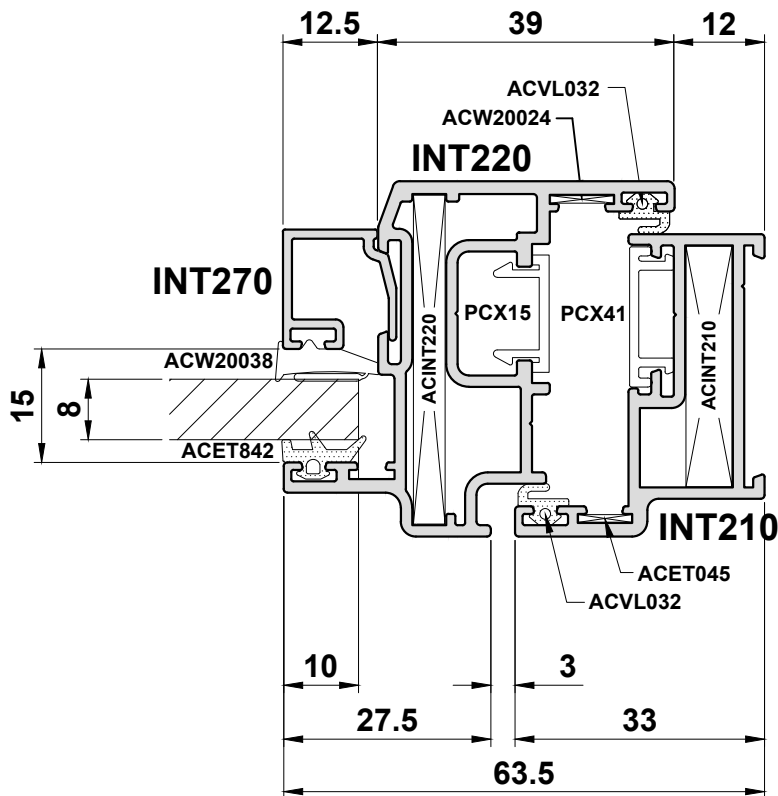
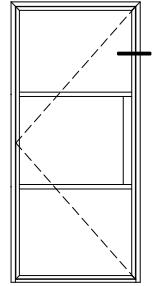
**Detail 2**



**Do Not Scale From This Drawing**

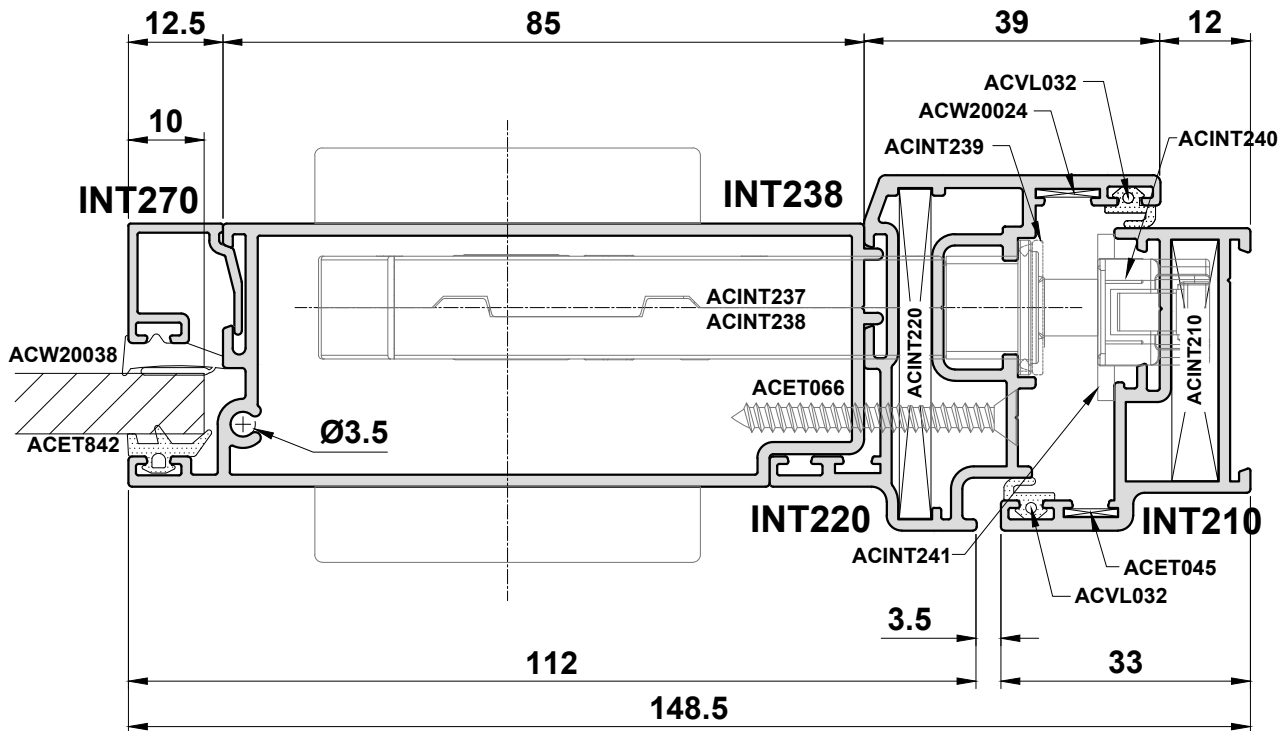
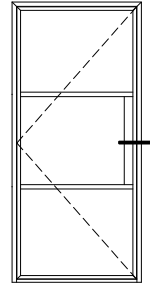


**Detail 3**



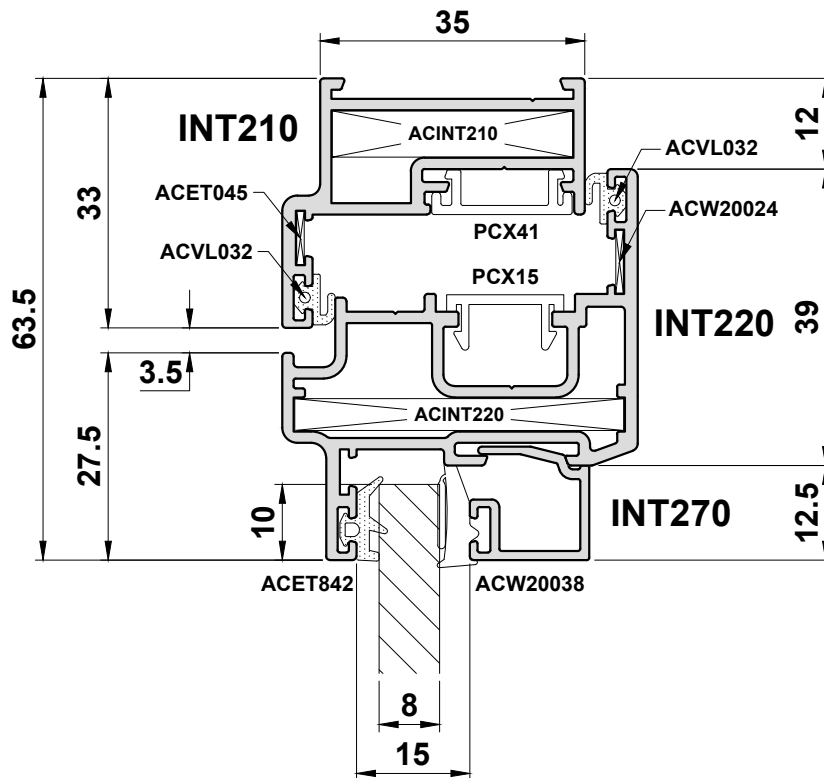
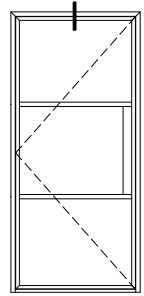
**Do Not Scale From This Drawing**

Detail 4



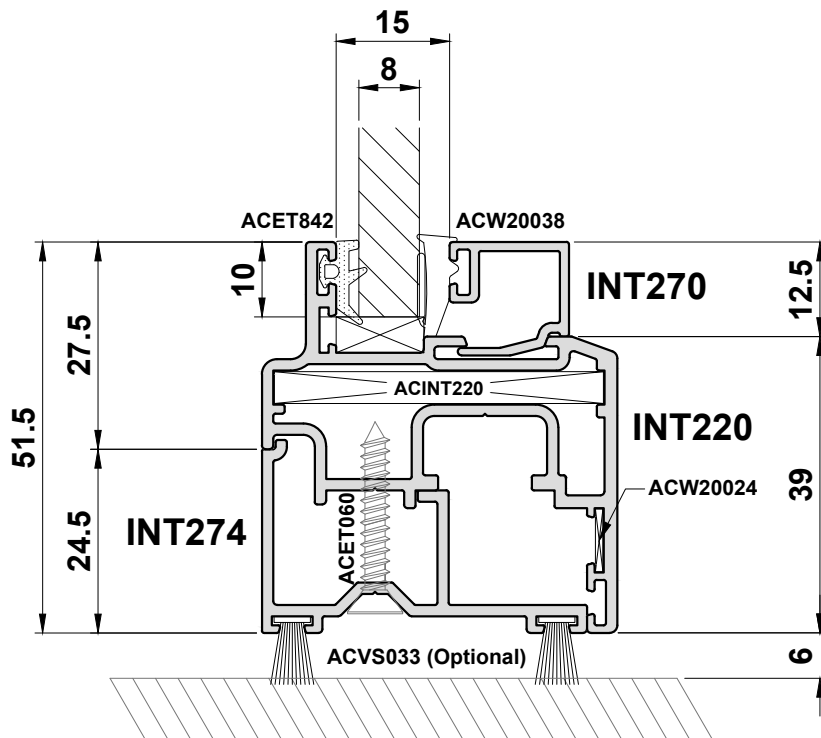
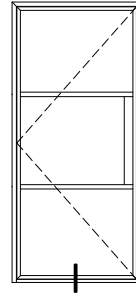
Do Not Scale From This Drawing

**Detail 5**



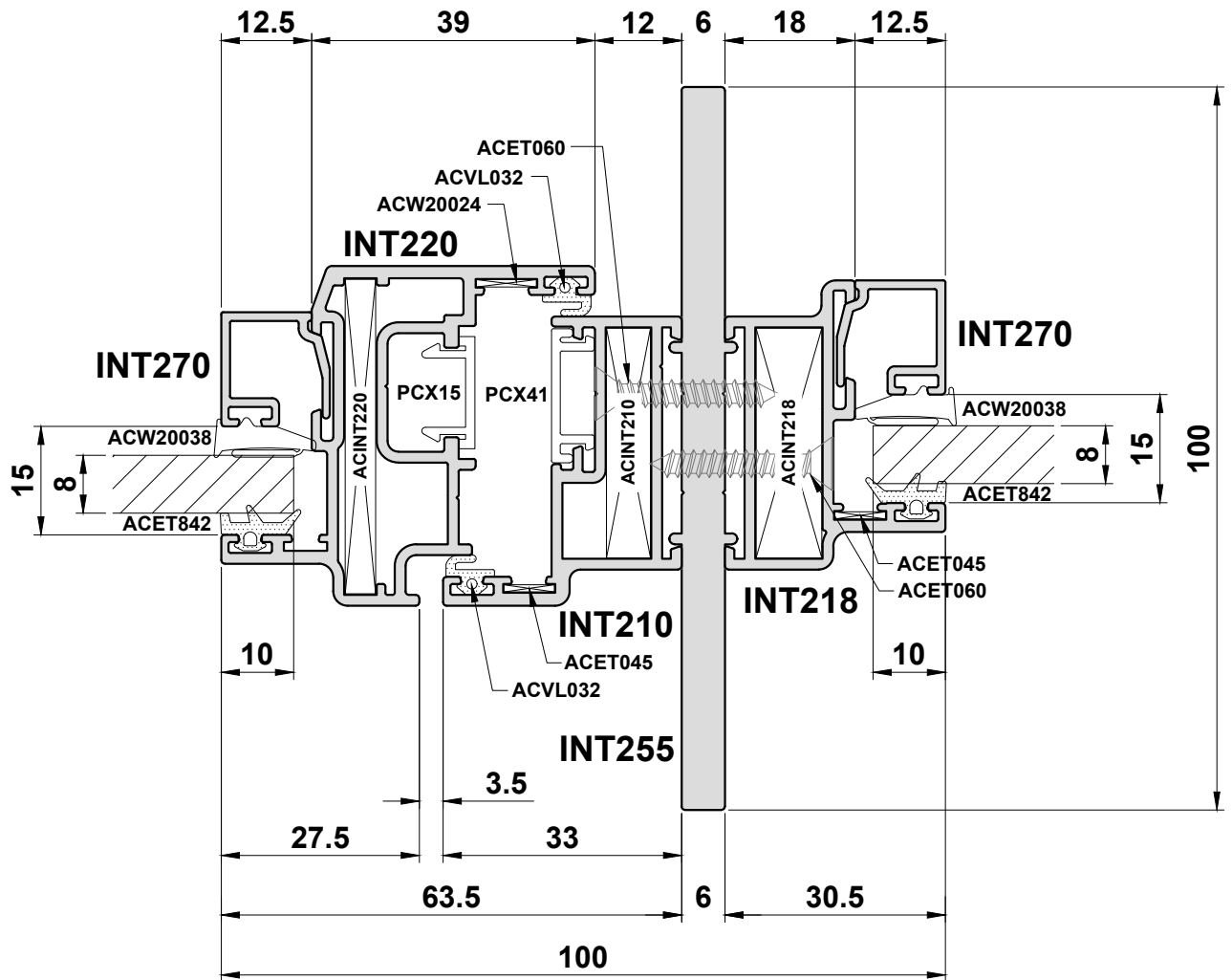
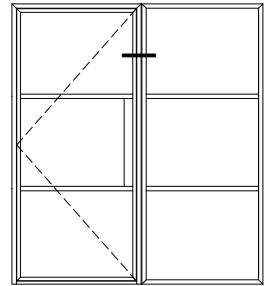
**Do Not Scale From This Drawing**

**Detail 6**



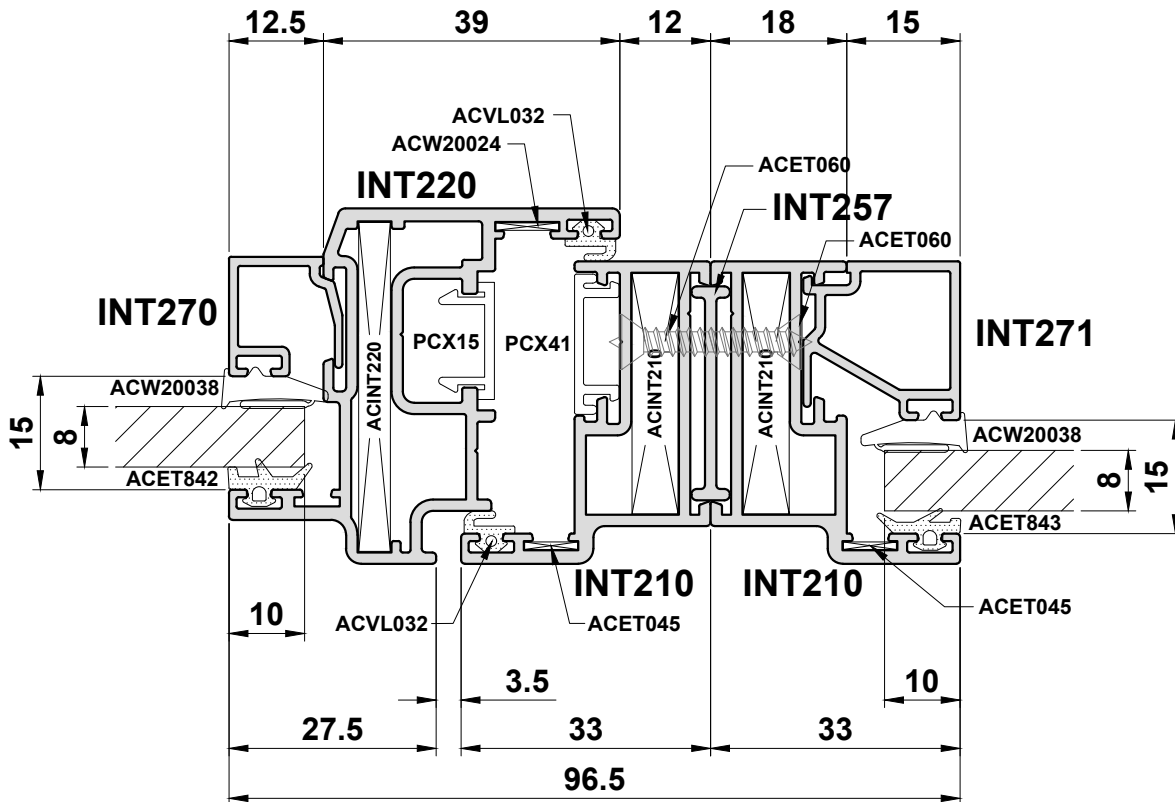
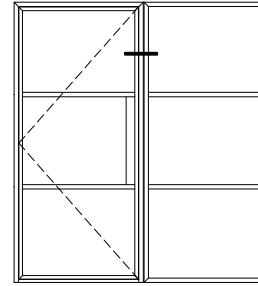
**Do Not Scale From This Drawing**

**Detail 7A**



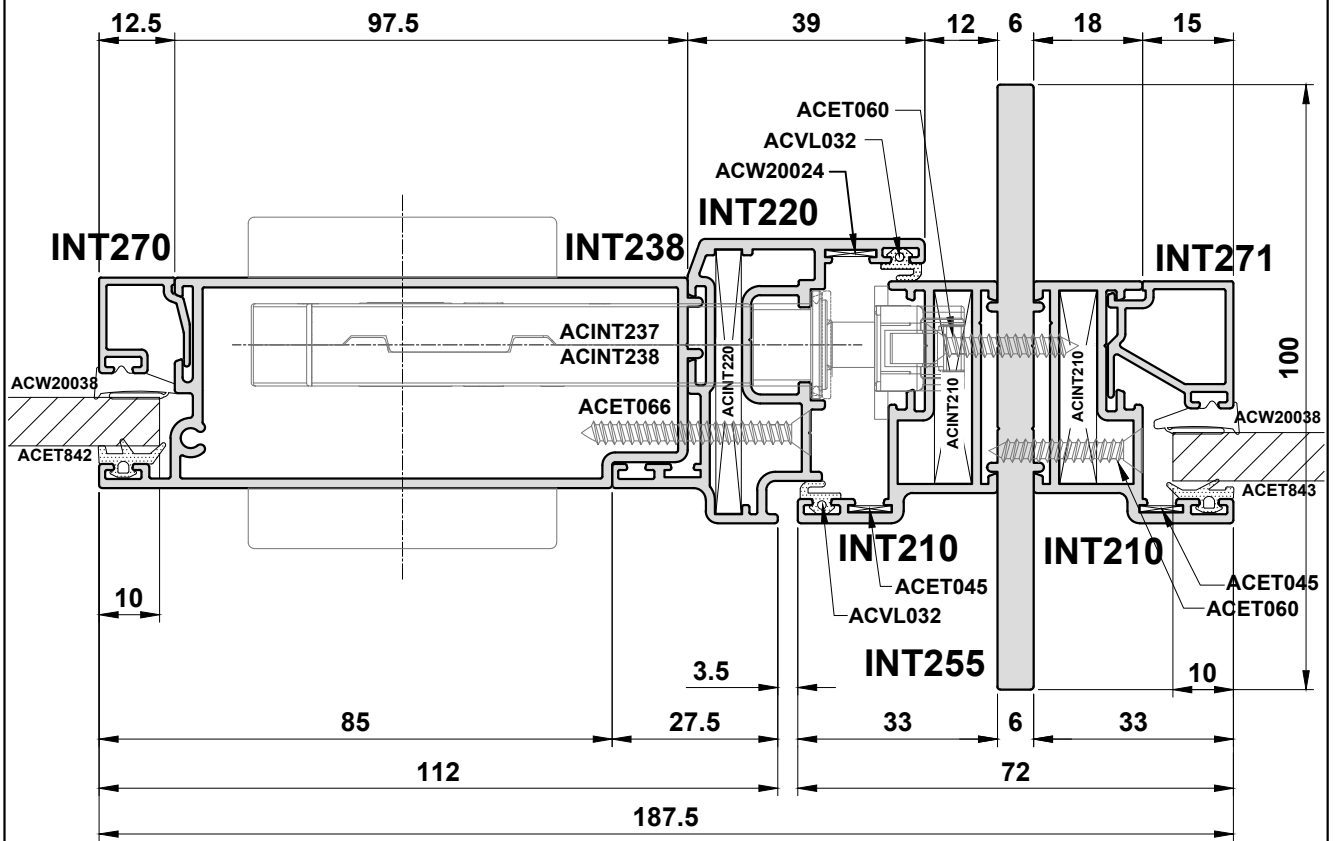
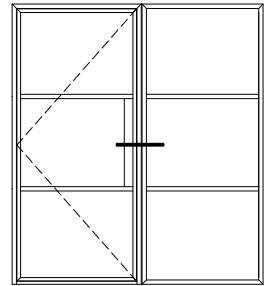
**Do Not Scale From This Drawing**

**Detail 7B**



**Do Not Scale From This Drawing**

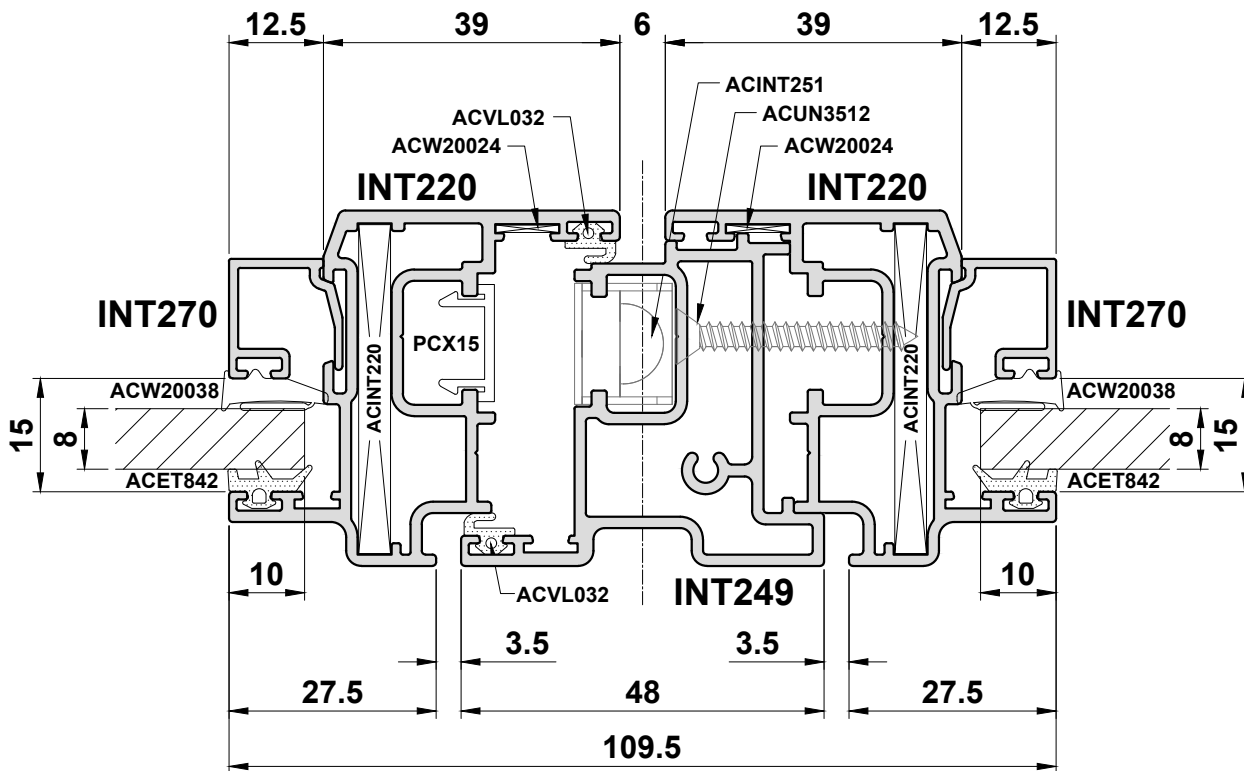
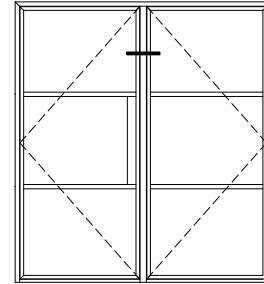
**Detail 8**



Scale 1:0.8

**Do Not Scale From This Drawing**

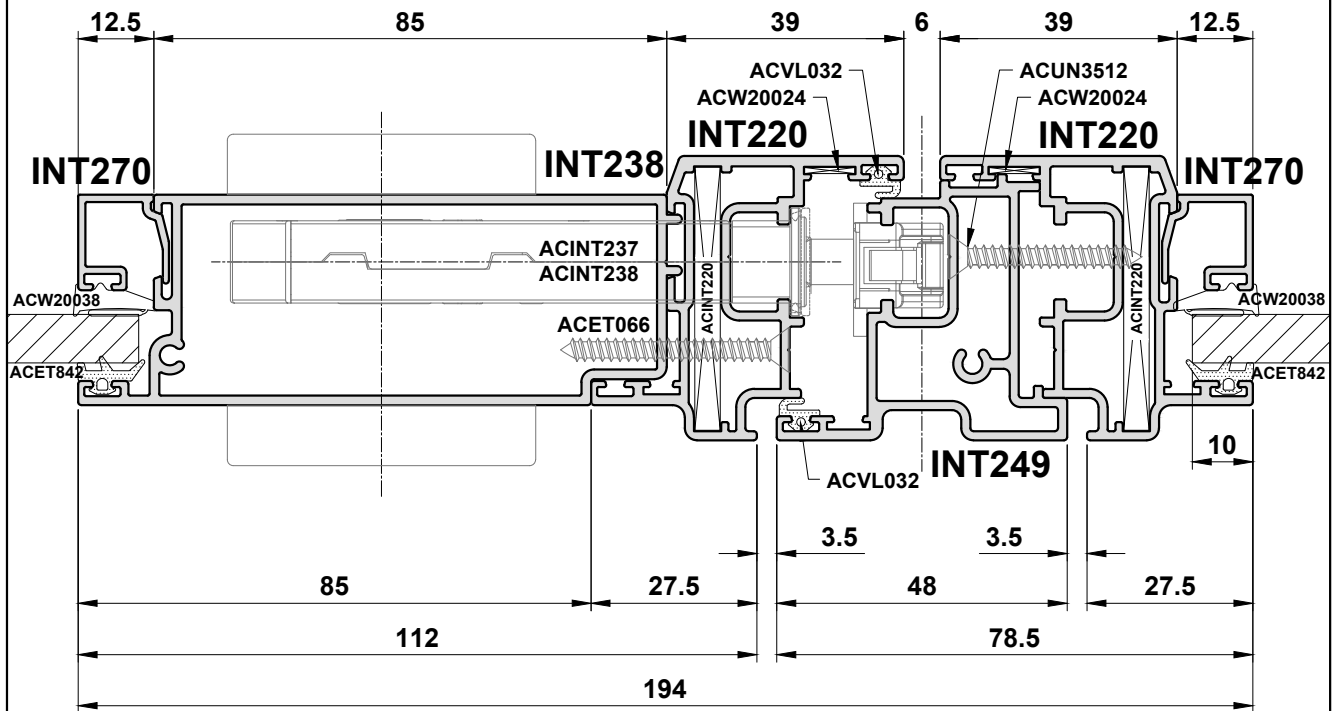
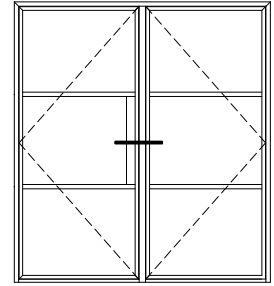
**Detail 9**



**Do Not Scale From This Drawing**



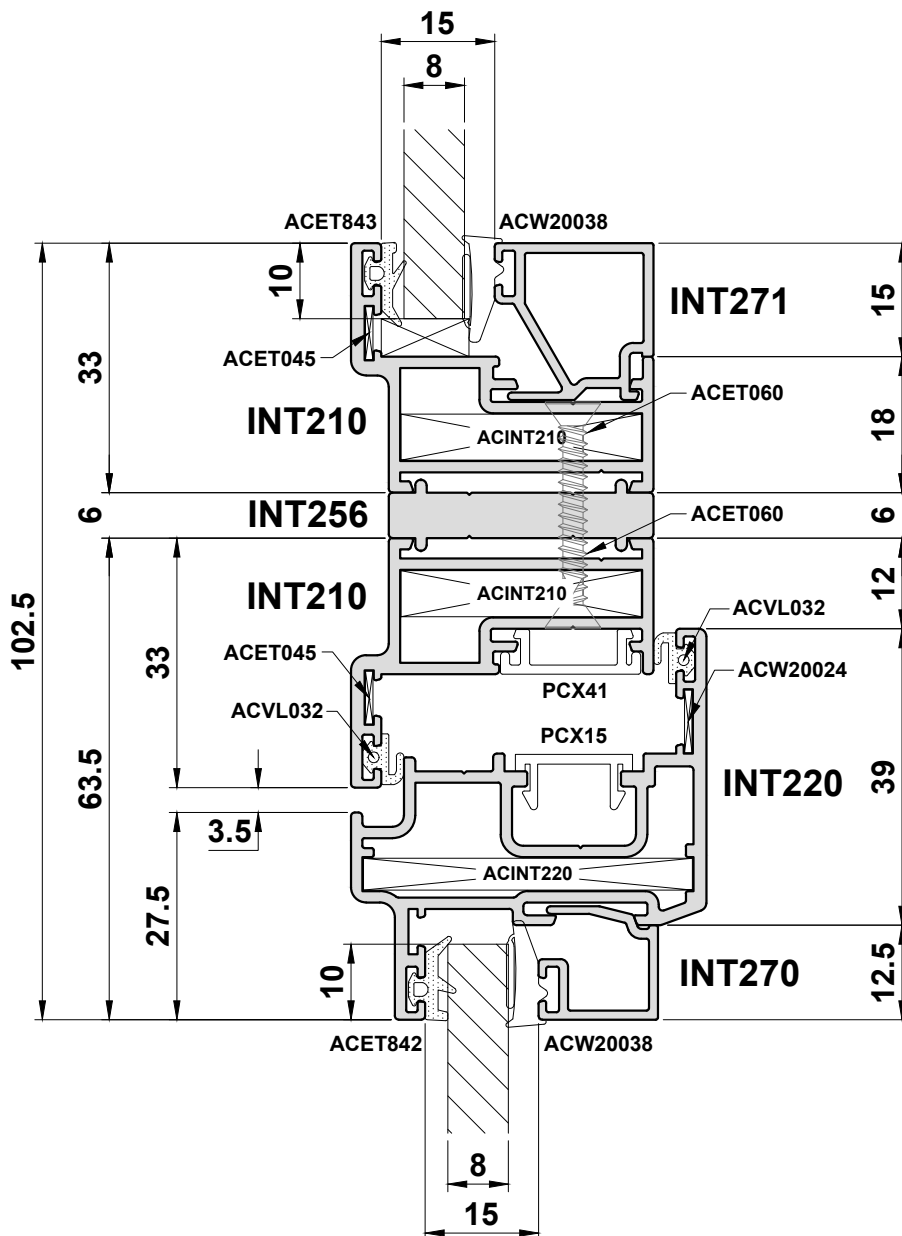
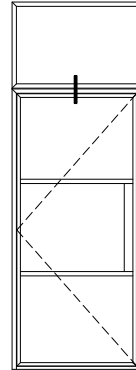
**Detail 10**



Scale 1:0.8

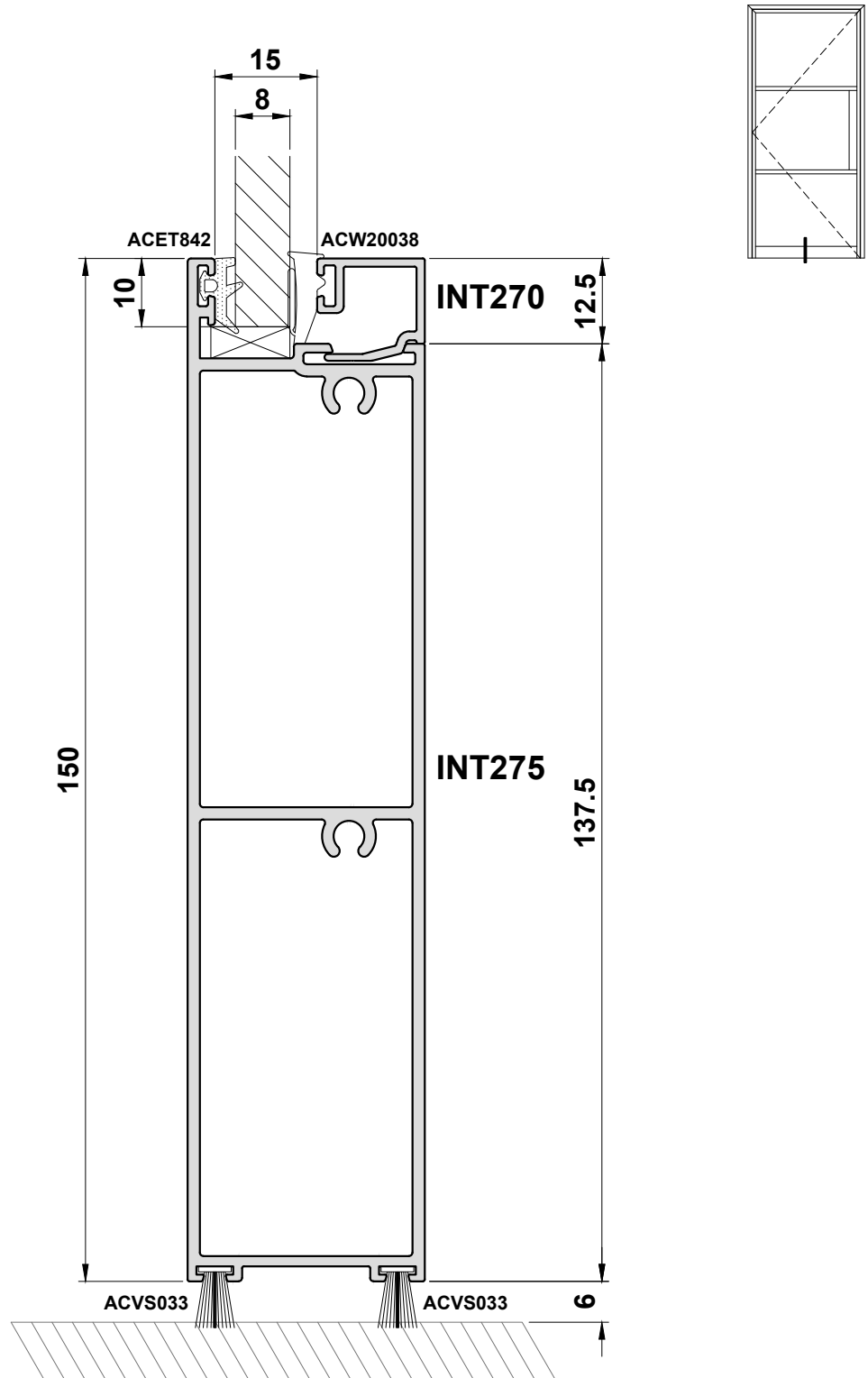
**Do Not Scale From This Drawing**

**Detail 11**

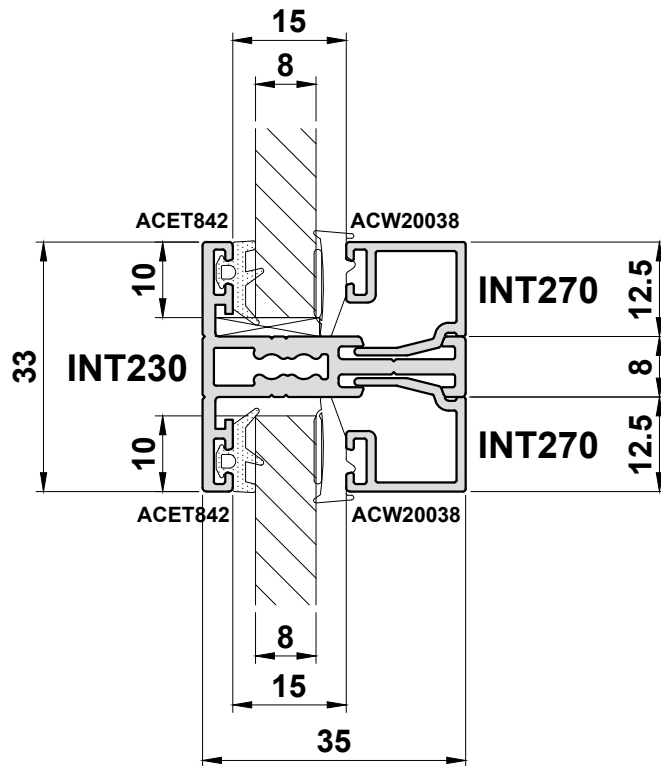
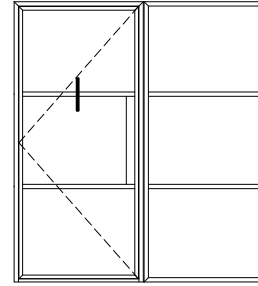


**Do Not Scale From This Drawing**

## Detail 12

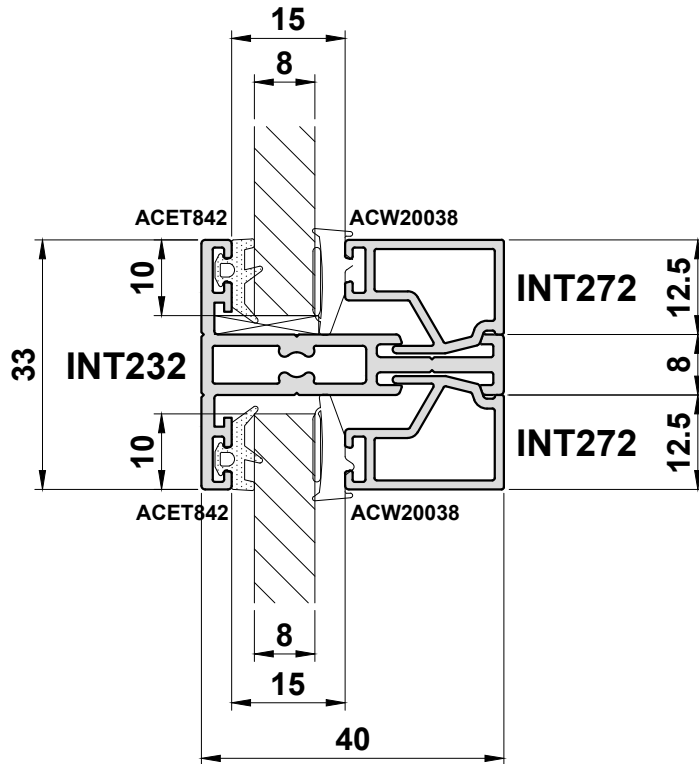
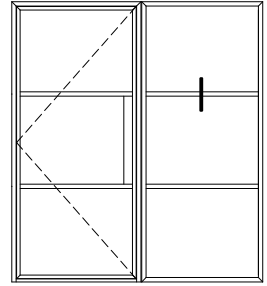


**Do Not Scale From This Drawing**



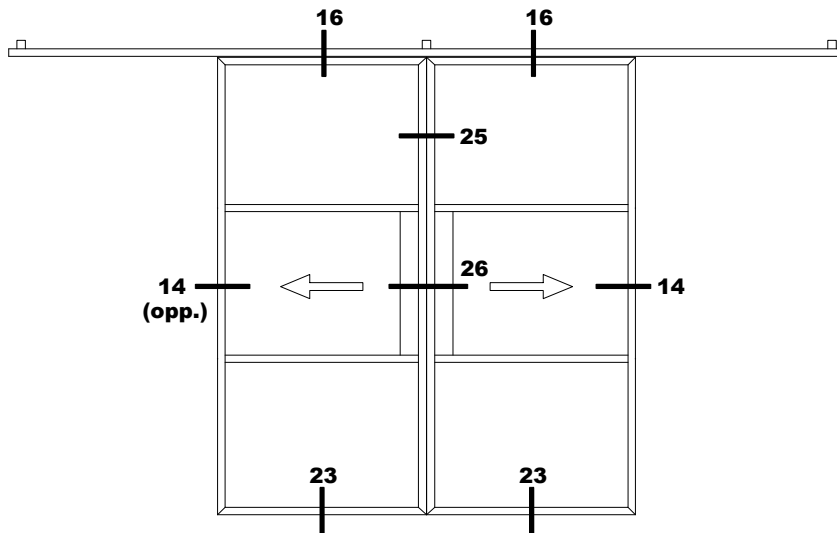
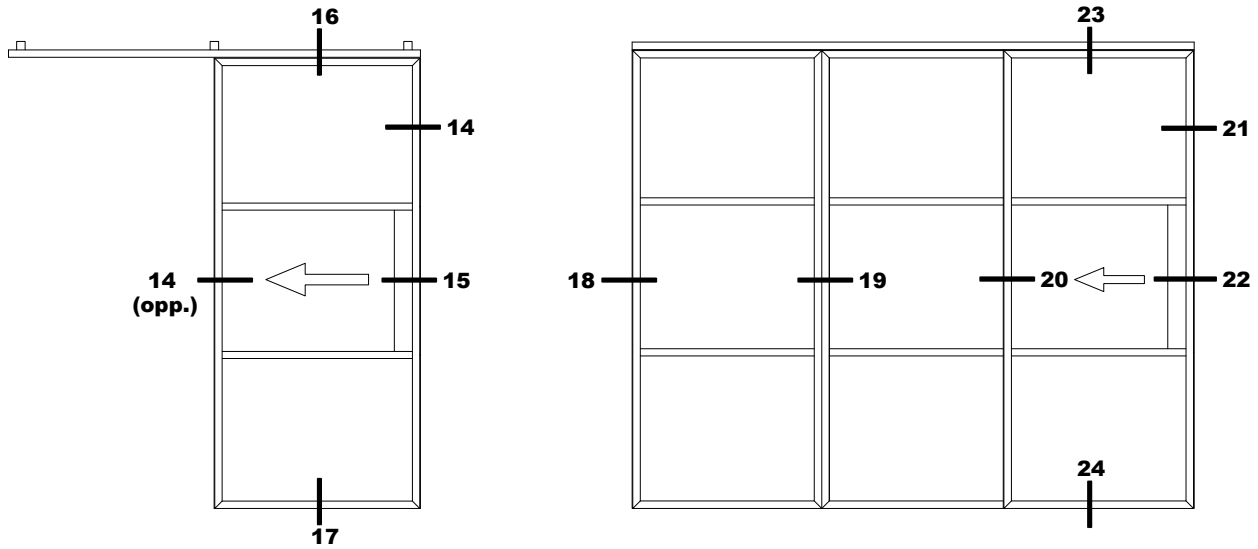
**Do Not Scale From This Drawing**

## Detail 13B



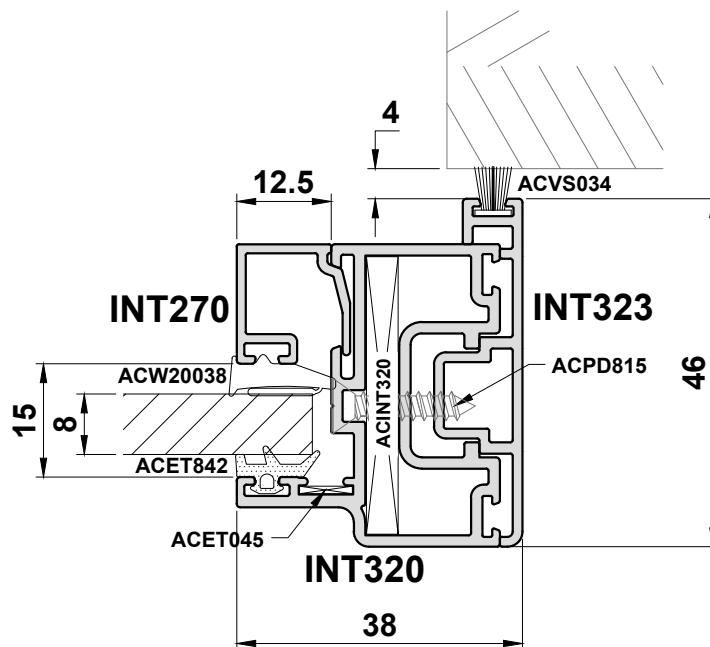
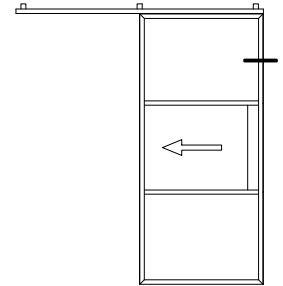
Do Not Scale From This Drawing

## Sliding Door



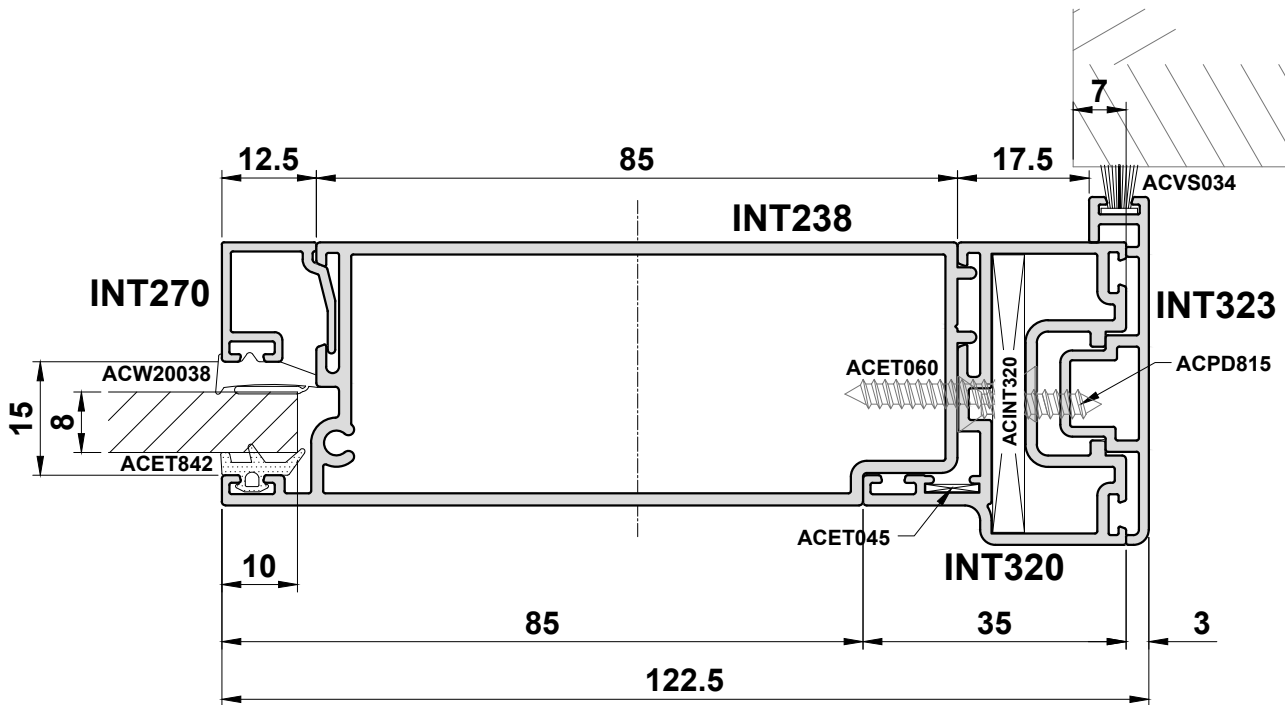
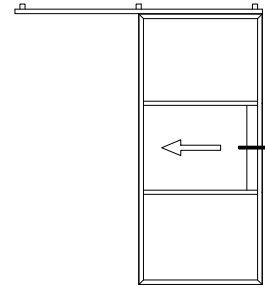
**Do Not Scale From This Drawing**

## Detail 14



Do Not Scale From This Drawing

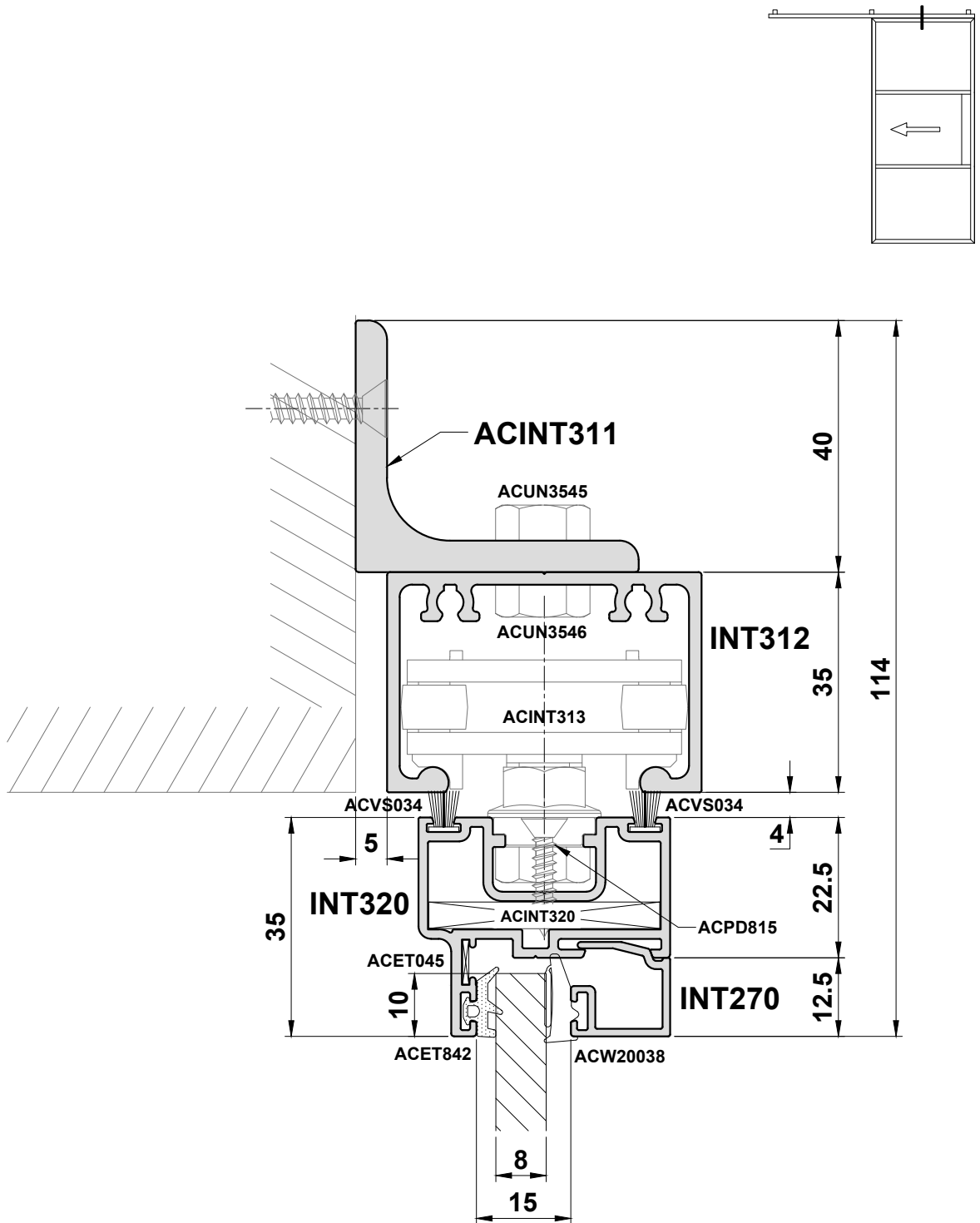
Detail 15



Do Not Scale From This Drawing

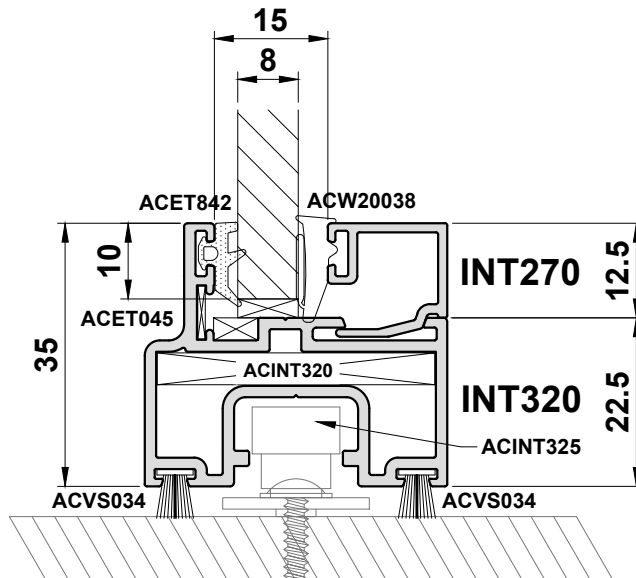
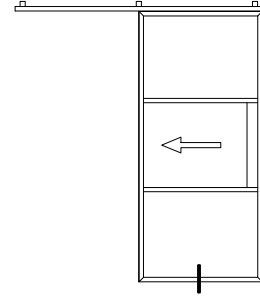


## Detail 16



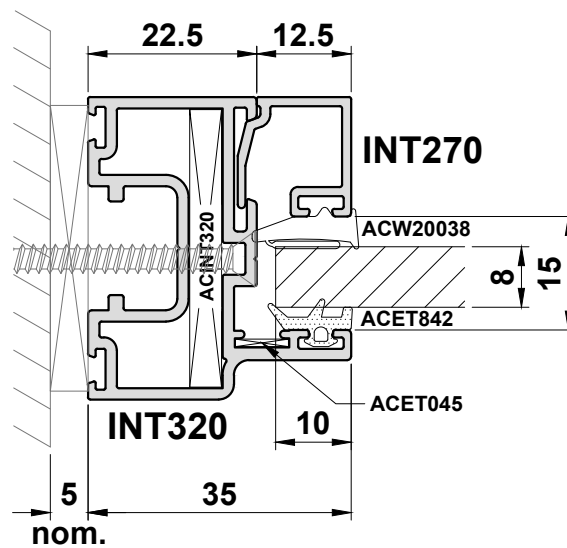
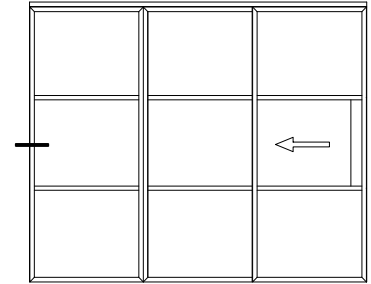
Do Not Scale From This Drawing

## Detail 17



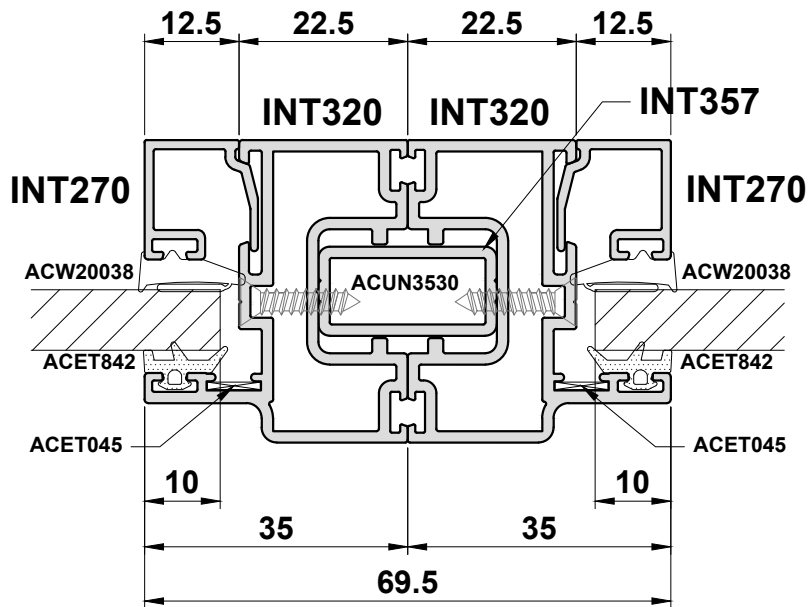
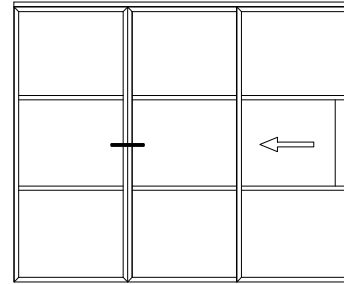
**Do Not Scale From This Drawing**

## Detail 18



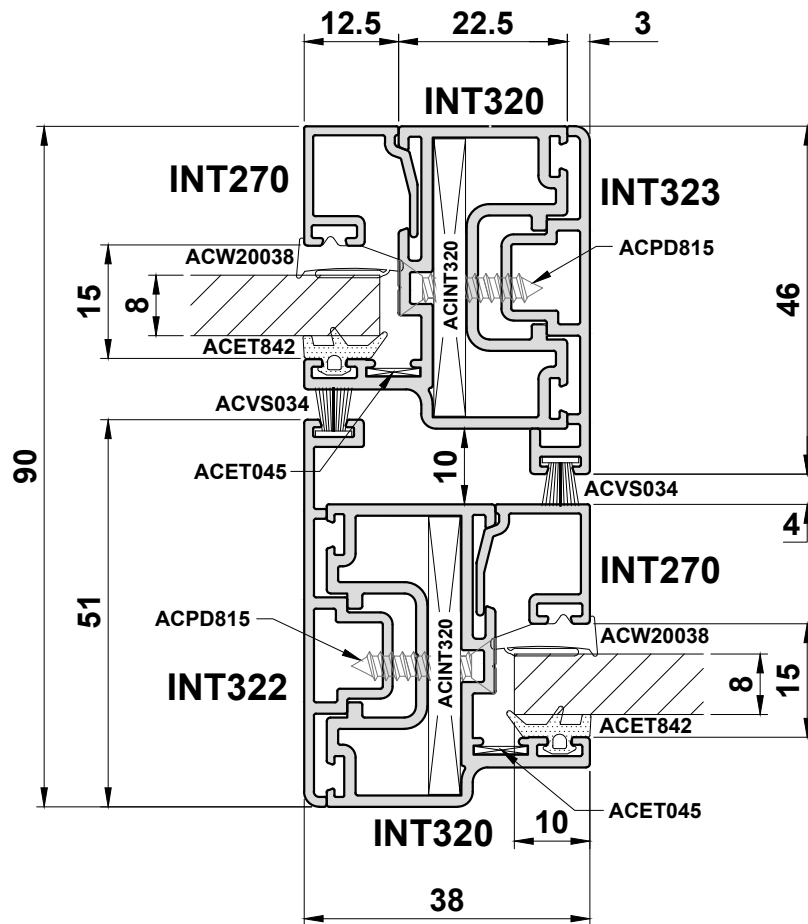
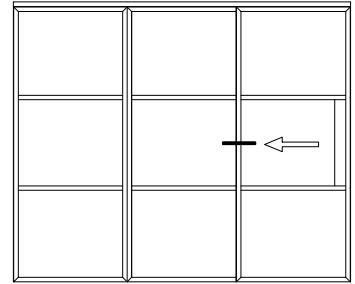
**Do Not Scale From This Drawing**

**Detail 19**



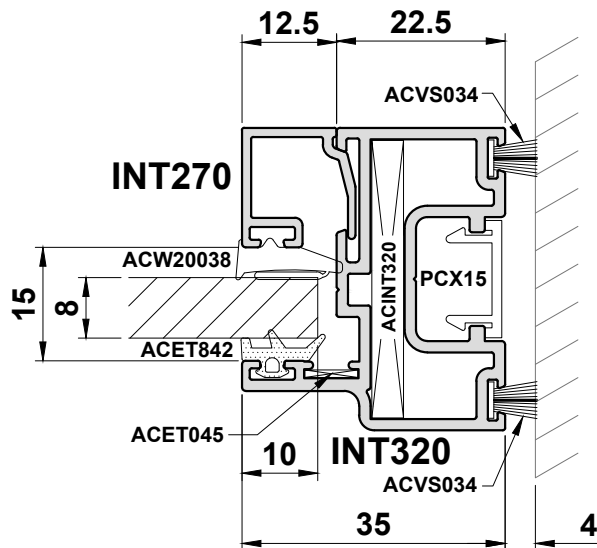
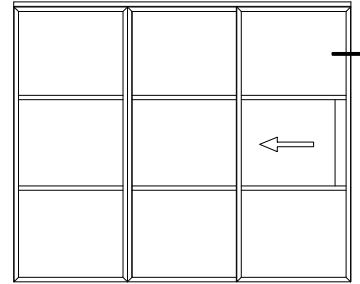
**Do Not Scale From This Drawing**

**Detail 20**



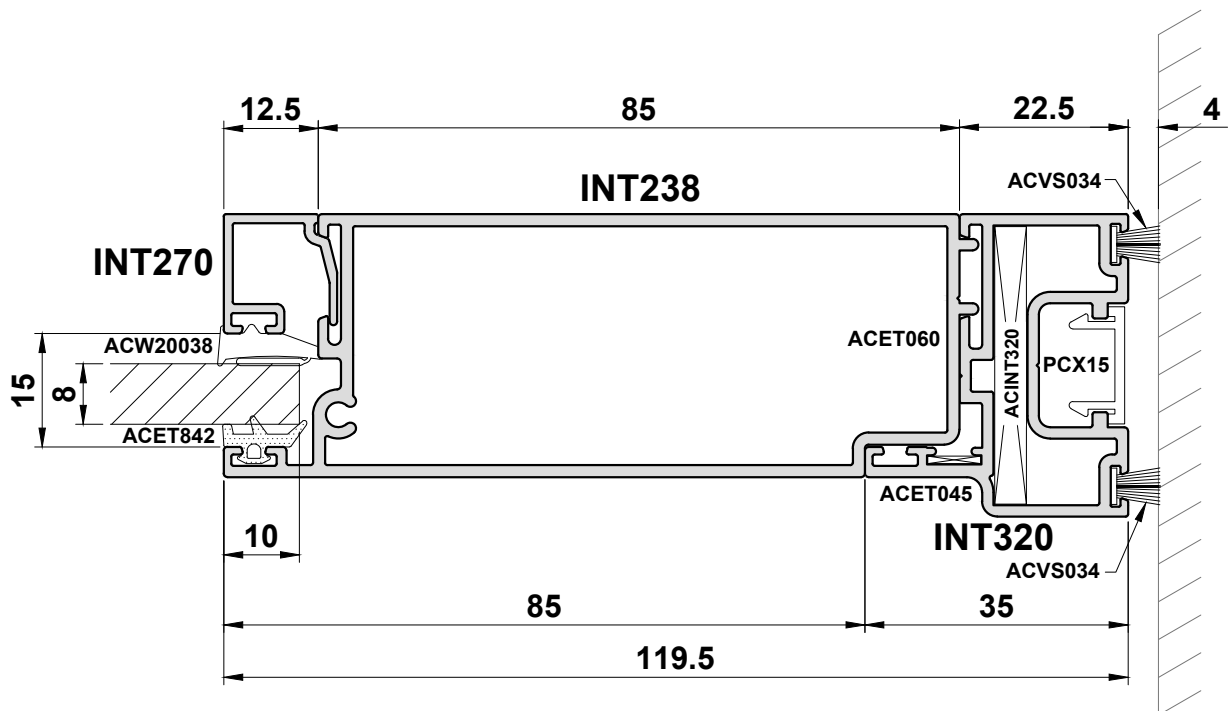
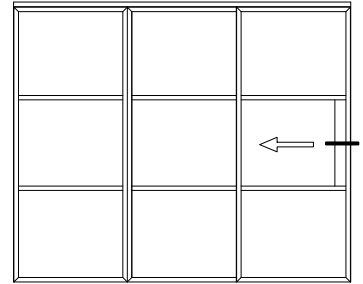
**Do Not Scale From This Drawing**

## Detail 21



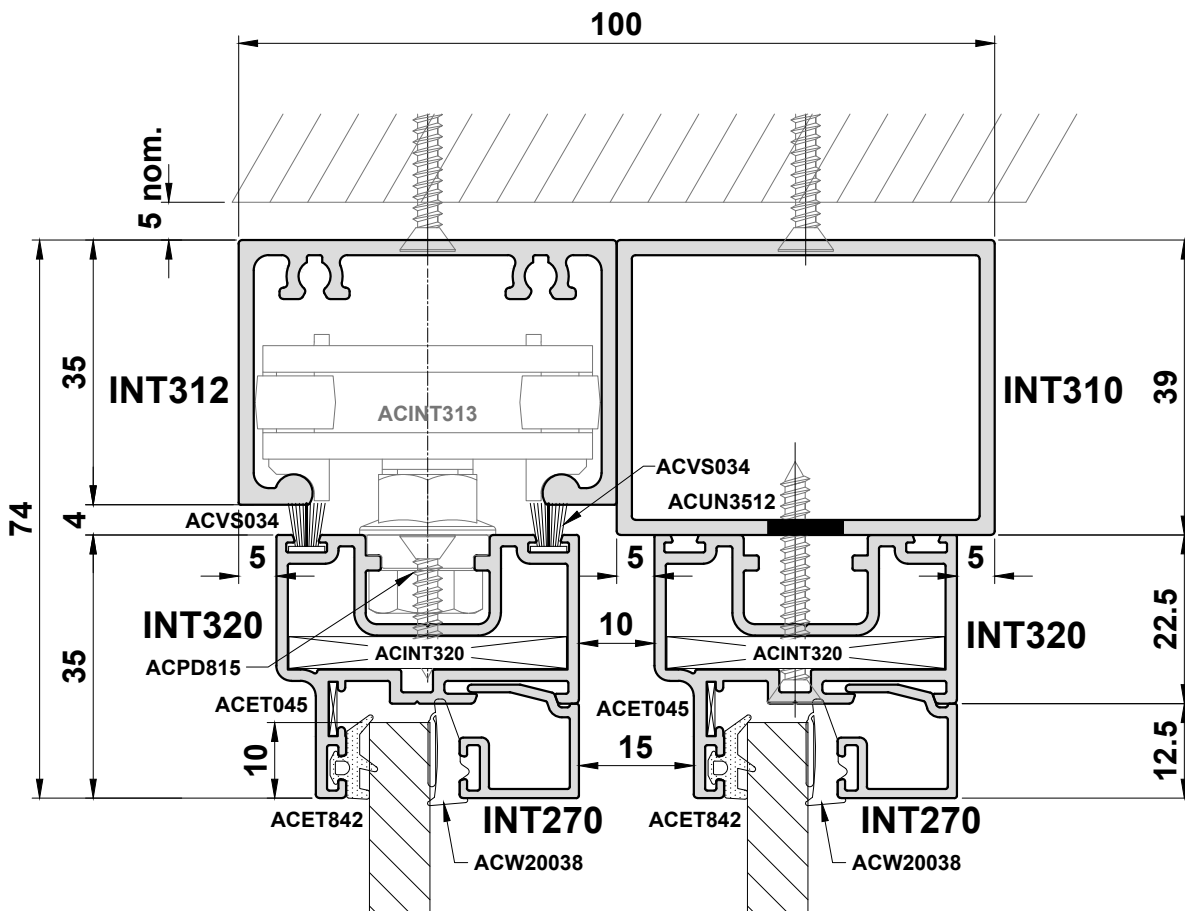
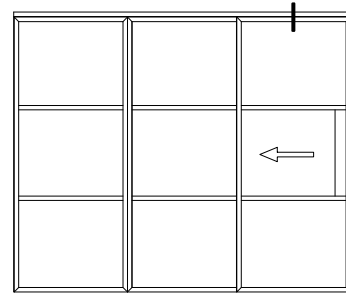
Do Not Scale From This Drawing

**Detail 22**



**Do Not Scale From This Drawing**

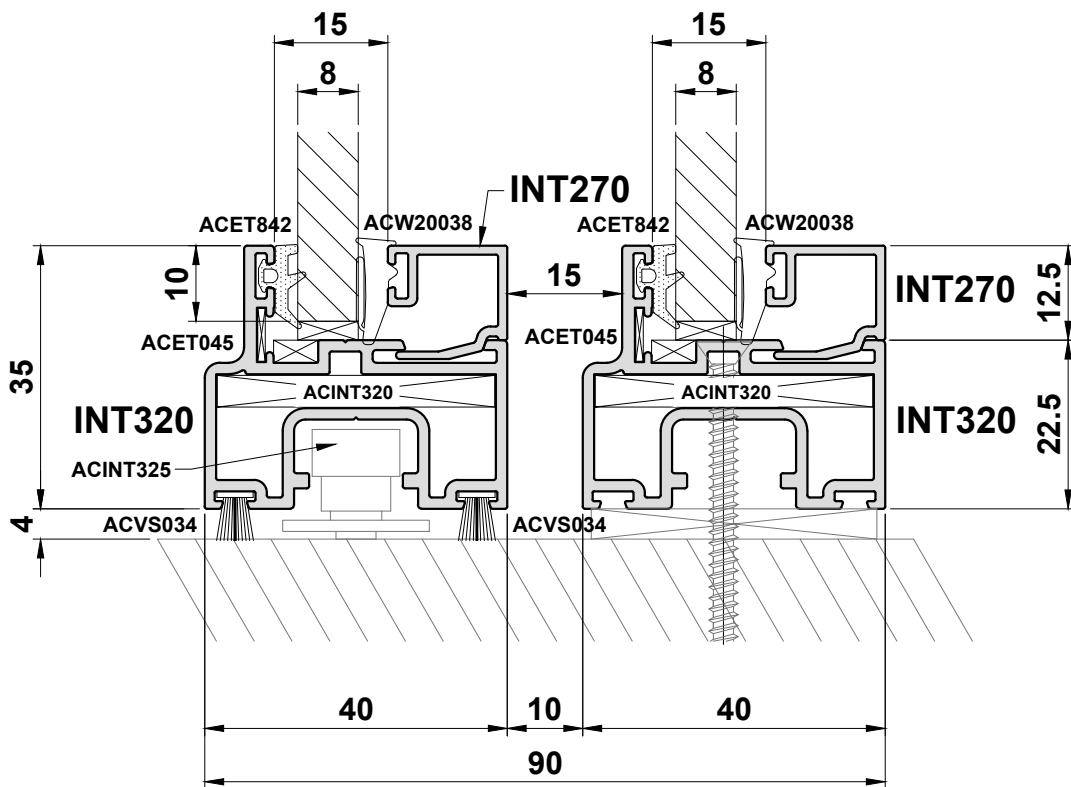
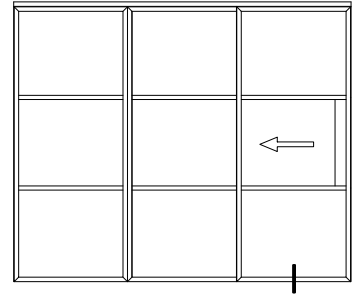
**Detail 23**



**Do Not Scale From This Drawing**

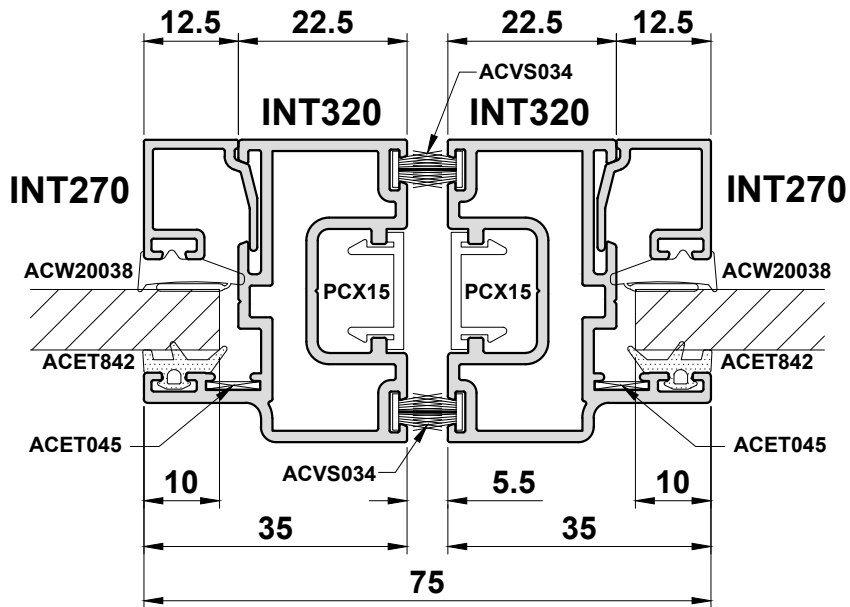
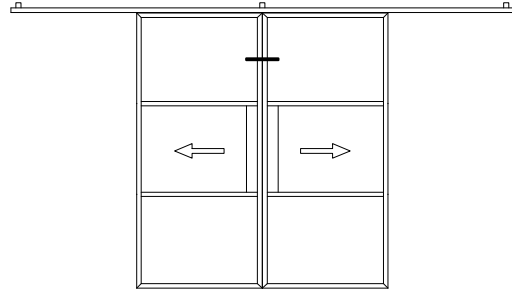


**Detail 24**



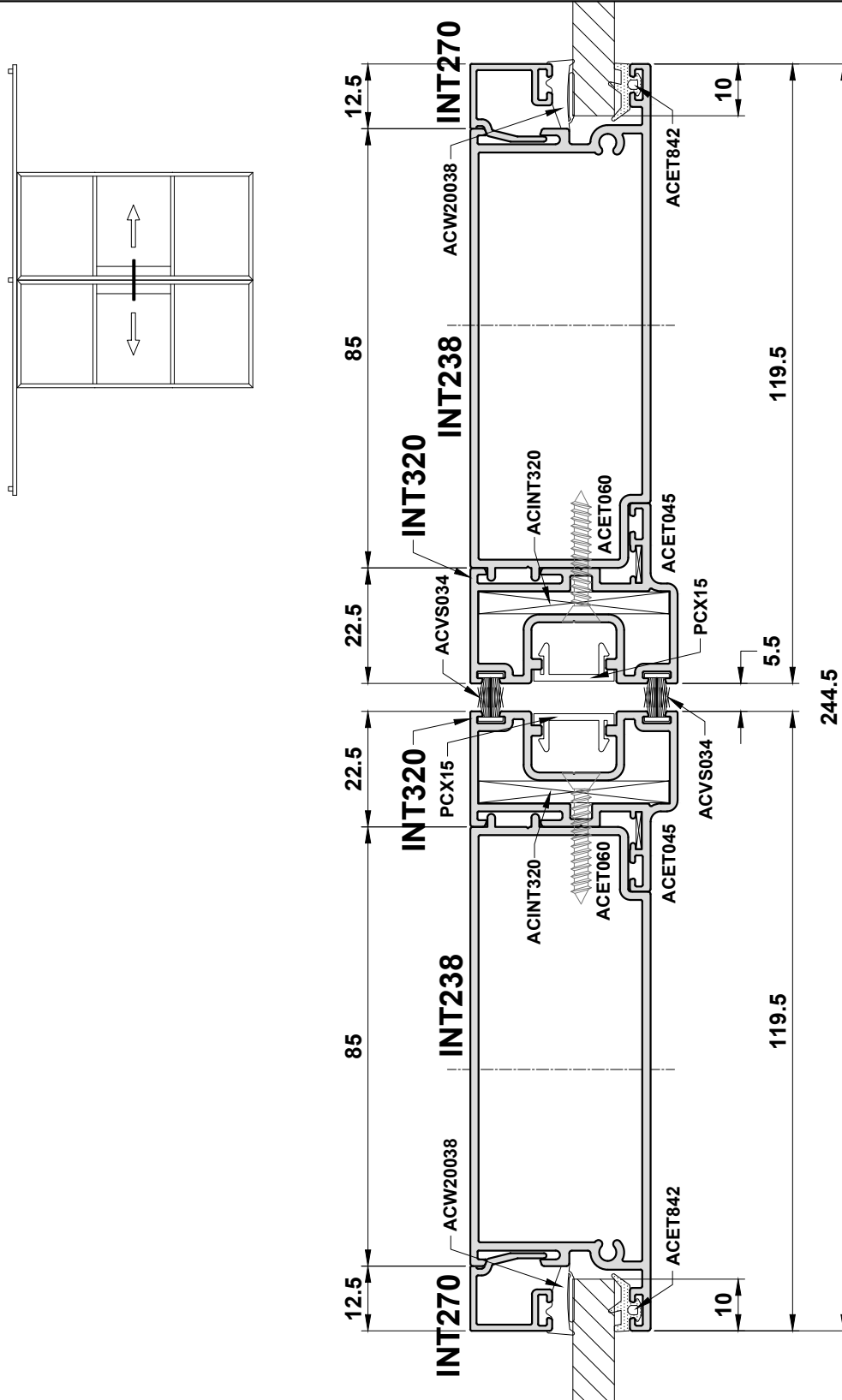
**Do Not Scale From This Drawing**

**Detail 25**



**Do Not Scale From This Drawing**

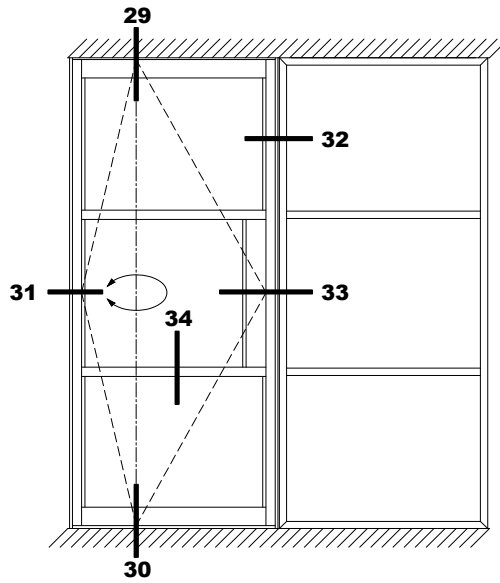
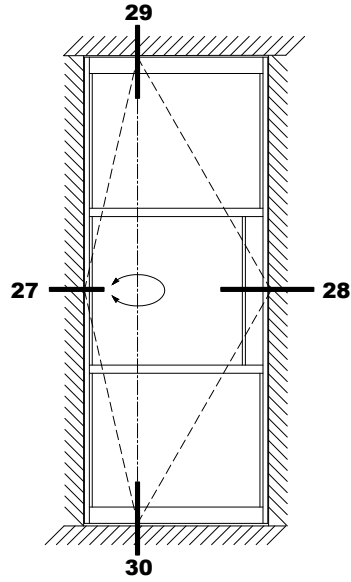
**Detail 26**



Scale 1:0.8

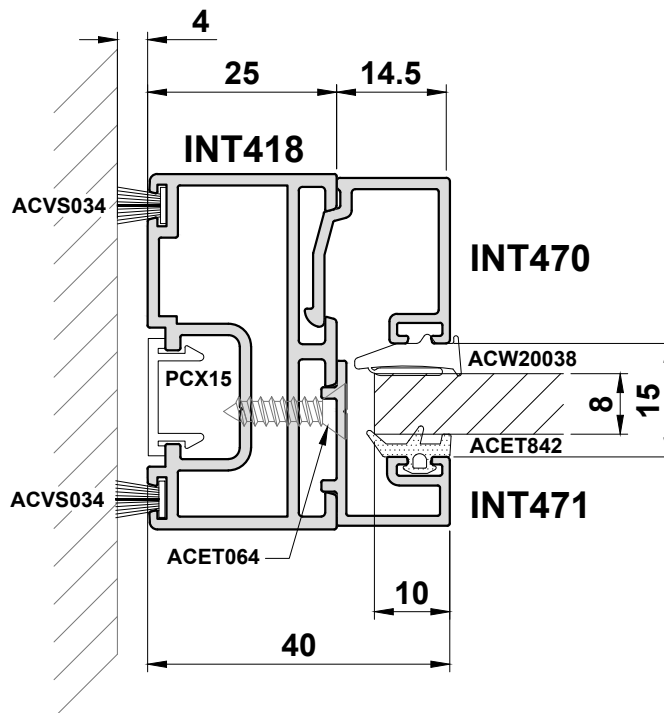
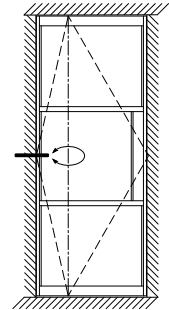
**Do Not Scale From This Drawing**

## Pivot Door



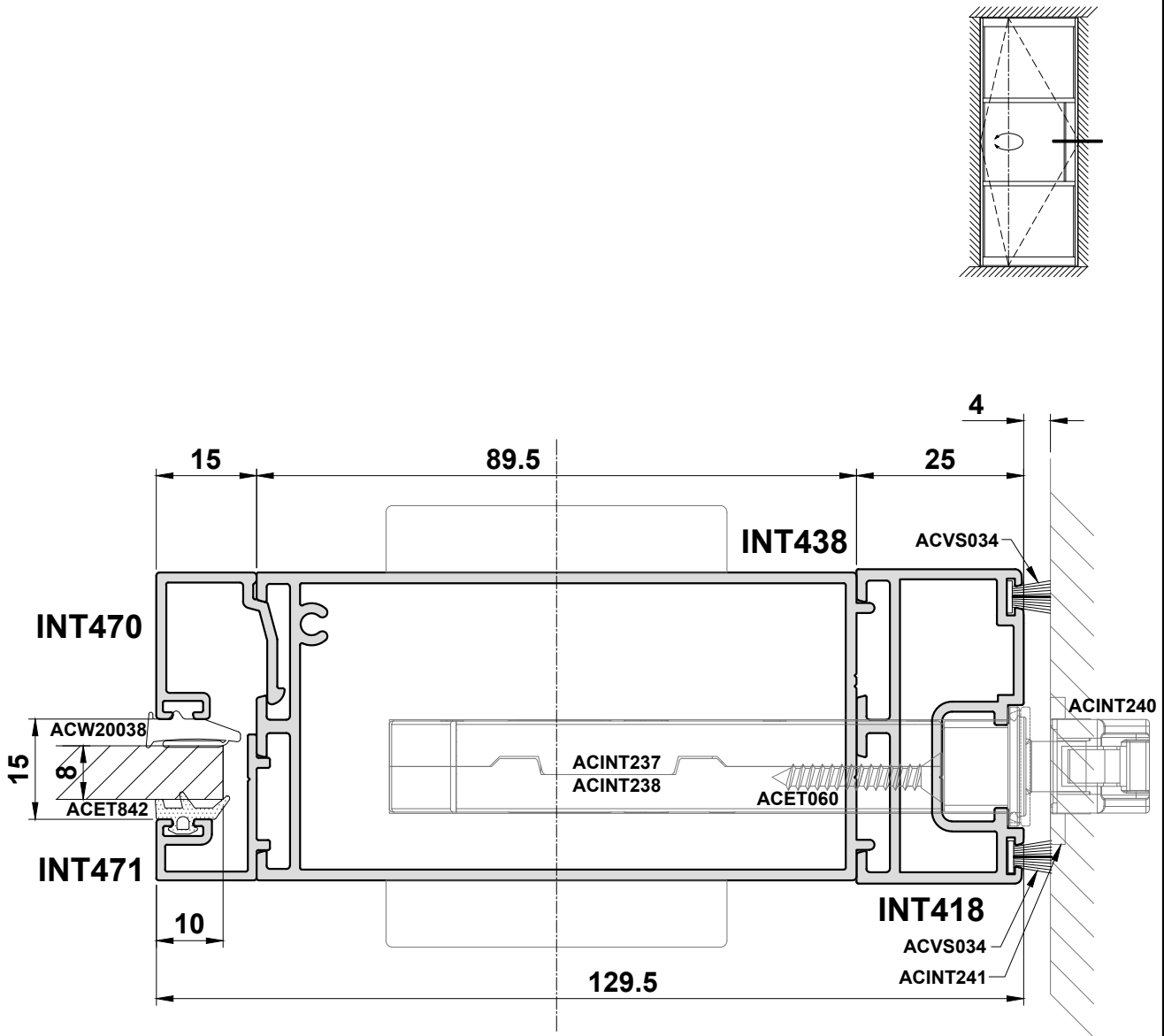
**Do Not Scale From This Drawing**

## Detail 27



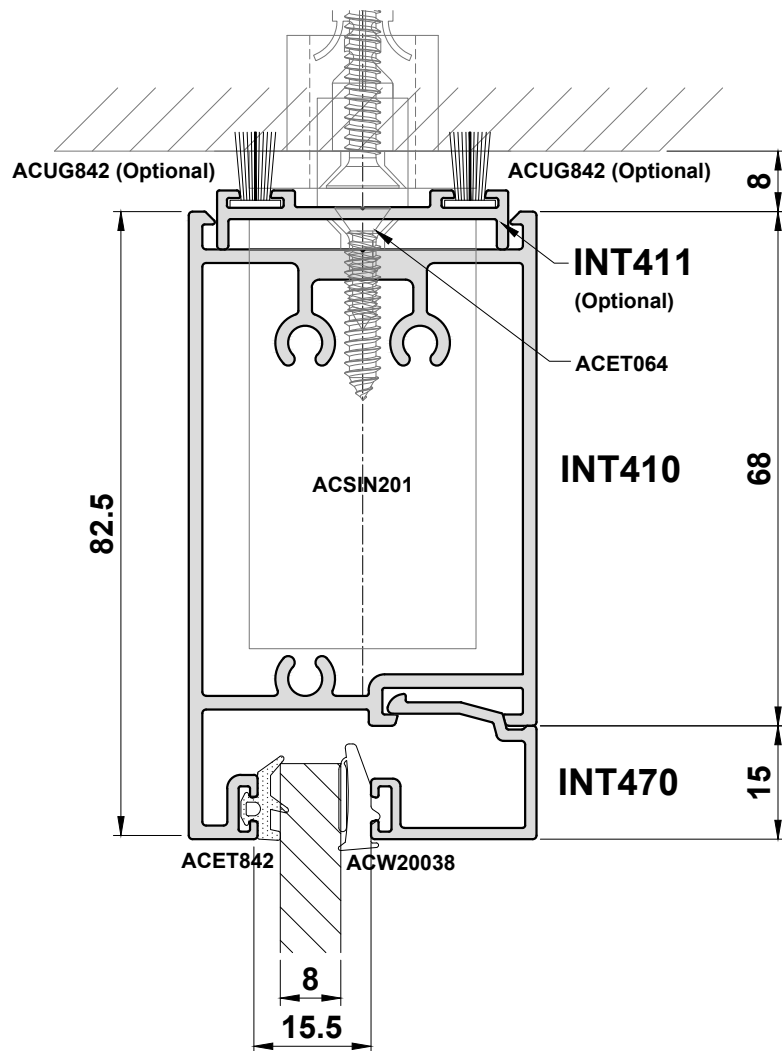
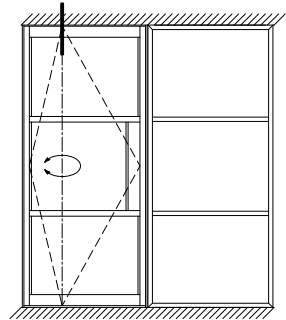
**Do Not Scale From This Drawing**

Detail 28



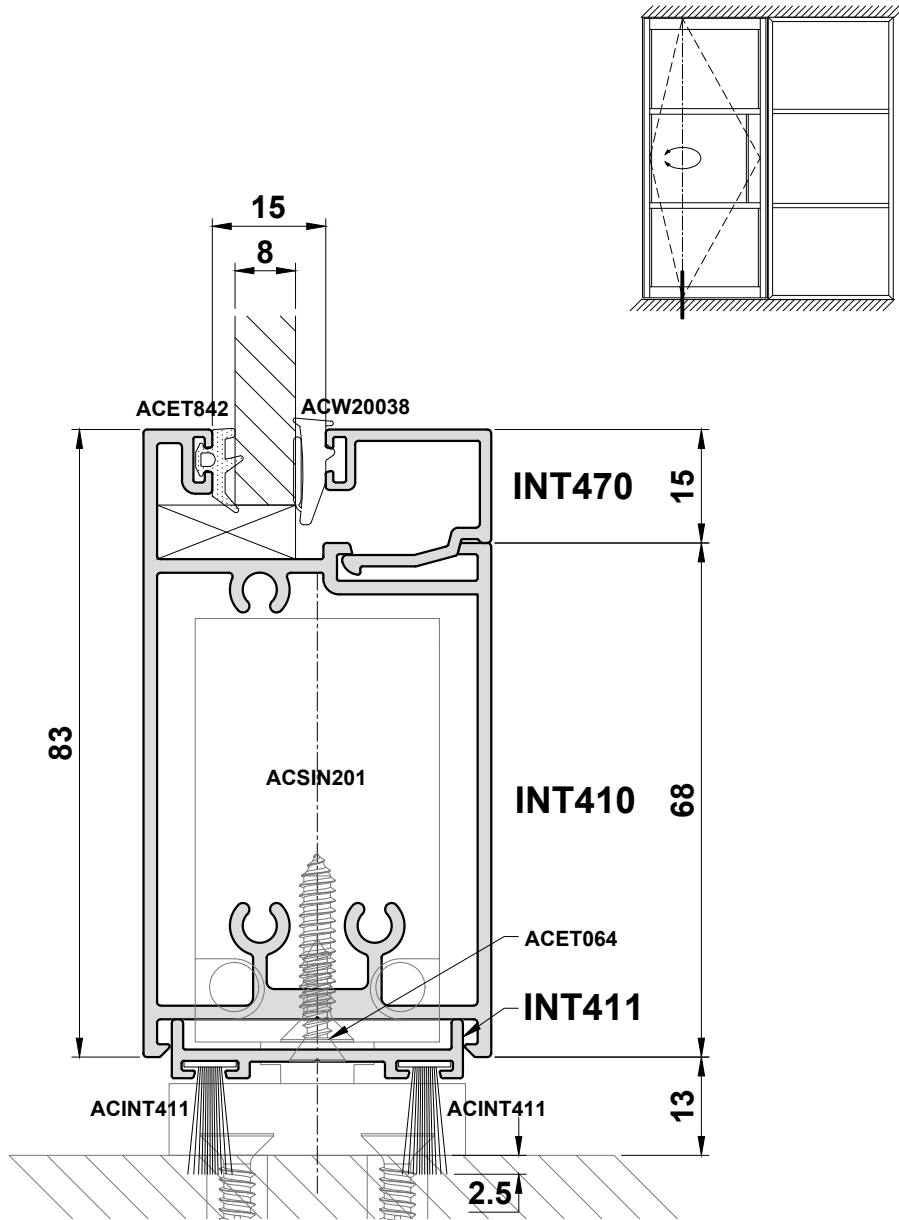
Do Not Scale From This Drawing

**Detail 29**



**Do Not Scale From This Drawing**

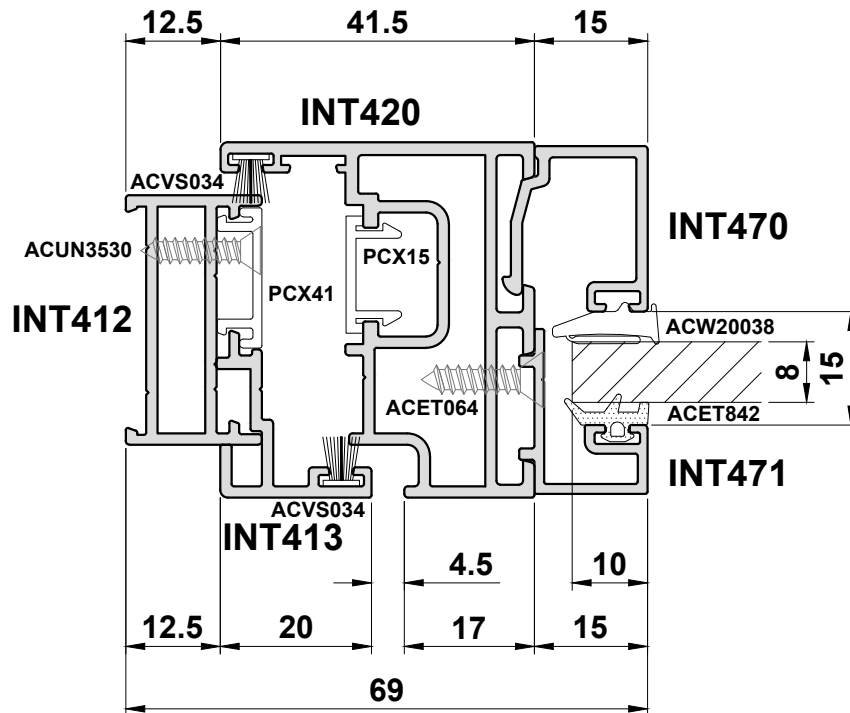
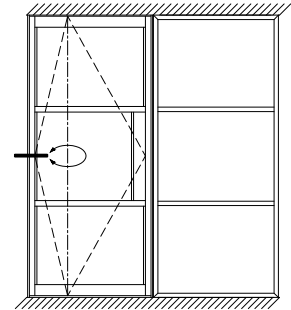
## Detail 30



Do Not Scale From This Drawing

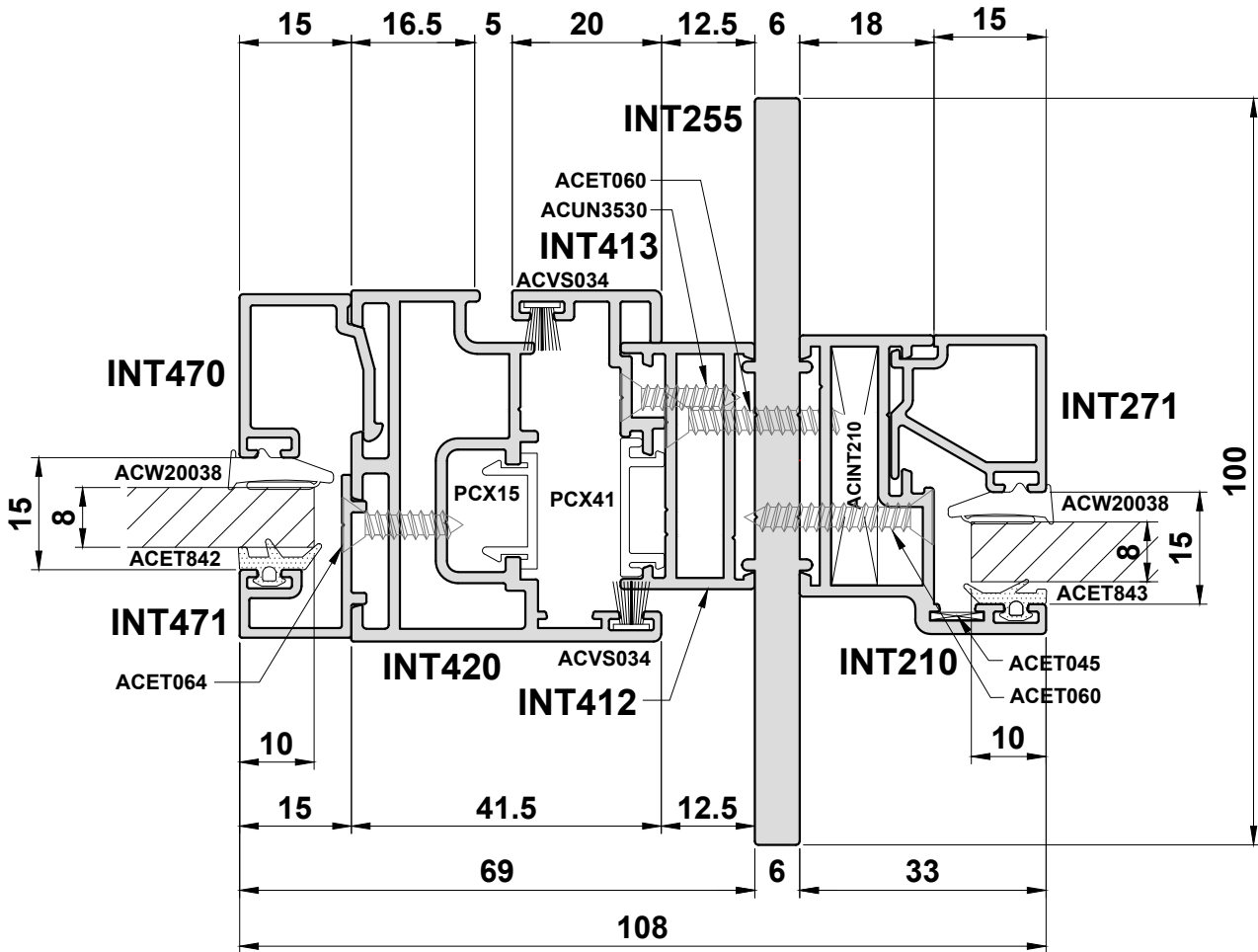
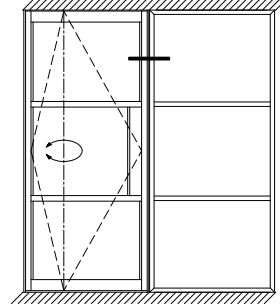


**Detail 31**



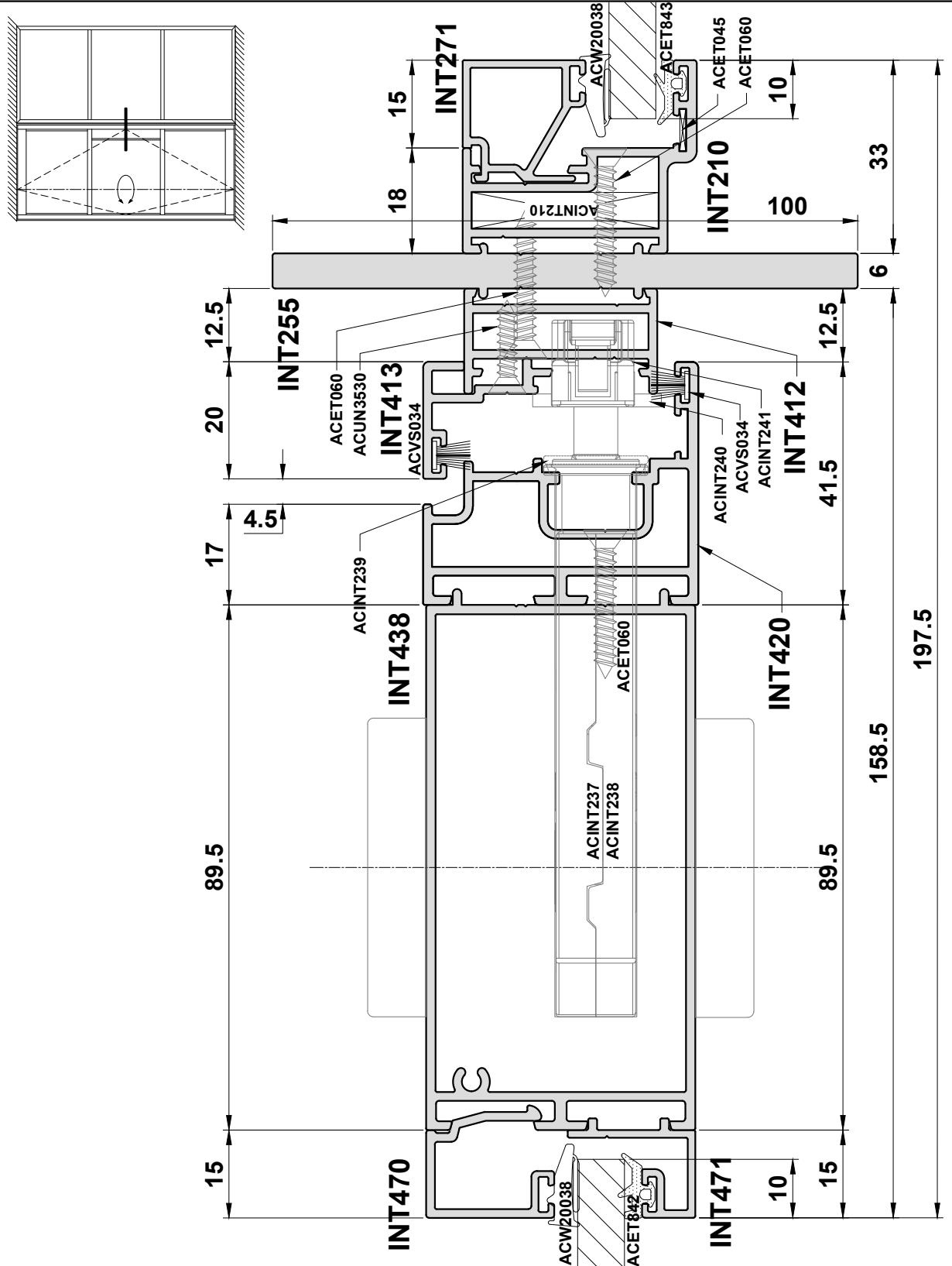
**Do Not Scale From This Drawing**

## Detail 32



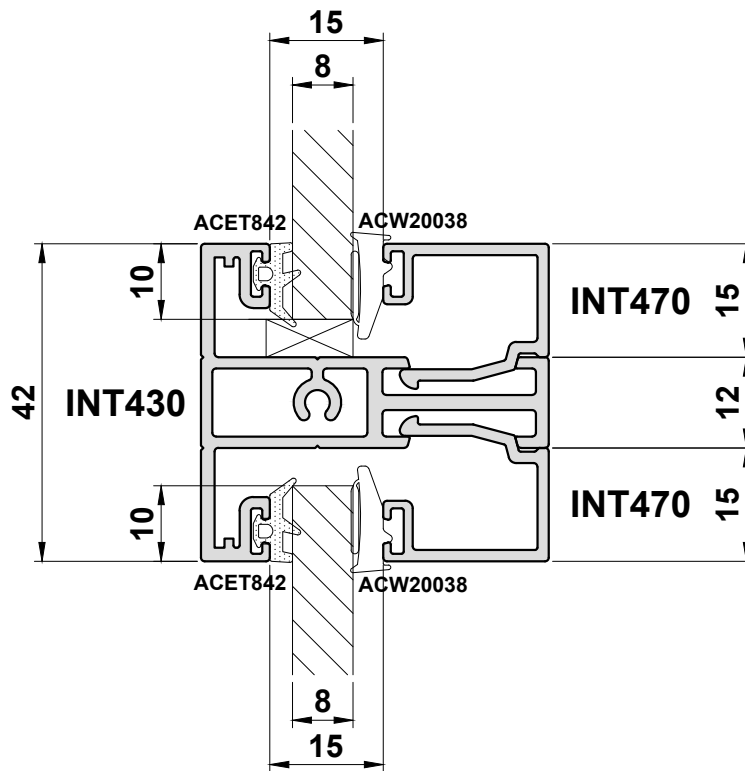
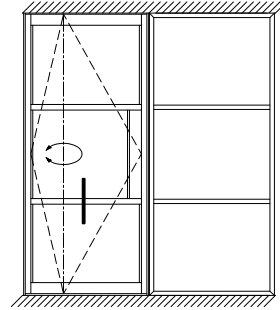
Do Not Scale From This Drawing

**Detail 33**



**Do Not Scale From This Drawing**

## Detail 34



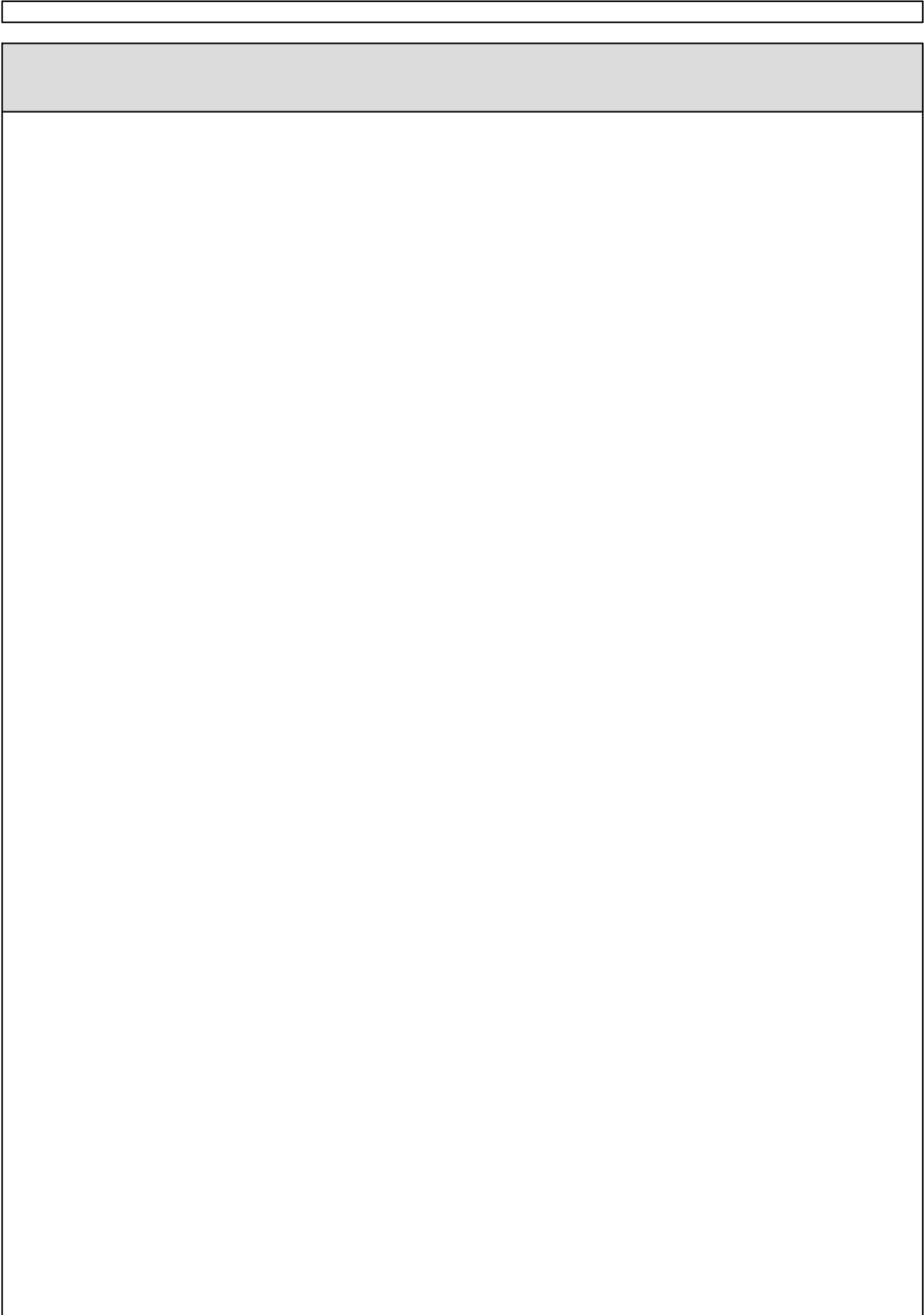
Do Not Scale From This Drawing

**Section D**

**Statics**

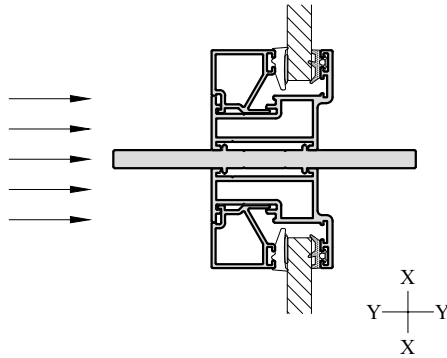
**Fixed Screen - Couplers**

**General Size Limitations are shown on Page A03.**



## Section D

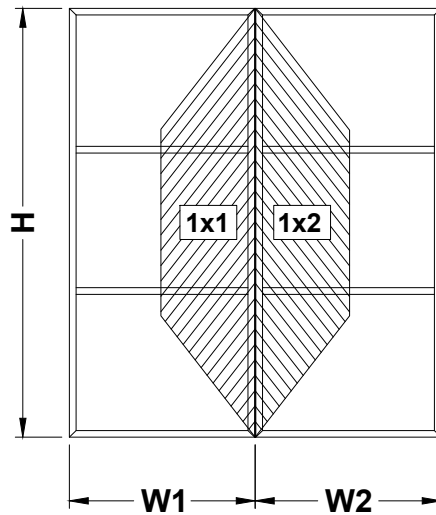
### GENERAL INFORMATION - STATICS



The position of the axes is an indication for the use and application of the moments of inertia ( $I_x$  and  $I_y$ ) and the section modulus ( $W_x$  and  $W_y$ ). We always choose the values of the axis perpendicular to the load to resist it.

To resist the loads we use the values  $I_x$  and  $W_x$ .

### EXAMPLE



$H = 210\text{cm}$

$W1 = 100\text{cm}$

$W2 = 100\text{cm}$

$P = 800\text{ Pa}$

- 1) Determine  $I_{xx}$  value for the couplers (if required) using the Specification Wizard

$$I_{xx} = 27.6\text{ cm}^4$$

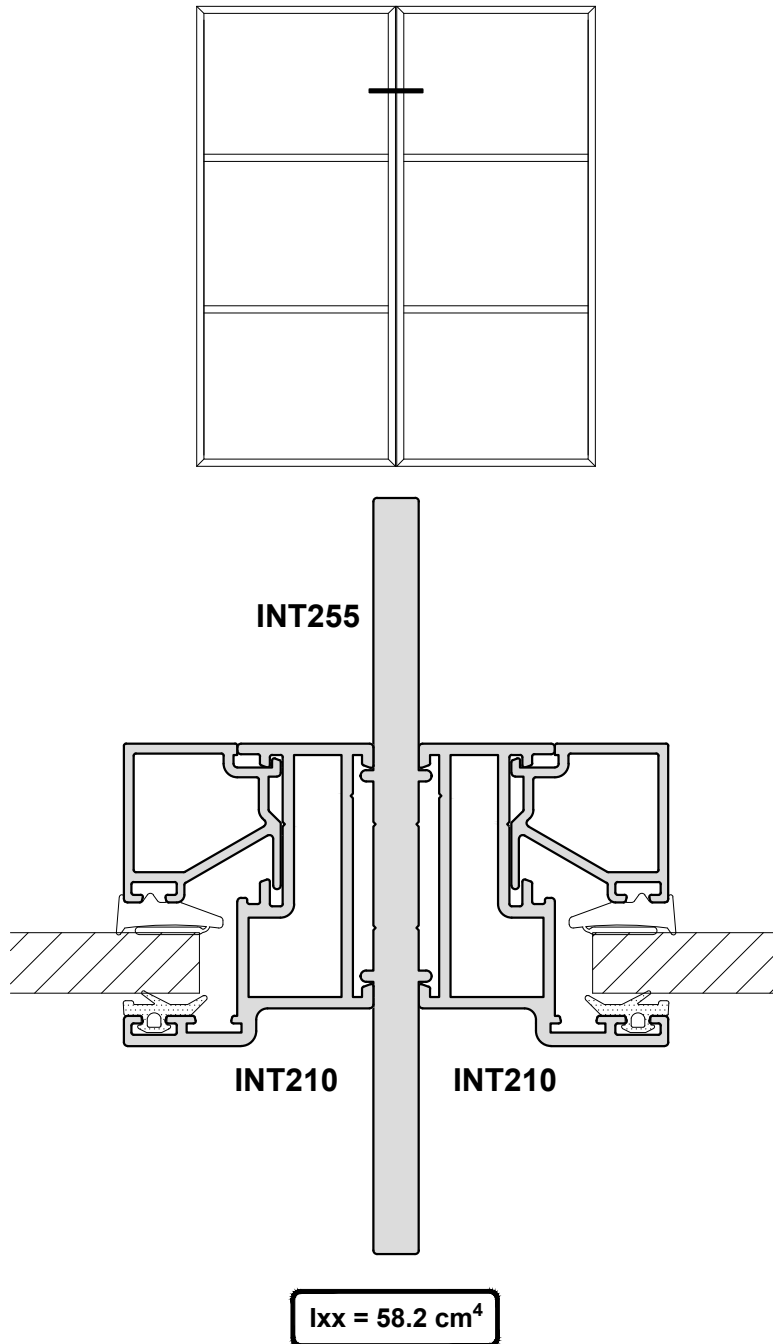
- 2) Determine profile combinations

**Do Not Scale From This Drawing**

STATICS

## Section D

### PROFILE COMBINATIONS - IX - VERTICAL COUPLER : STATICS



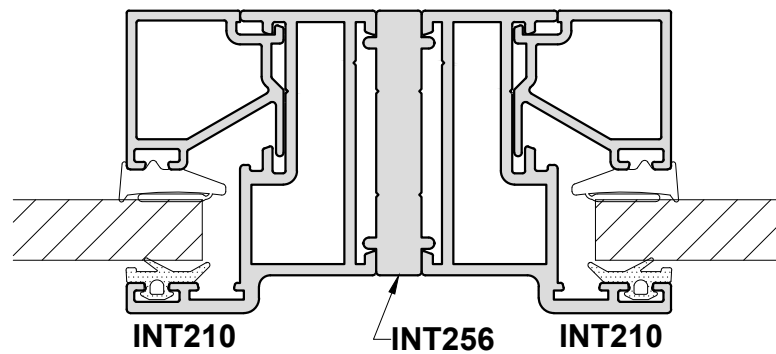
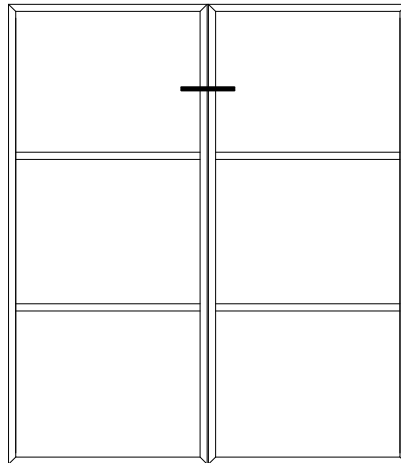
Do Not Scale From This Drawing



STATICS

## Section D

PROFILE COMBINATIONS - IX - VERTICAL COUPLER : STATICS



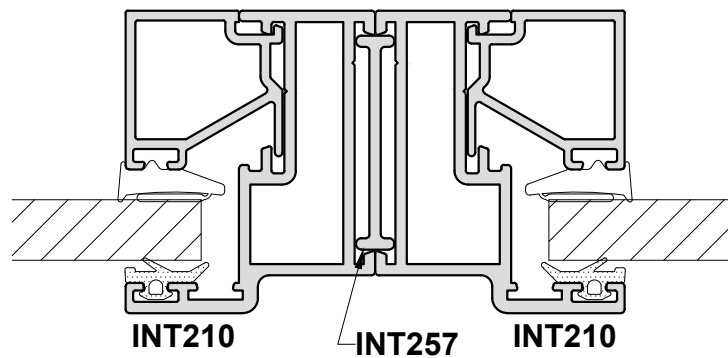
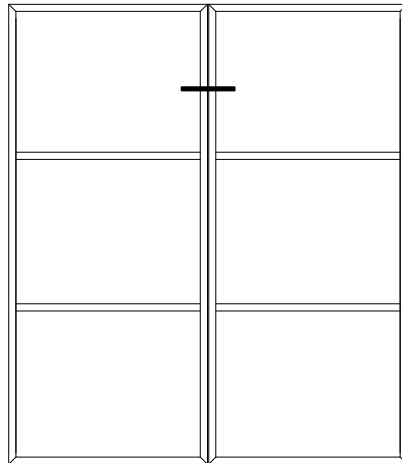
$I_{xx} = 10.4 \text{ cm}^4$

Do Not Scale From This Drawing

STATICS

## Section D

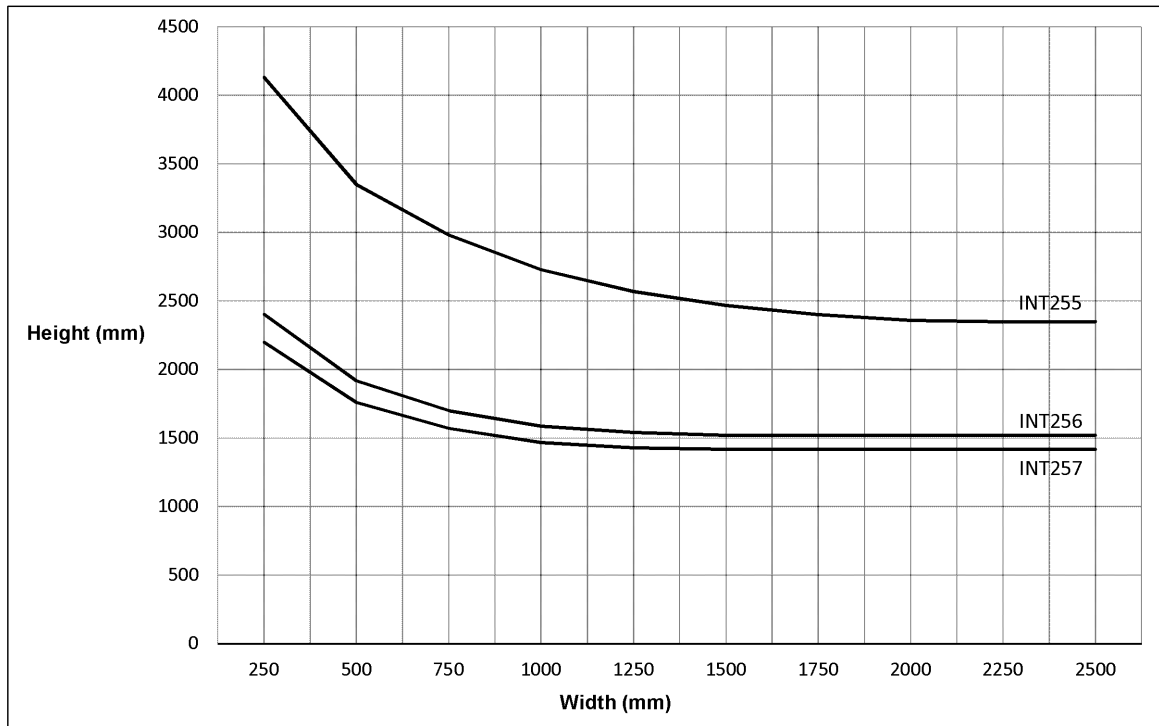
### PROFILE COMBINATIONS - IX - VERTICAL COUPLER : STATICS



$I_{xx} = 8.1 \text{ cm}^4$

**Section D**

**RECOMMENDED DESIGN FIXED SCREENS LIMITATIONS**



**IMPORTANT NOTE:**

Fixed screen sizes are based on a coupler limit at 0.8kN/m.

Size limits can vary depending on application and the category of building.

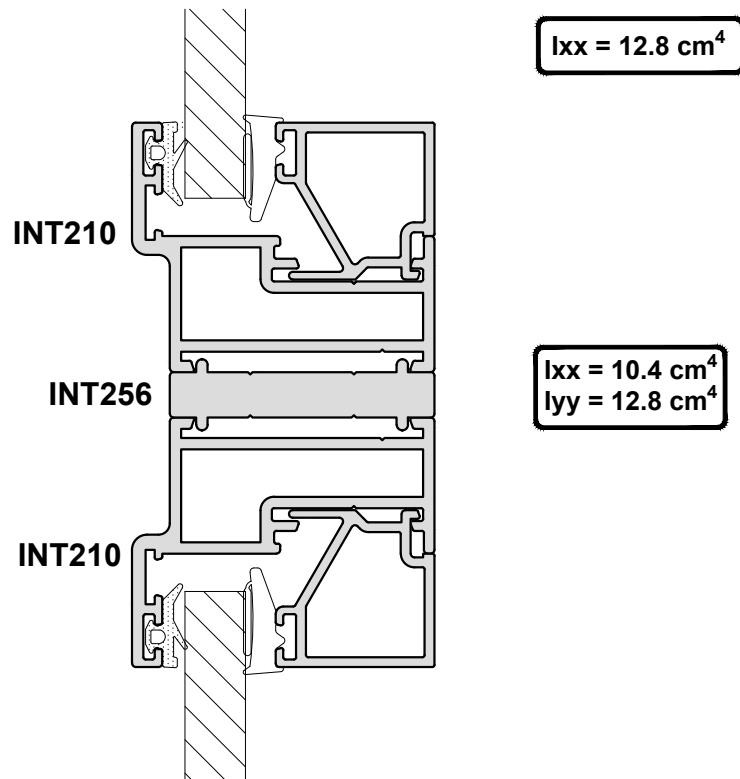
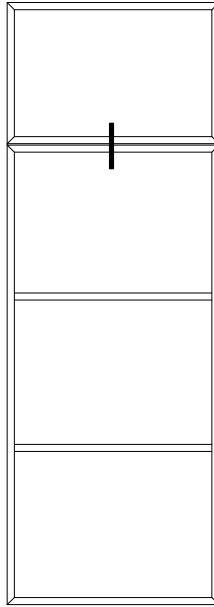
Please refer to Approved Document K and CWCT for further information on the required loading for your project.

For advise on screen sizes outside of the recommended design limitations, please contact the Technical Department at Smart Systems Ltd Tel: 01934 876100

**Do Not Scale From This Drawing**

## Section D

### PROFILE COMBINATIONS - IX - HORIZONTAL COUPLER : STATICS

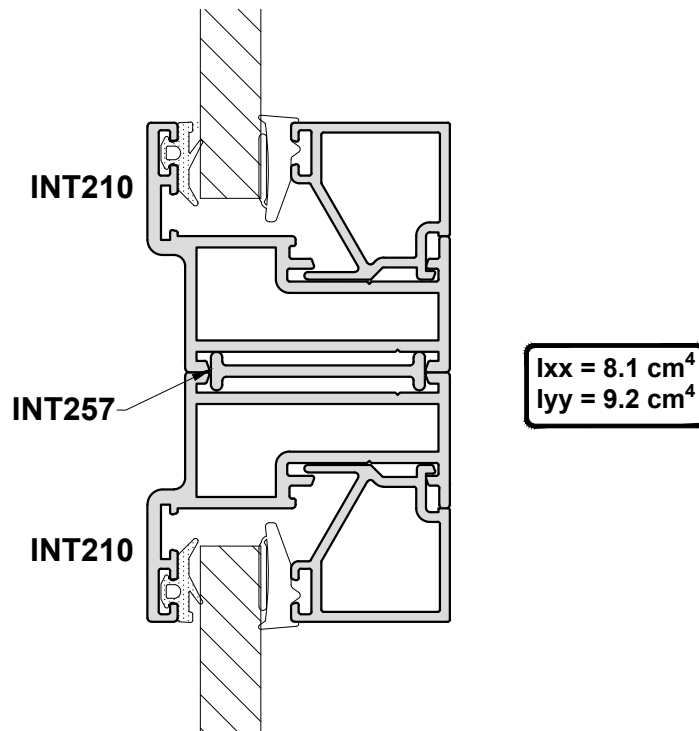
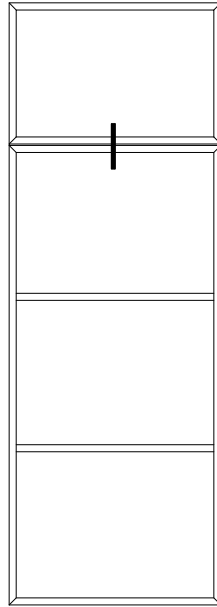


**Do Not Scale From This Drawing**

STATICS

## Section D

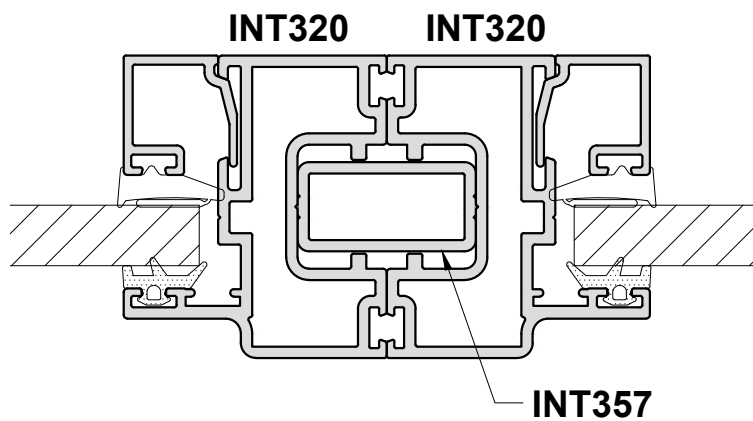
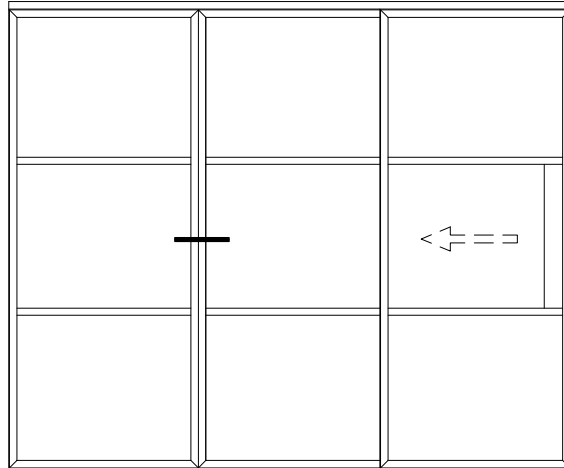
PROFILE COMBINATIONS - IX - HORIZONTAL COUPLER : STATICS



Do Not Scale From This Drawing

## Section D

### PROFILE COMBINATIONS - IX - VERTICAL COUPLER : STATICS



$I_{xx} = 9.6 \text{ cm}^4$

**Do Not Scale From This Drawing**

**Section E**



**Construction Drawings**

|   |           |
|---|-----------|
| Corner Joint Details.....                                       | E03       |
| Crimping Details.....   | E04 - E05 |
| Transom Details.....  | E06 - E07 |
| Deep Bottom Rail Details.....                                   | E08       |
| Hinged Door Lock Preparation.....                               | E09       |
| Pivot Door Lock Preparation.....                                | E10       |
| Open In Door Hinge Details.....                                 | E11       |
| Open In Double Door - Bottom Detail.....                        | E12       |
| Open In Double Door - Top Detail.....                           | E14       |
| Sliding Door - Roller Fixing.....                               | E14       |
| Pivot Door - ACSIN201 Preparation & Fixing (Top Detail).....    | E15       |
| Pivot Door - ACSIN201 Preparation & Fixing (Bottom Detail)..... | E16       |
| Glazing Details - Fixed Screens, Hinged & Sliding Doors.....    | E17       |
| Glazing Details - Pivot Doors.....                              | E18       |





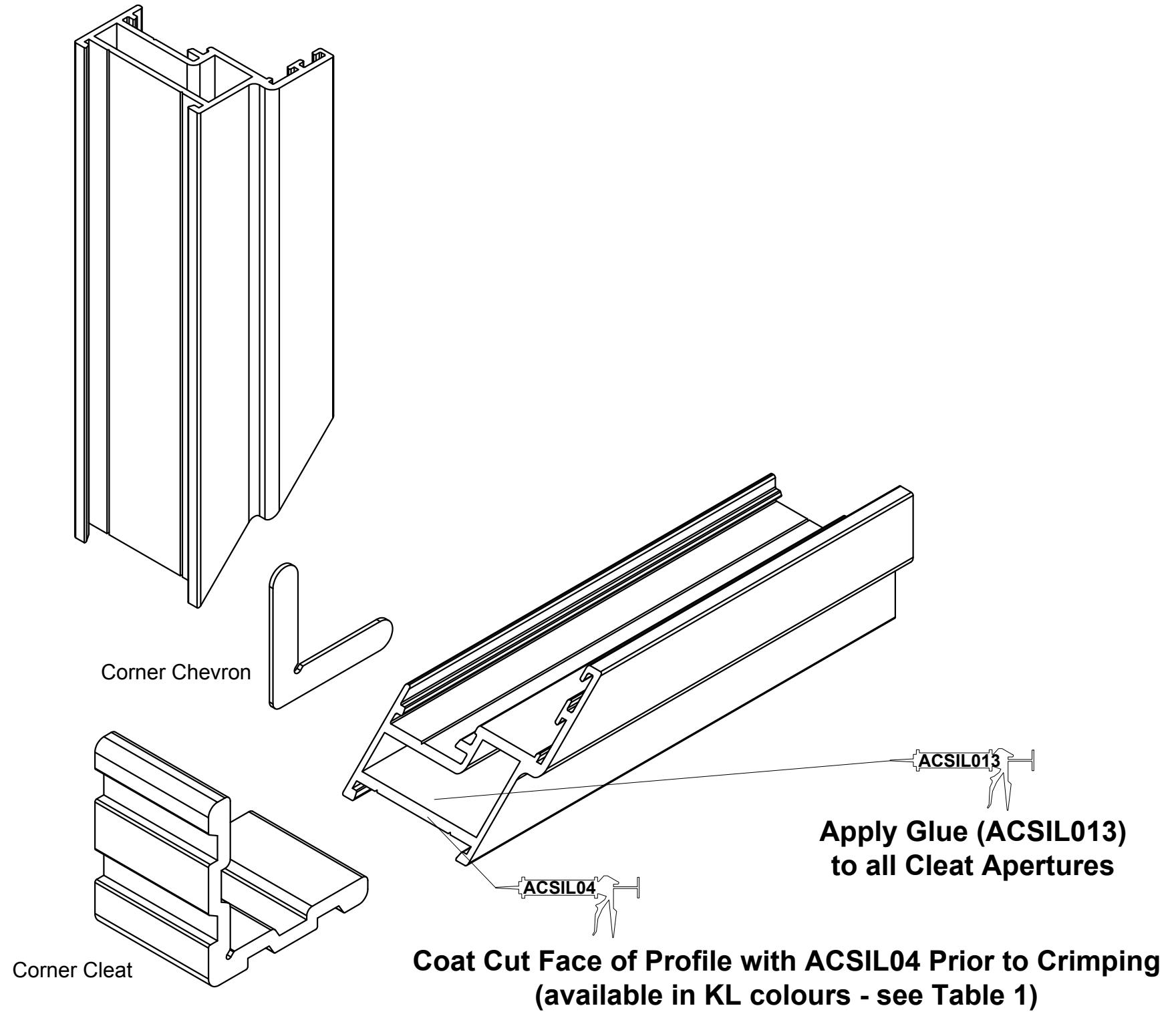
**Corner Joint Details**

**Notes**

1. Degrease mitre sections
2. Cover mitred faces with ACSIL04
3. Apply ACSIL013 to cleat chamber

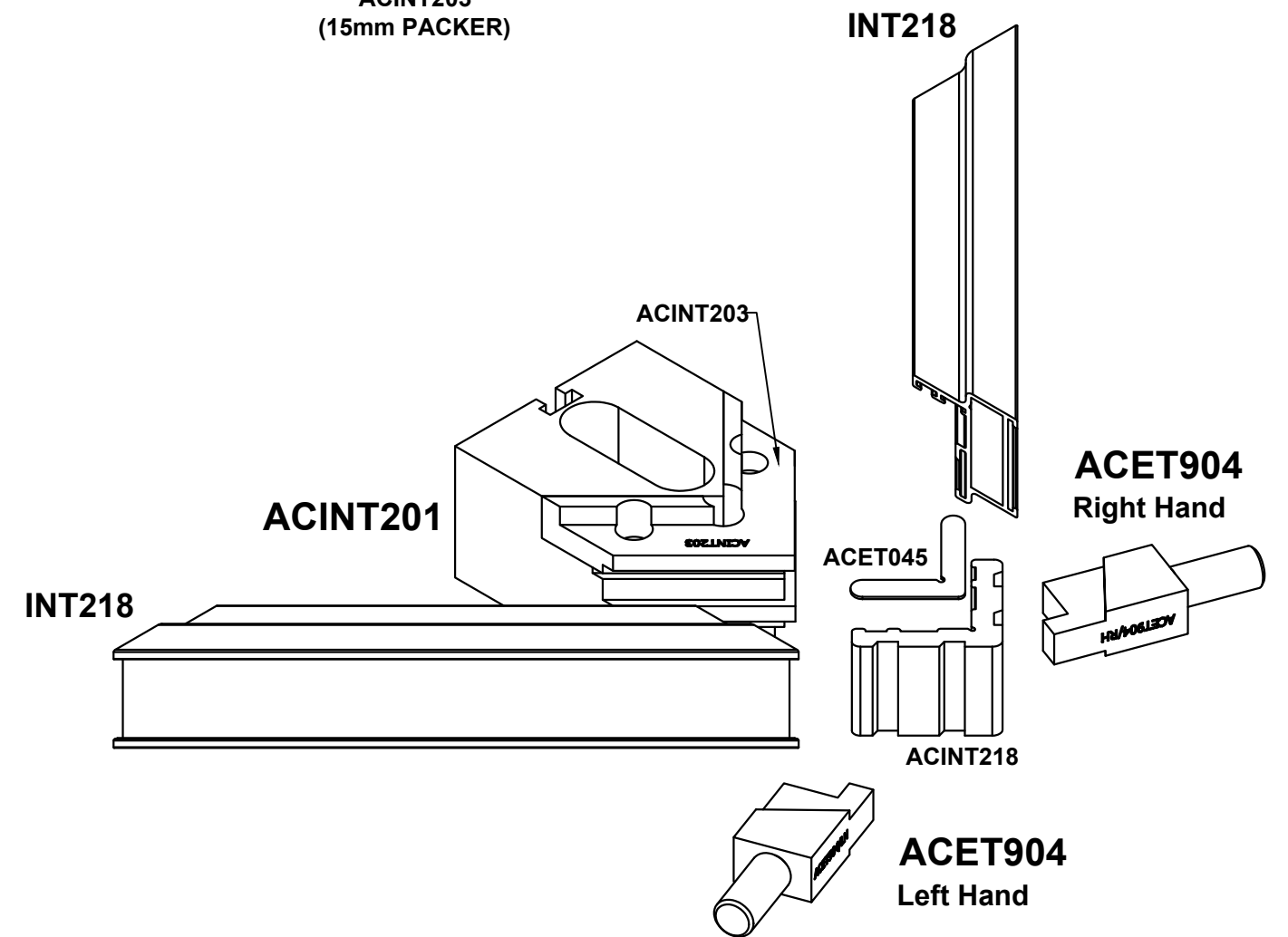
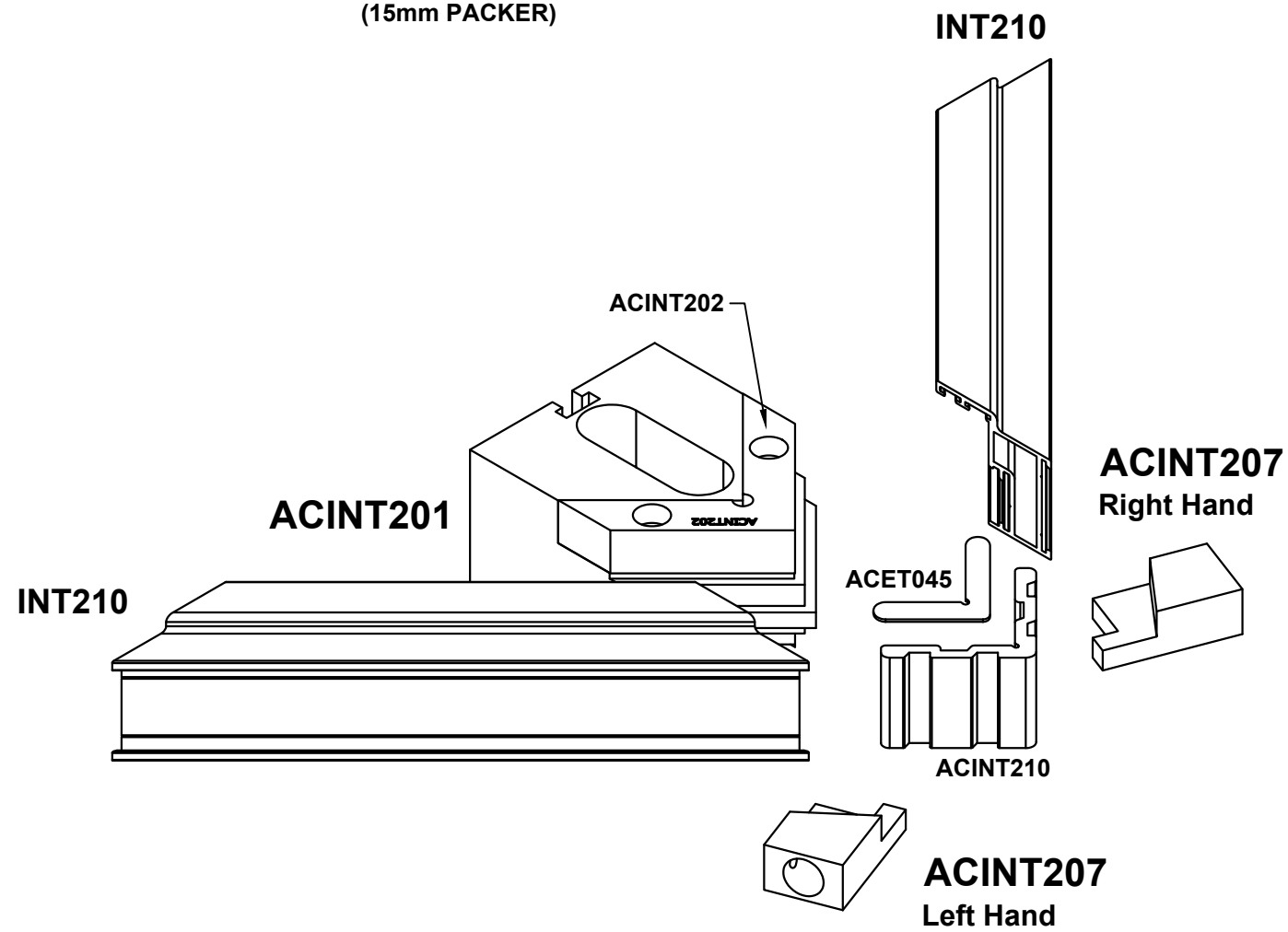
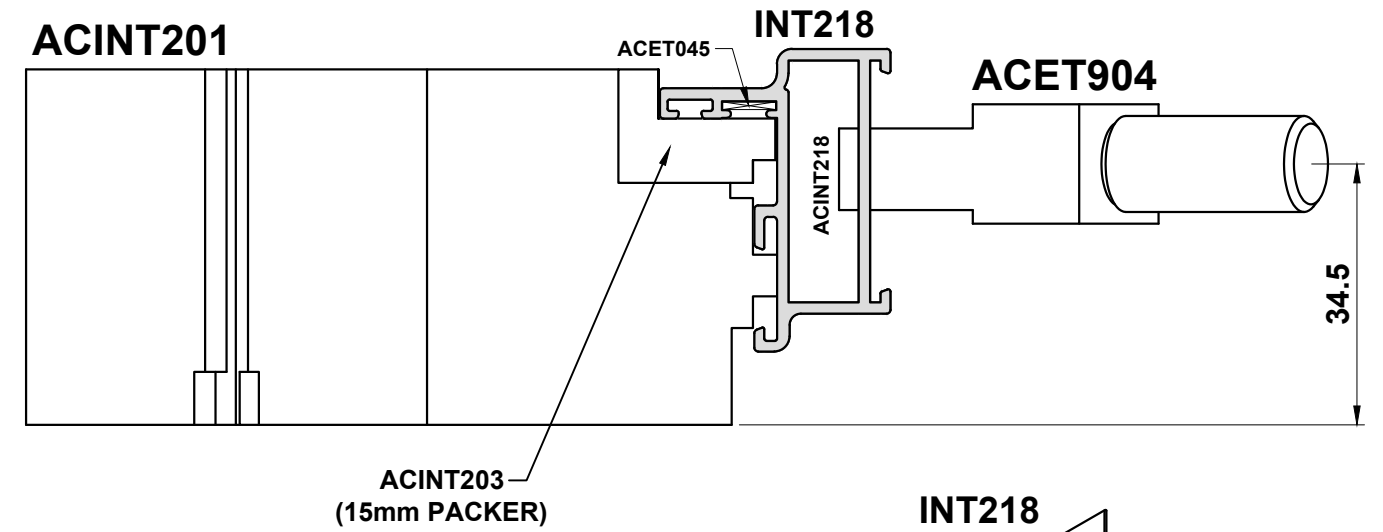
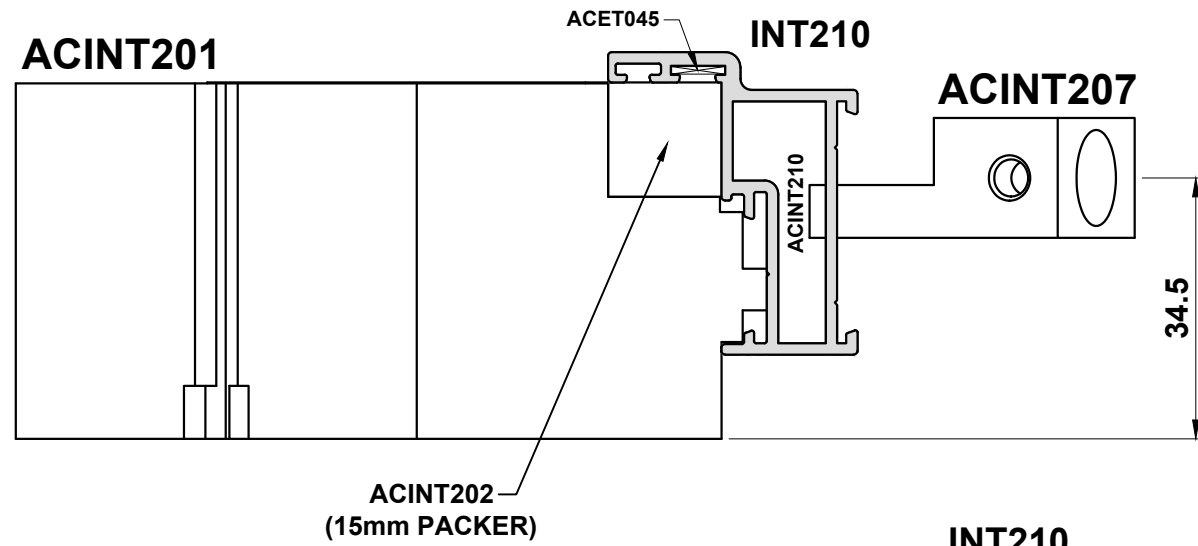
**Table 1**

| KL Colour | Sealant Part Number |
|-----------|---------------------|
| Black     | ACSIL04BL           |
| White     | ACSIL04WP           |
| Clear     | ACSIL04CL           |
| KL001     | ACSIL04KL001        |
| KL002     | ACSIL04KL002        |
| KL003     | ACSIL04KL003        |
| KL004     | ACSIL04KL004        |
| KL005     | ACSIL04KL005        |
| KL006     | ACSIL04KL006        |
| KL007     | ACSIL04KL007        |
| KL010     | ACSIL04KL010        |
| KL011     | ACSIL04KL011        |
| KL012     | ACSIL04KL012        |
| KL013     | ACSIL04KL013        |



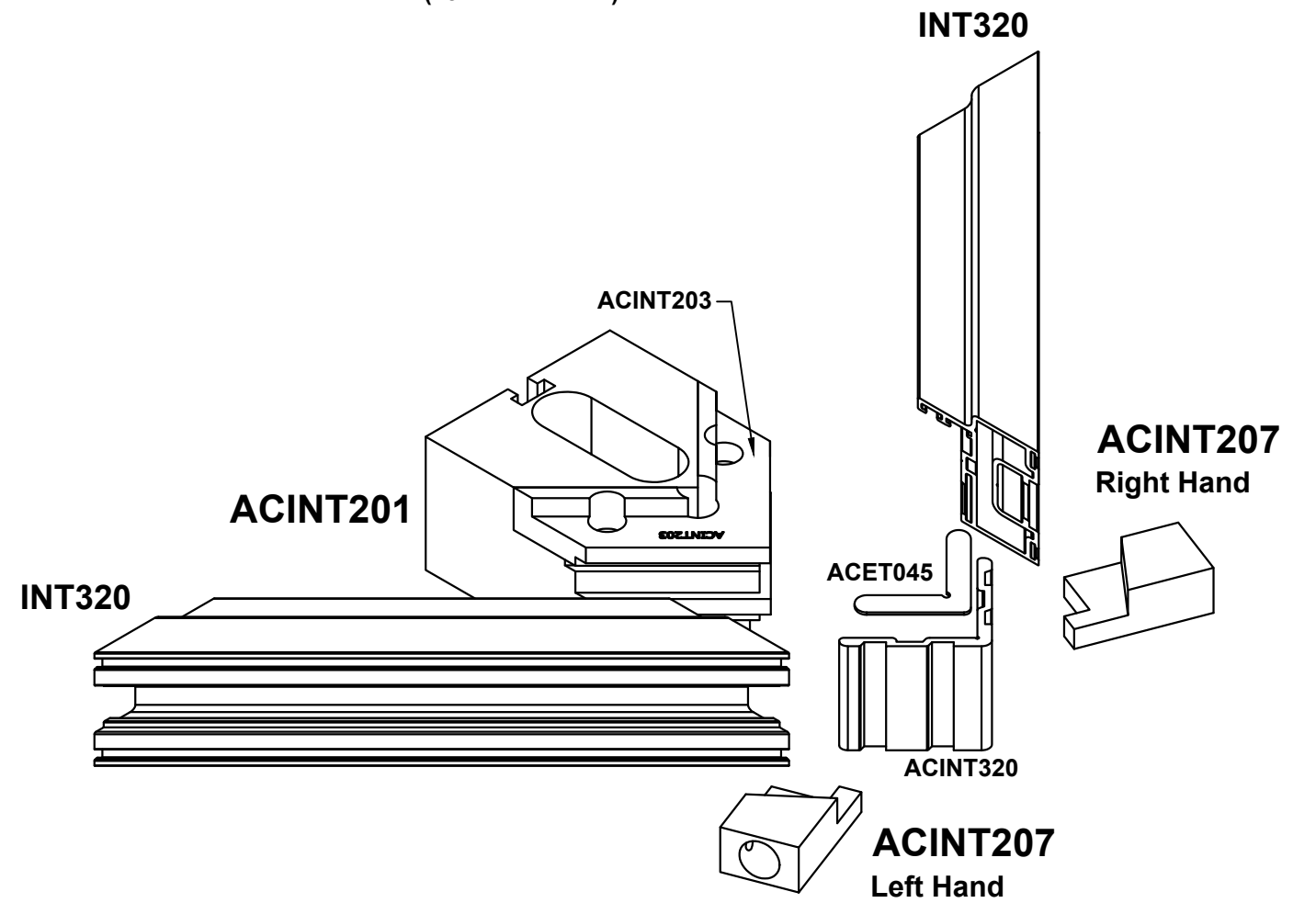
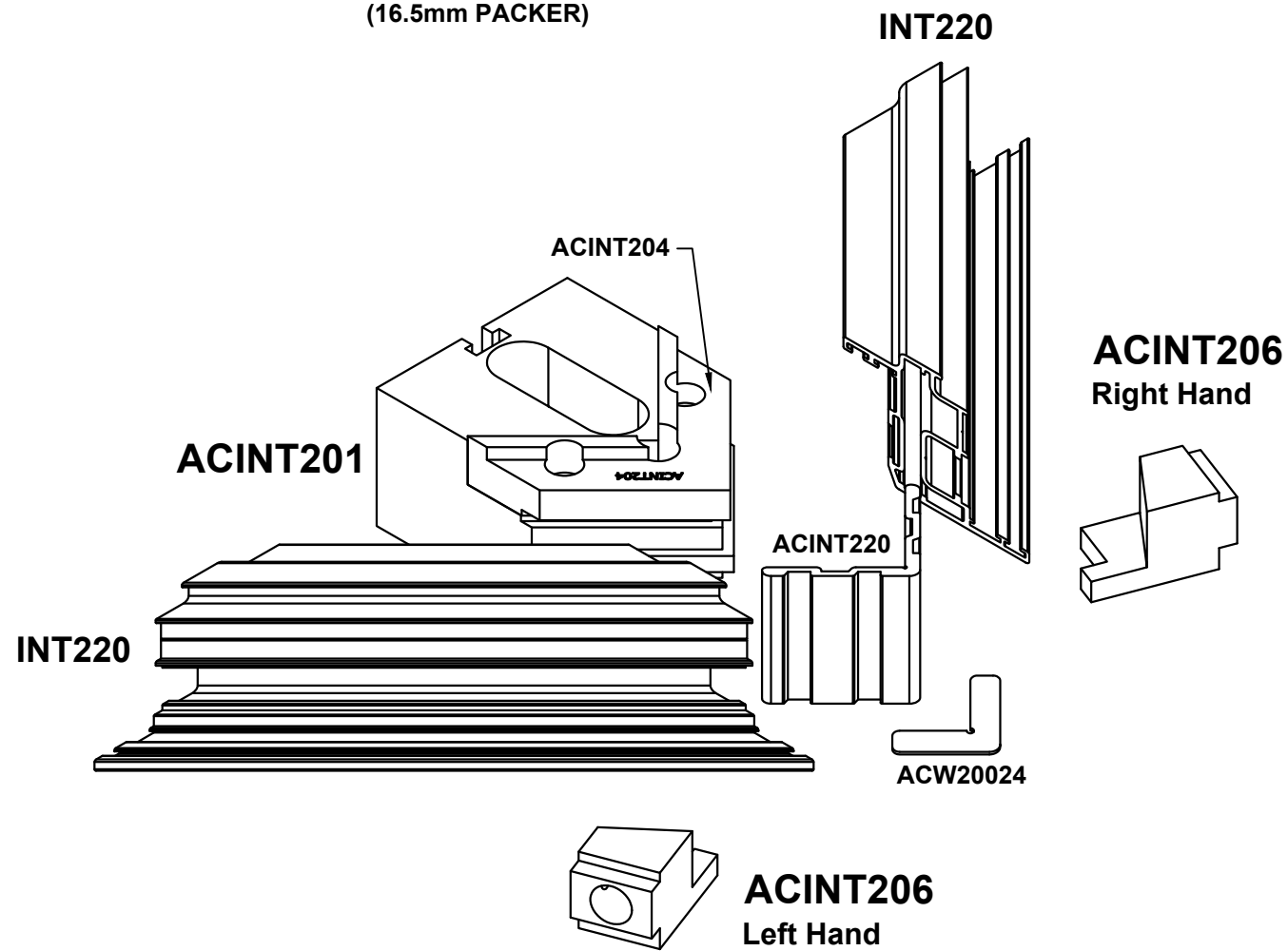
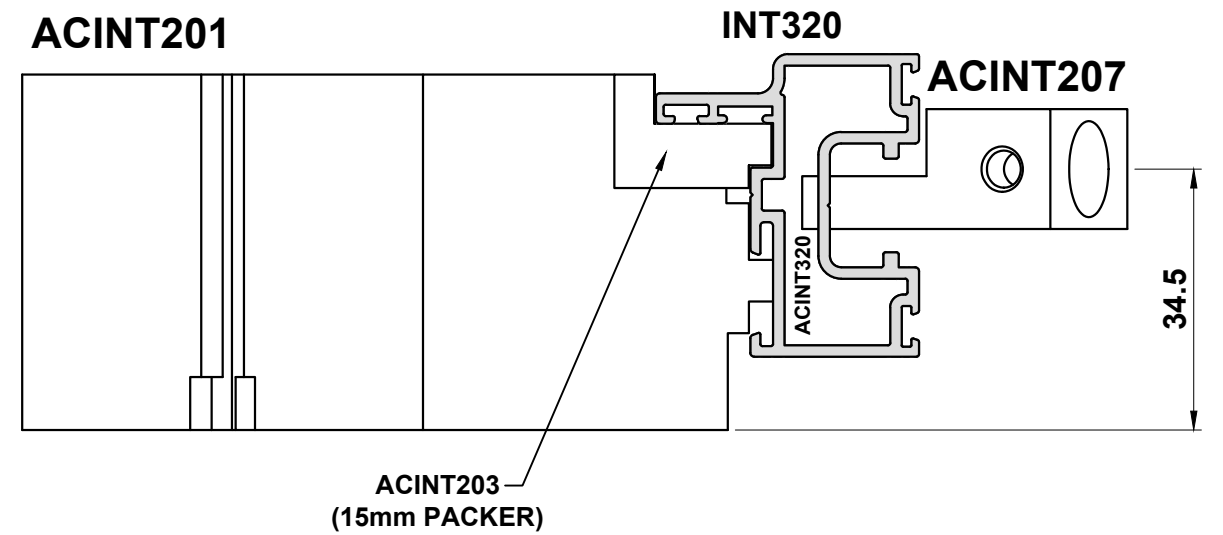
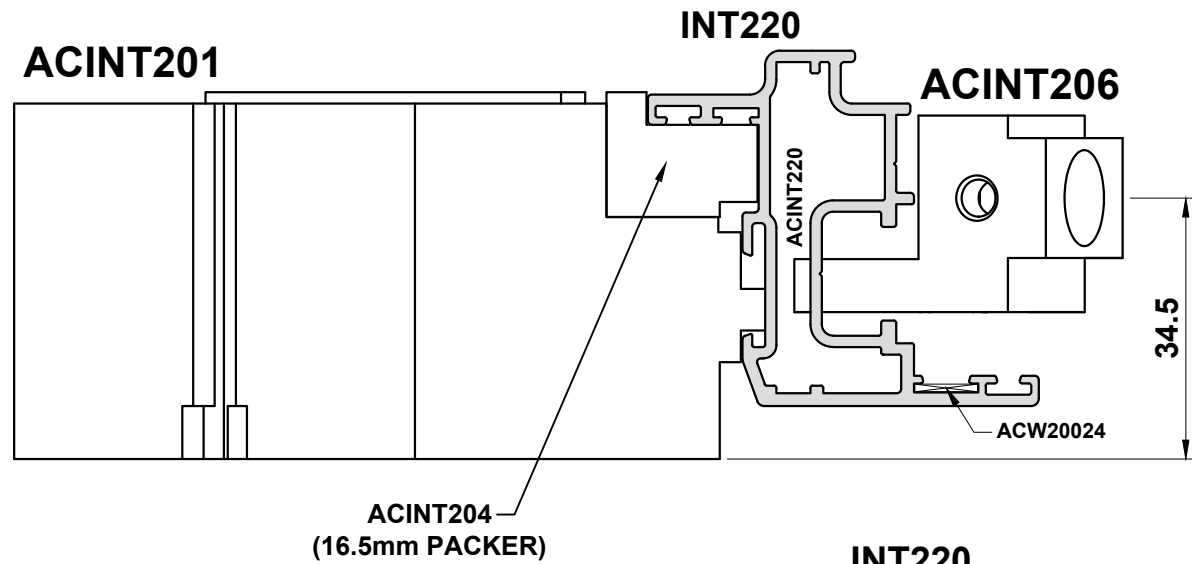
Do Not Scale From This Drawing

**Crimping Details**



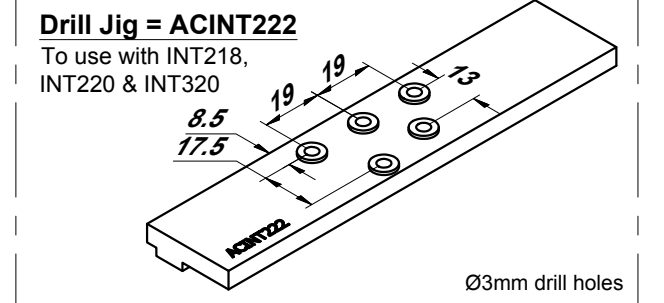
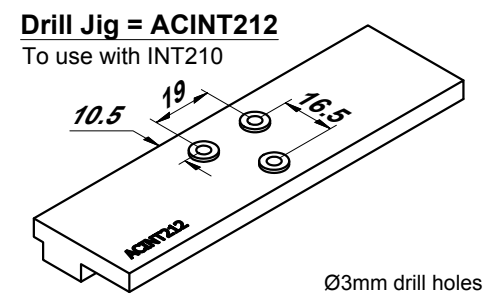
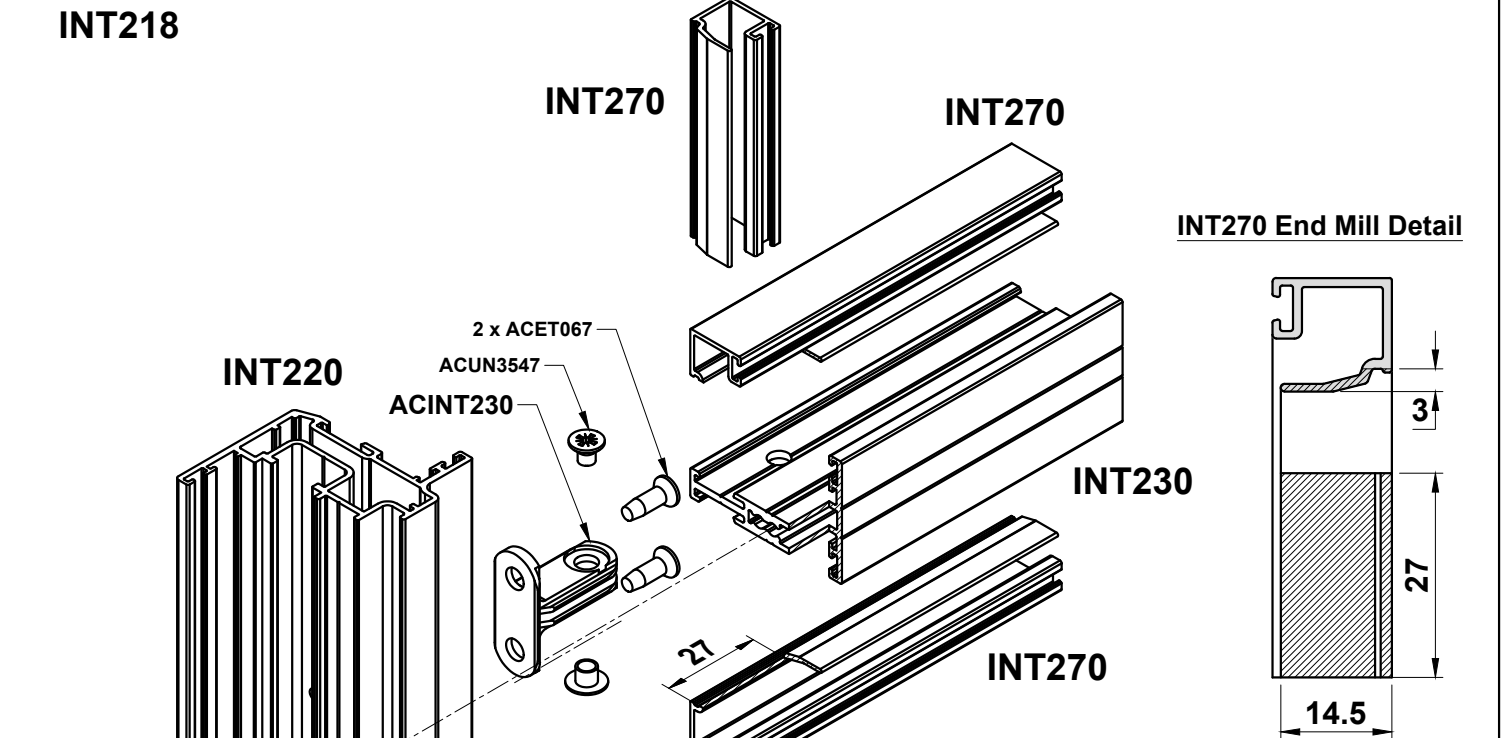
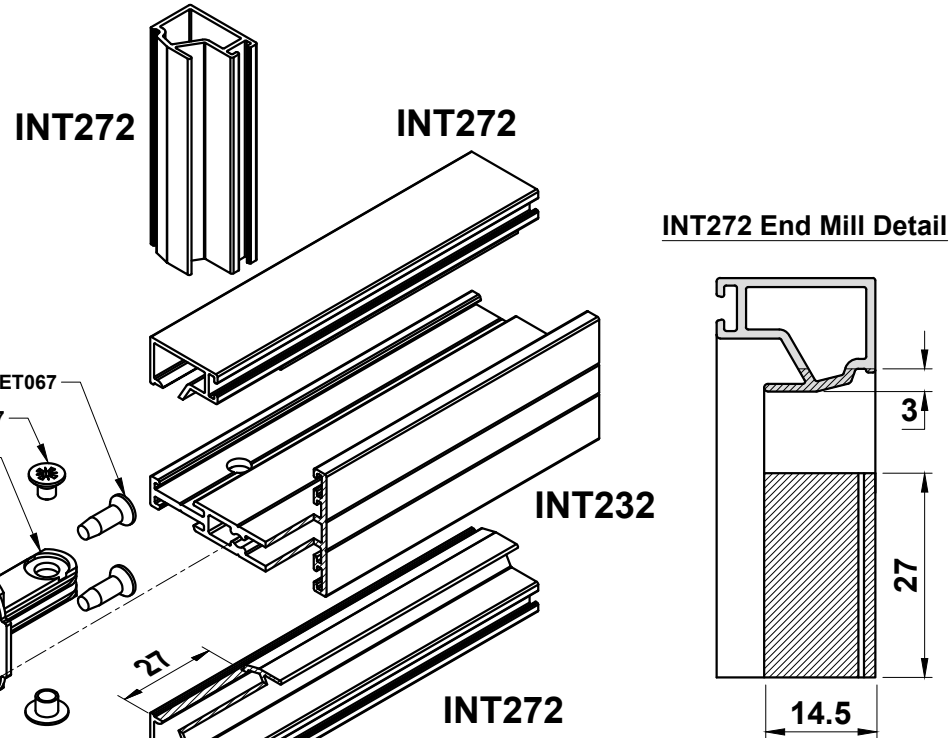
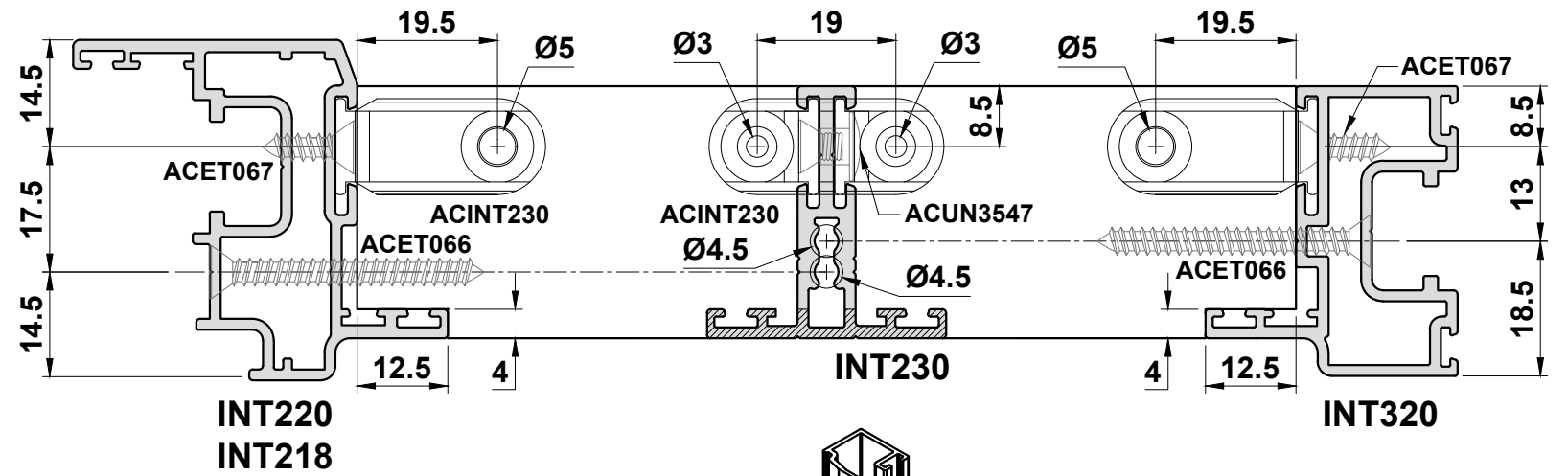
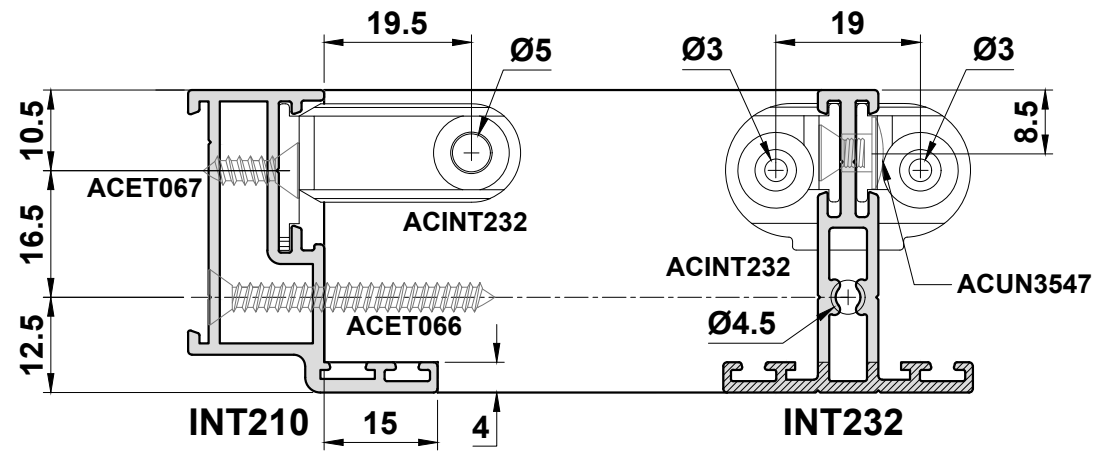
Do Not Scale From This Drawing

**Crimping Details**



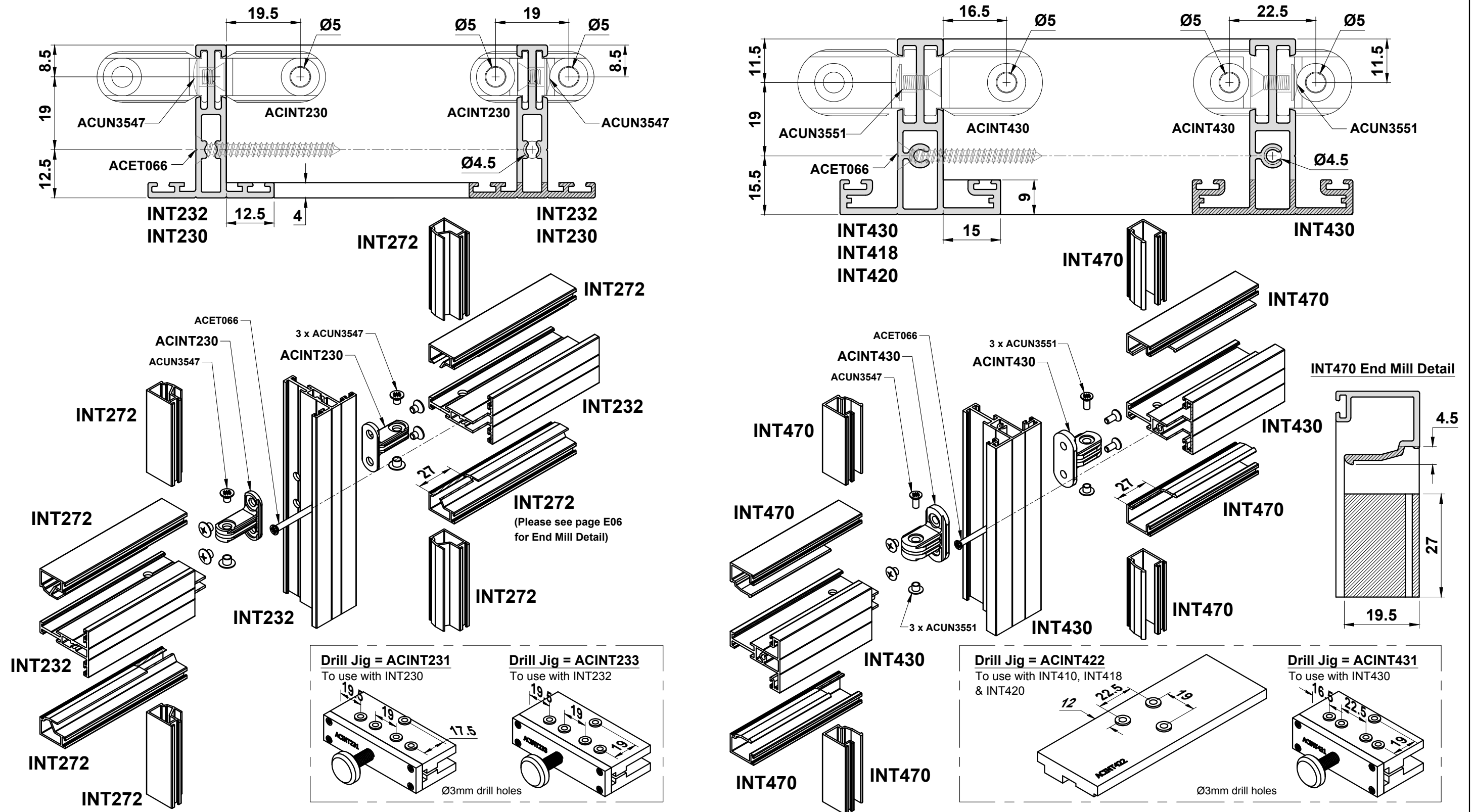
Do Not Scale From This Drawing

Transom Detail



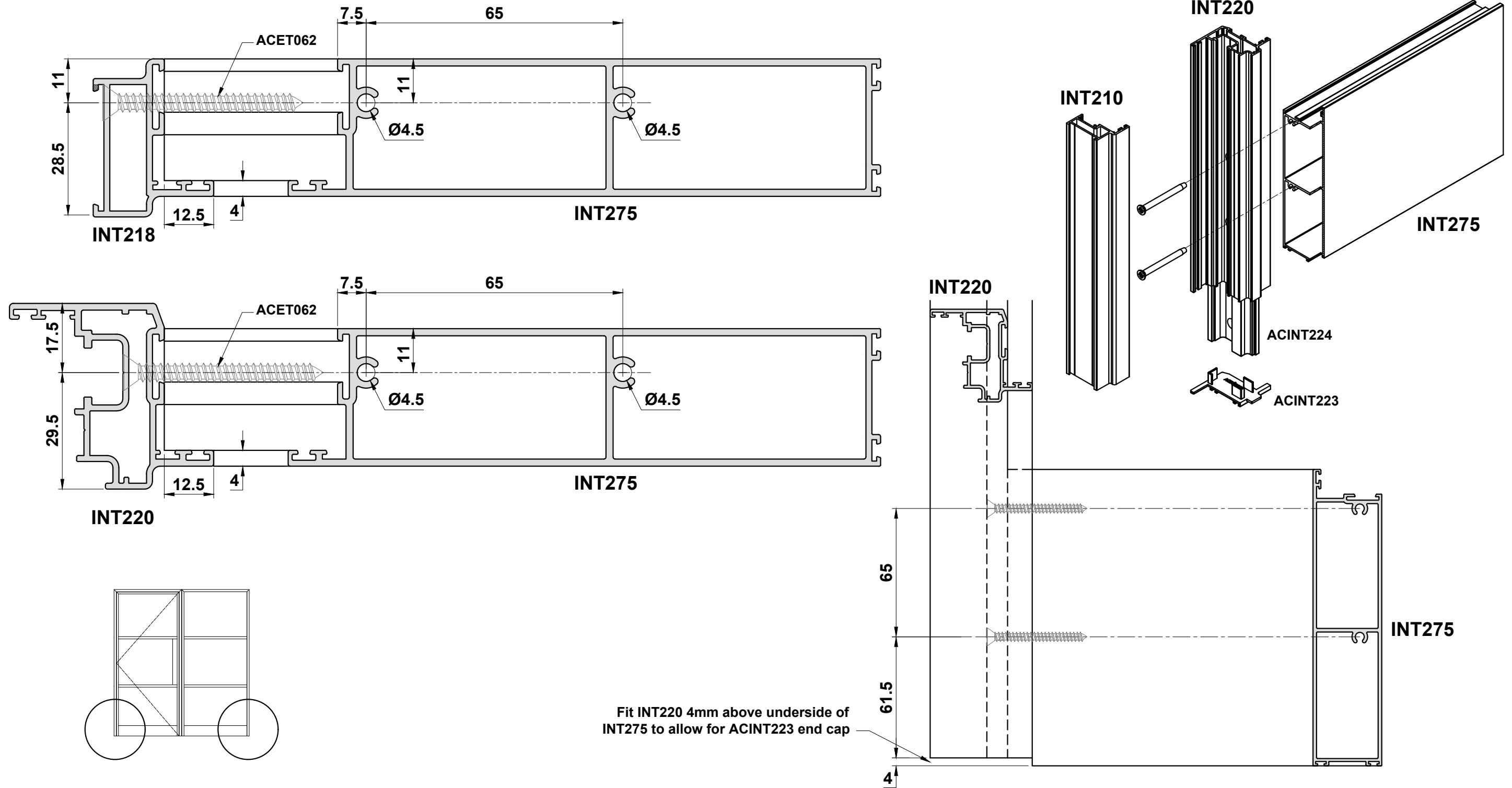
Do Not Scale From This Drawing

Sash / Transom - Transom Detail



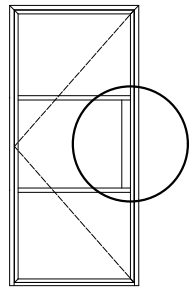
Do Not Scale From This Drawing

Deep Bottom Rail Detail

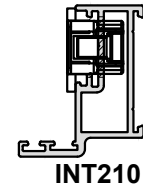
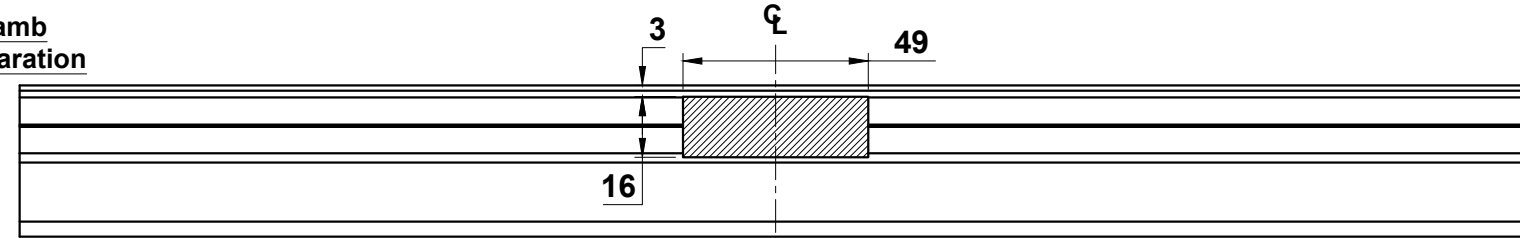


Do Not Scale From This Drawing

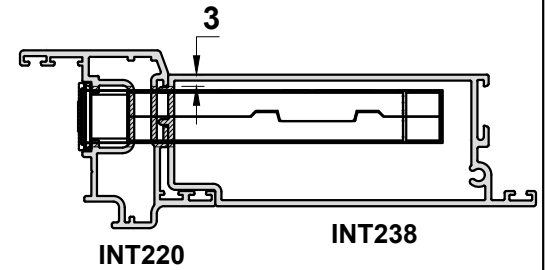
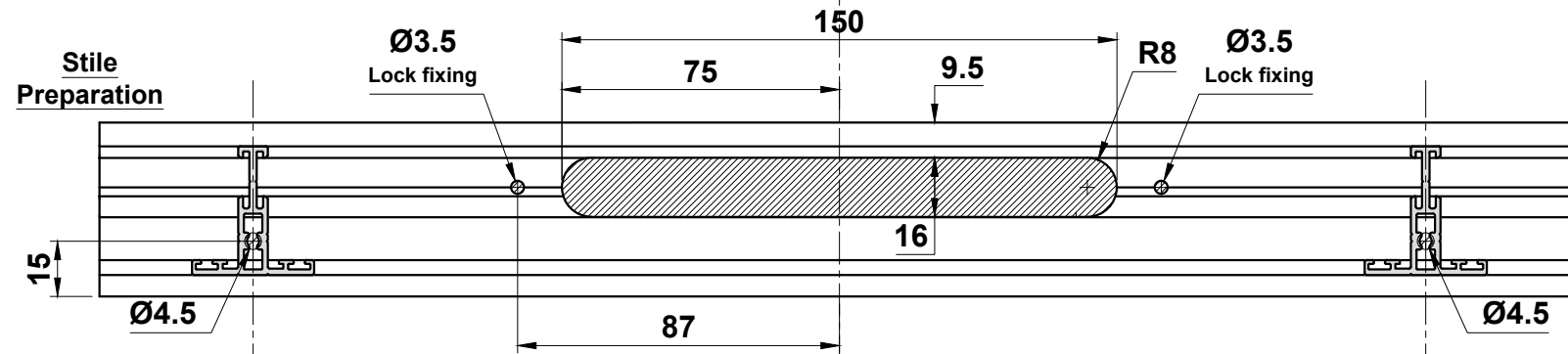
Hinged Door Lock Preparation



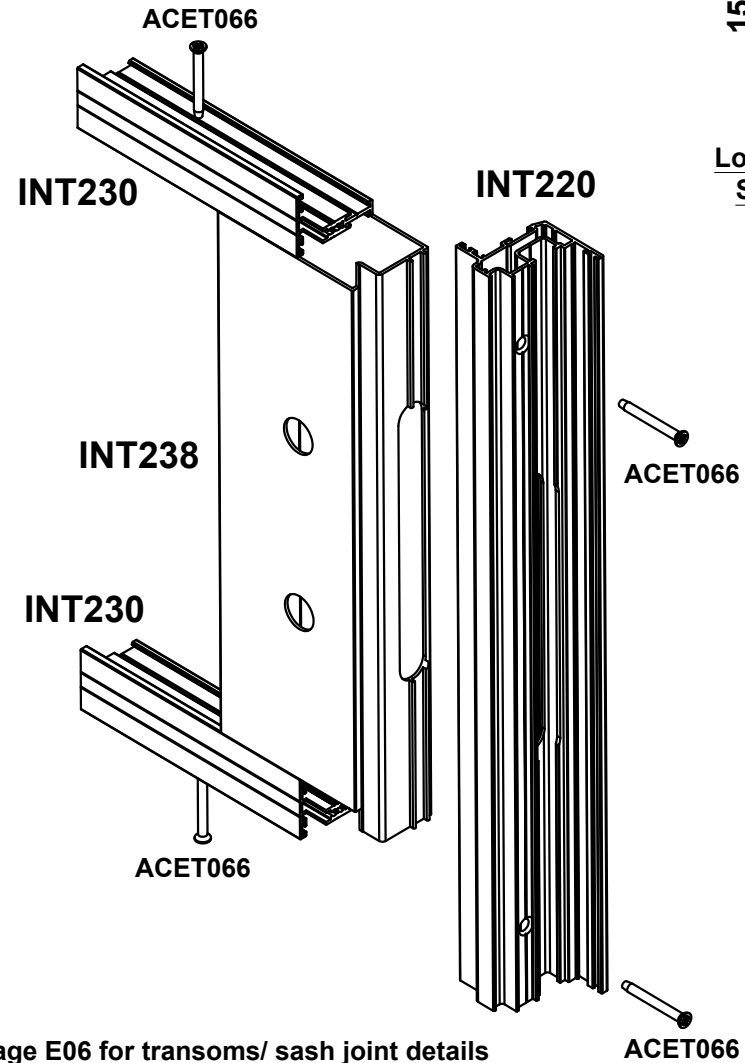
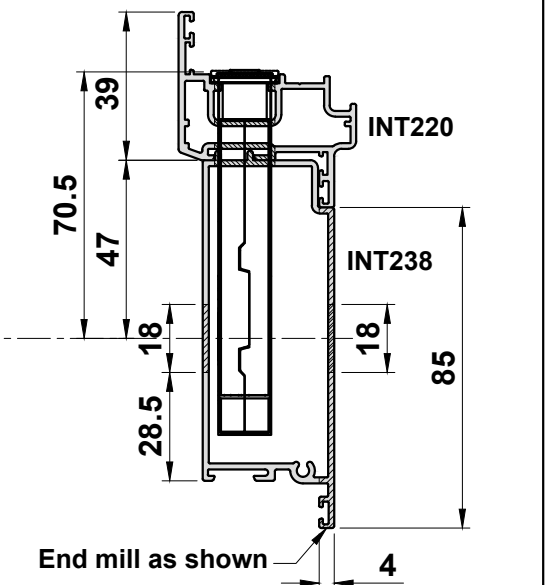
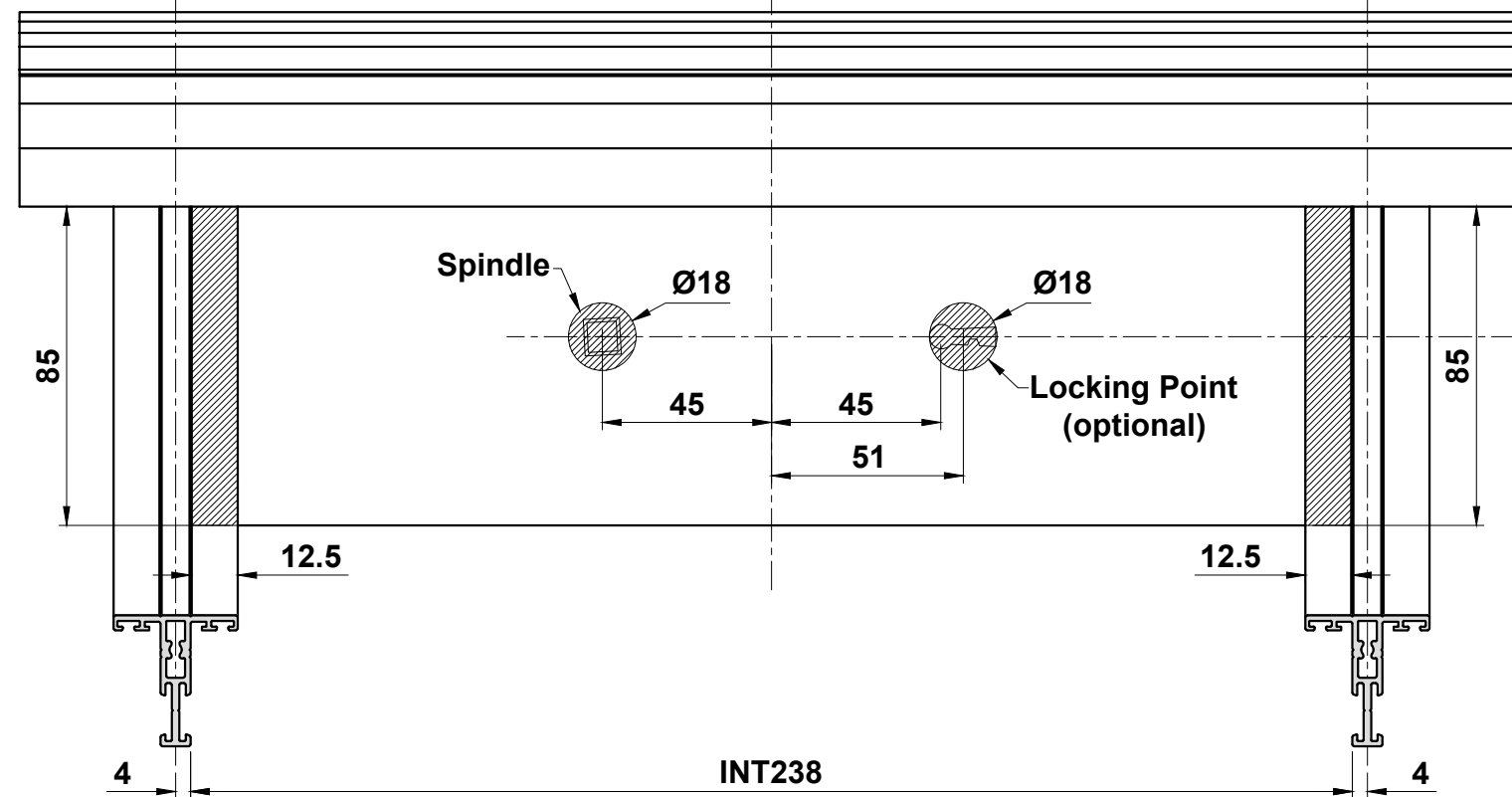
Jamb Preparation



Stile Preparation



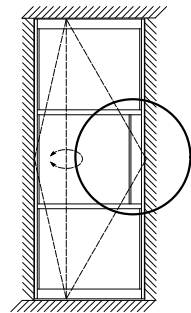
Lock Body & Stile Prep



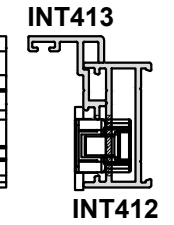
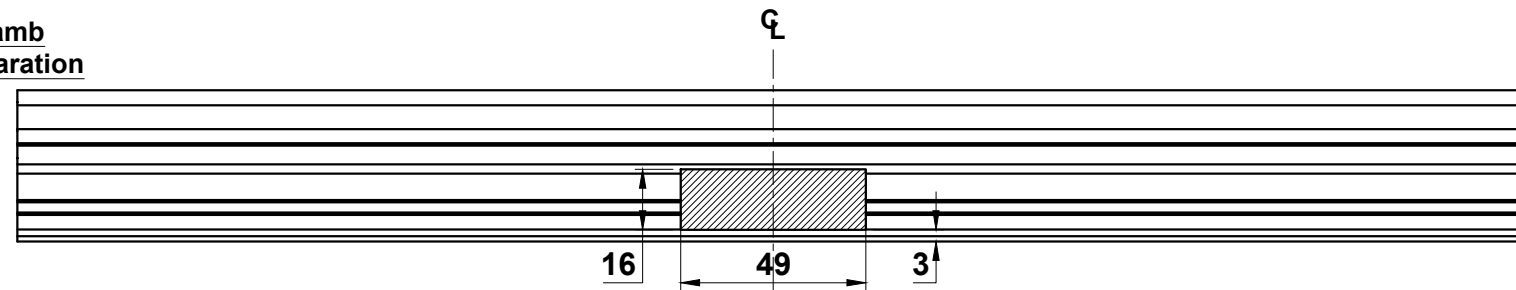
See page E06 for transoms/ sash joint details

Do Not Scale From This Drawing

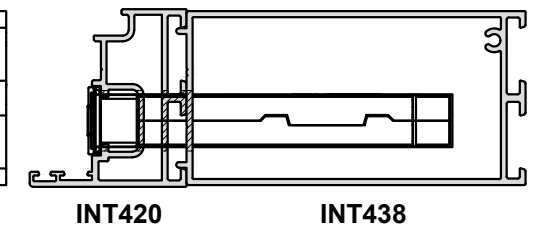
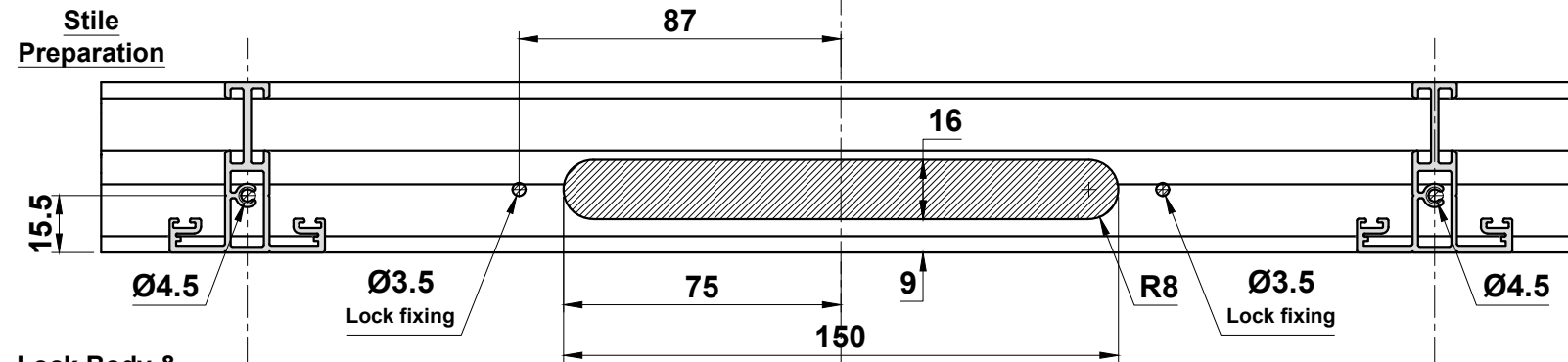
Pivot Door Lock Preparation



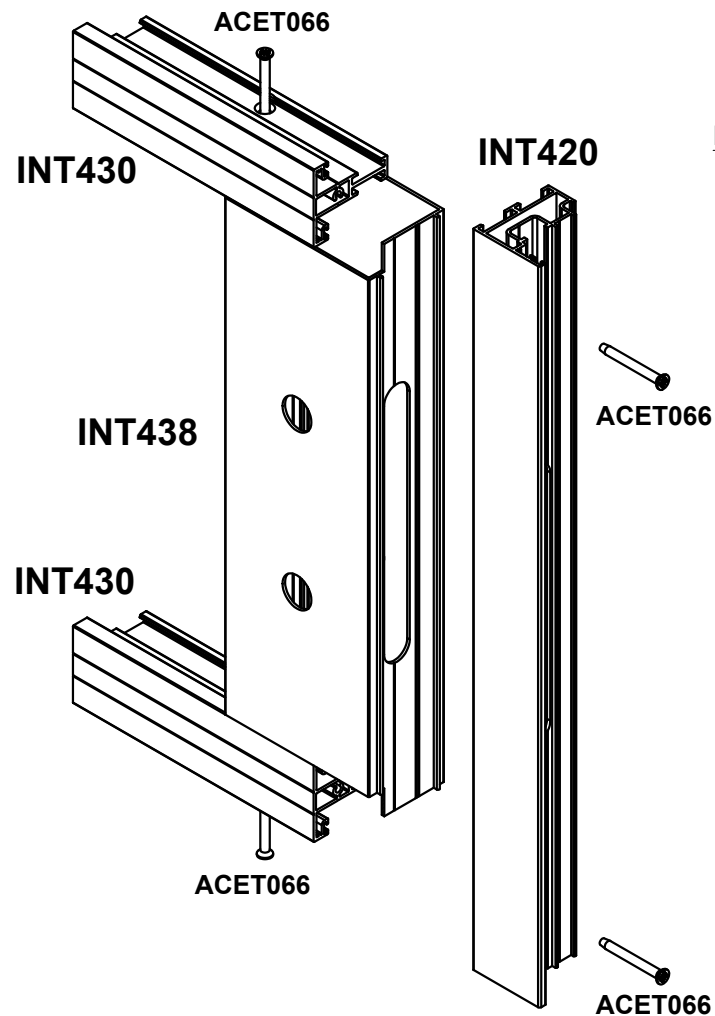
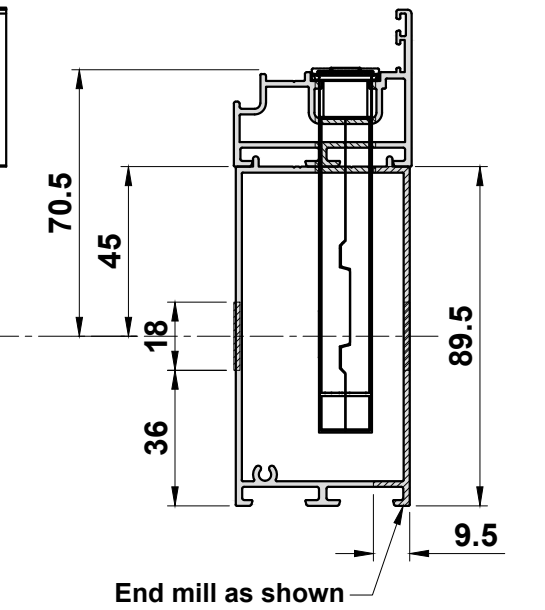
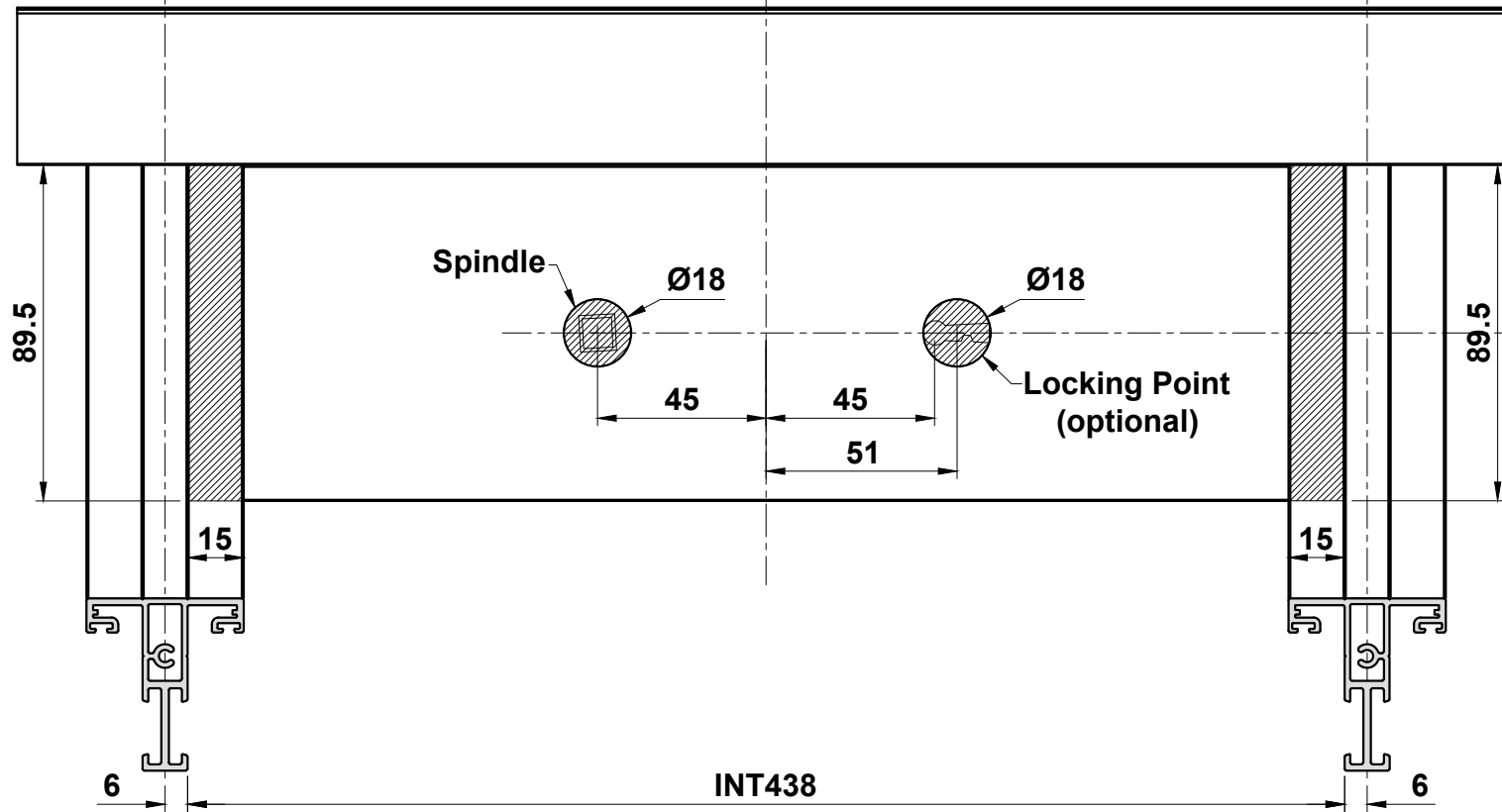
Jamb Preparation



Stile Preparation



Lock Body & Stile Prep



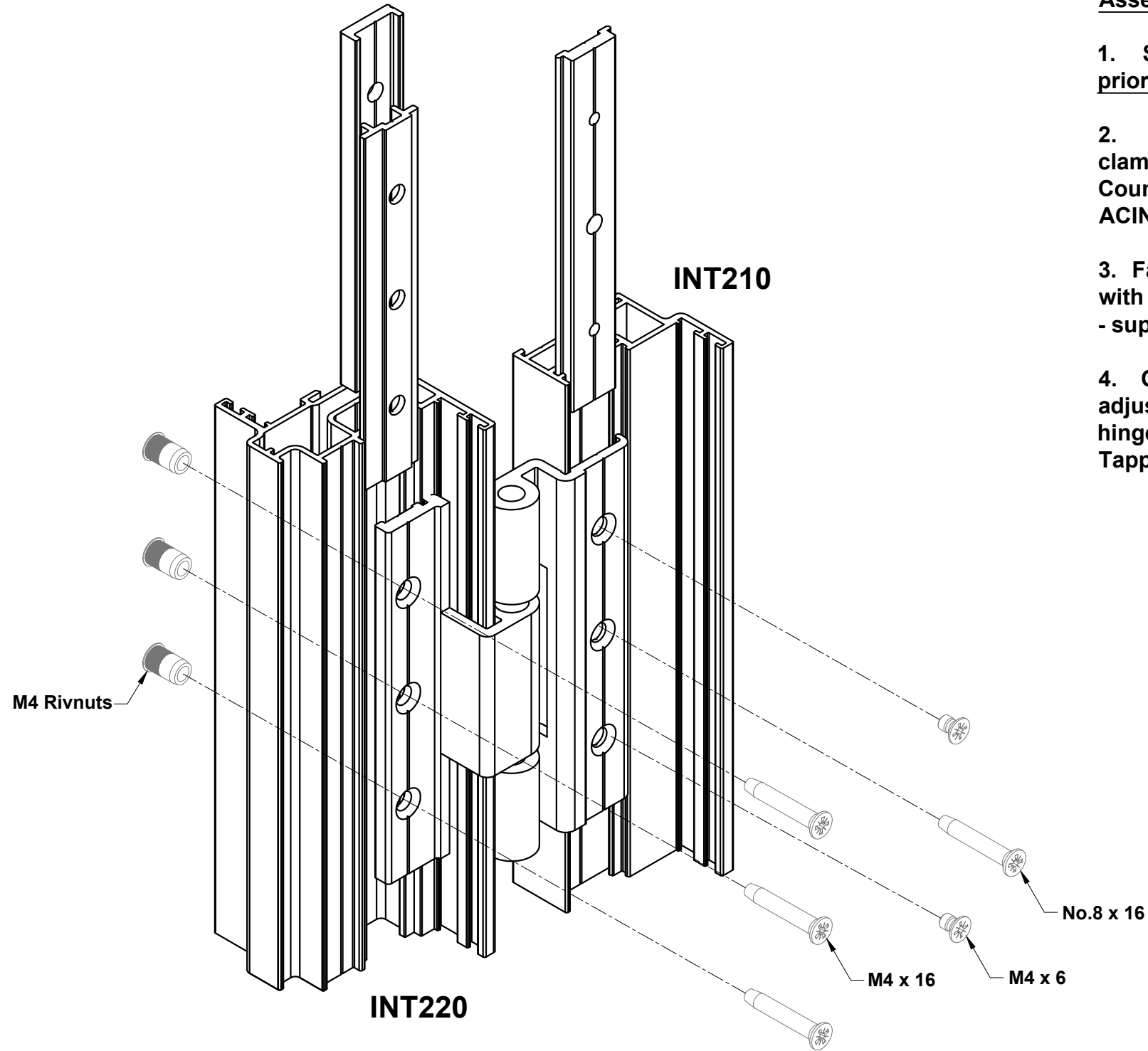
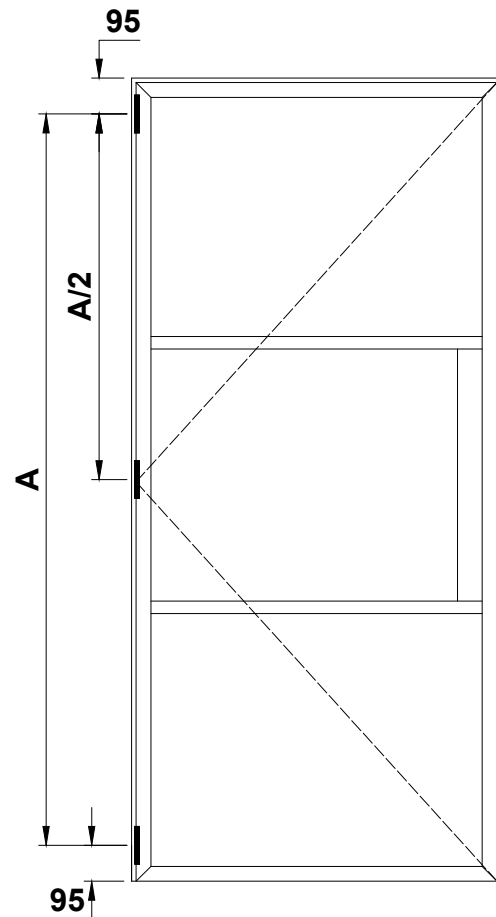
See page E06 for transoms/ sash joint details

Do Not Scale From This Drawing



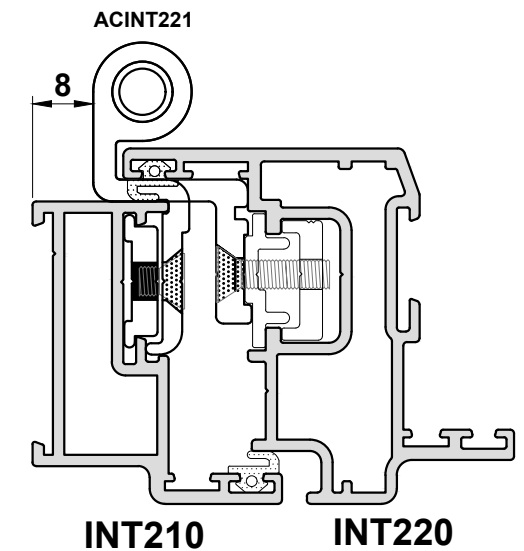
Open In Door Hinge Details

Recommended hinge positions



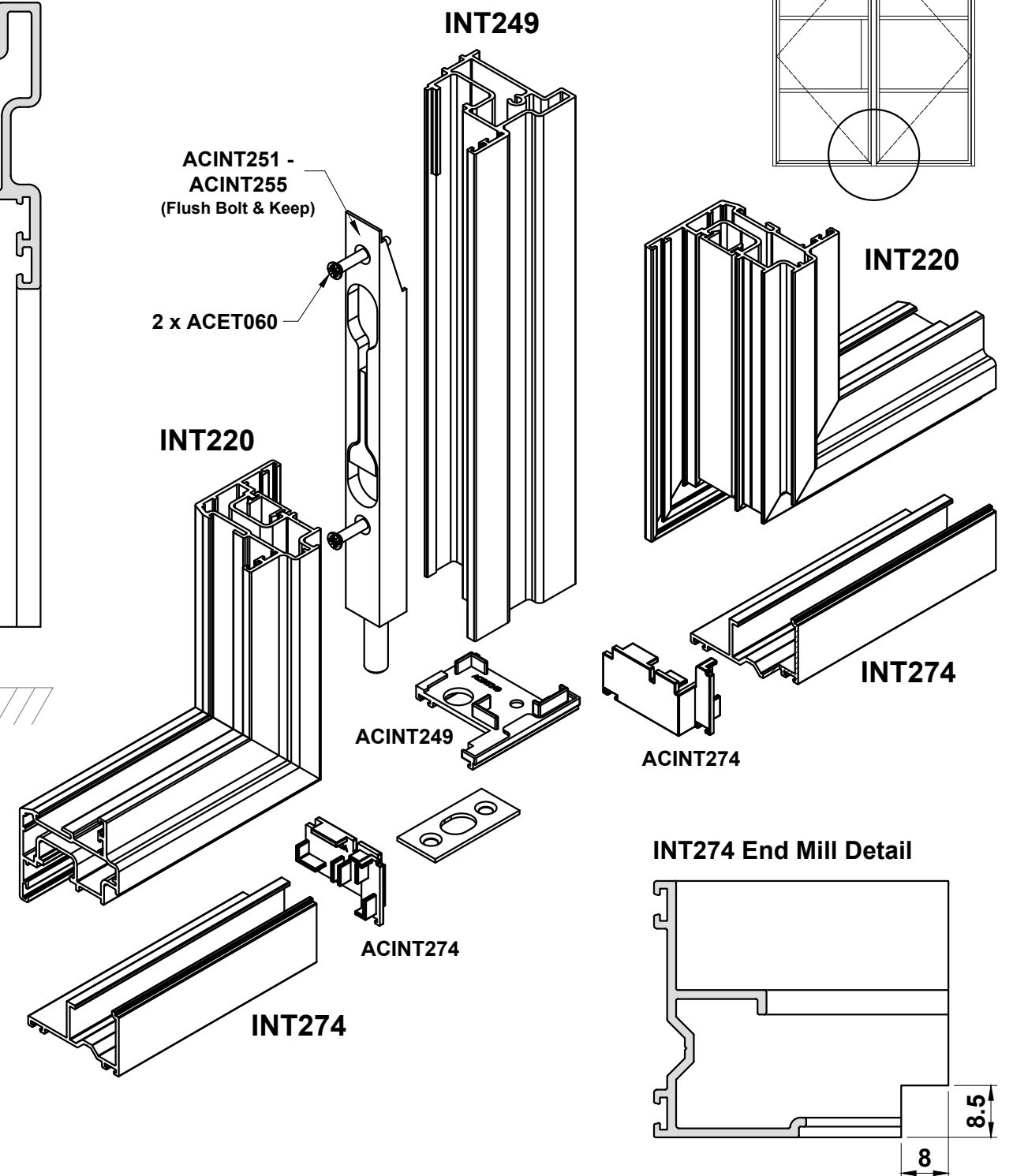
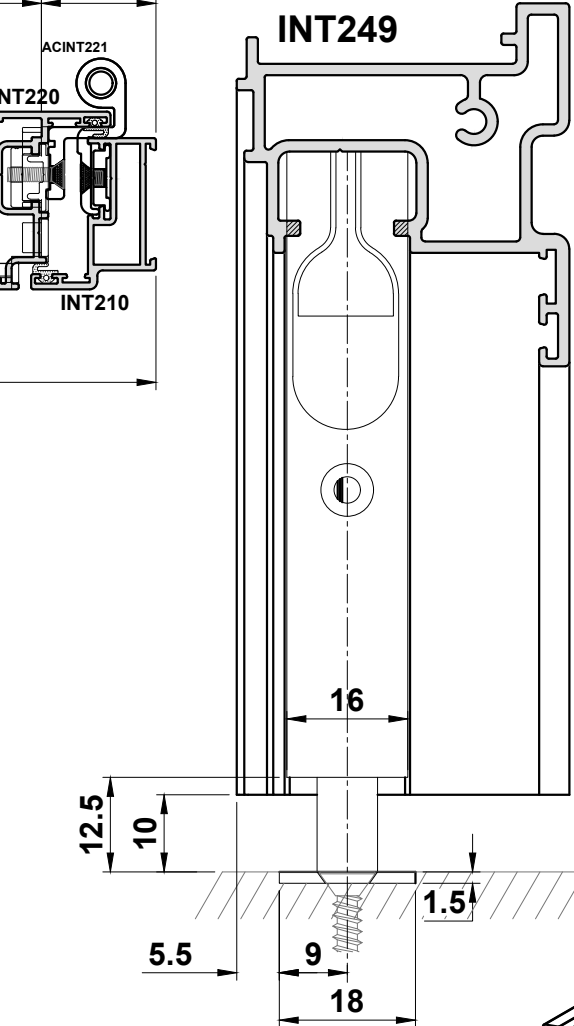
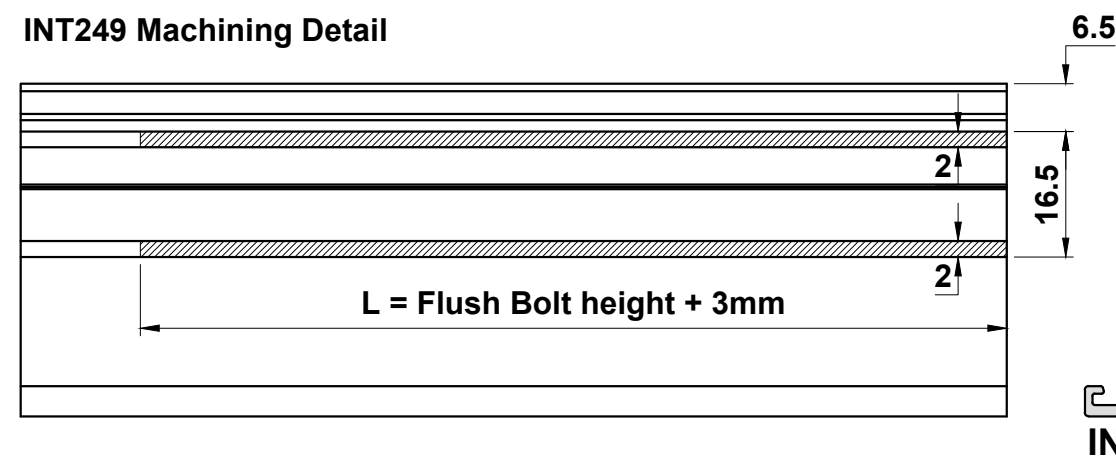
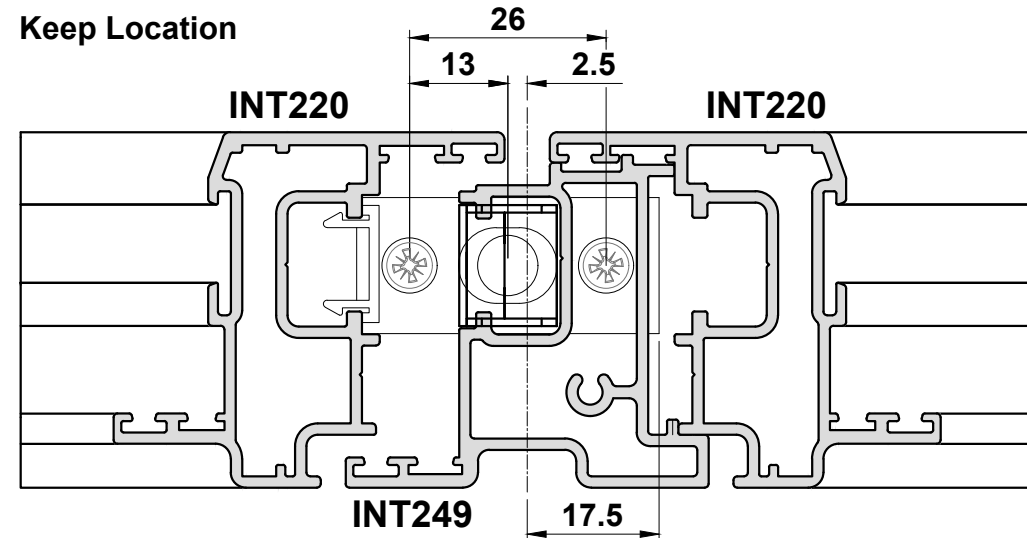
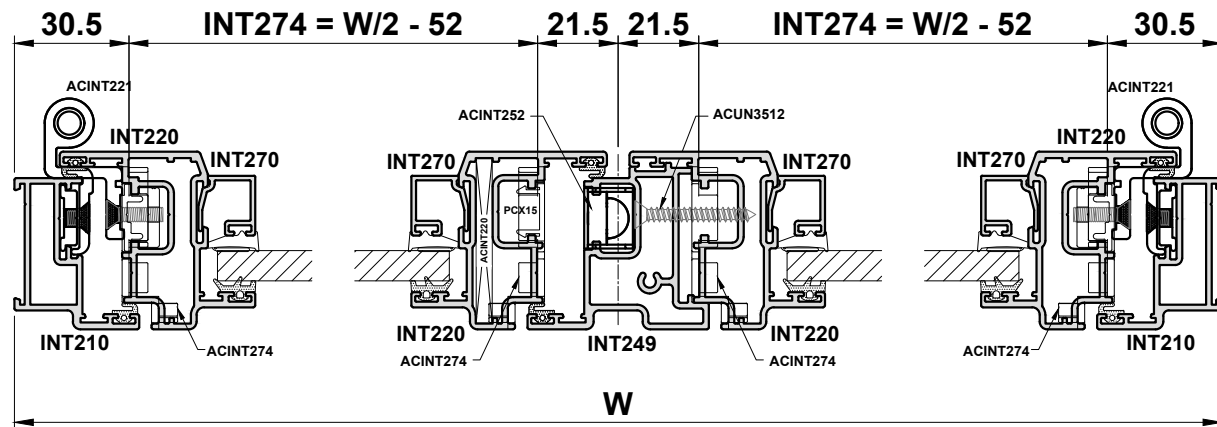
Assembly Instructions

1. Slide Hinge Backplates into outerframe prior to crimping.
2. Locate each hinge in outerframe and clamp in position using 2No. M4 x 6mm Countersunk screws - supplied with ACINT221.
3. Fasten Hinge to Sash through the adaptor with 3No. M4 x 16mm Screws into the rivnuts - supplied with ACINT221.
4. Once the sash requires no further adjustment fix the outerframe half of the hinge with 1 x No.8 x 16mm Pozi Csk Self Tapping screw.



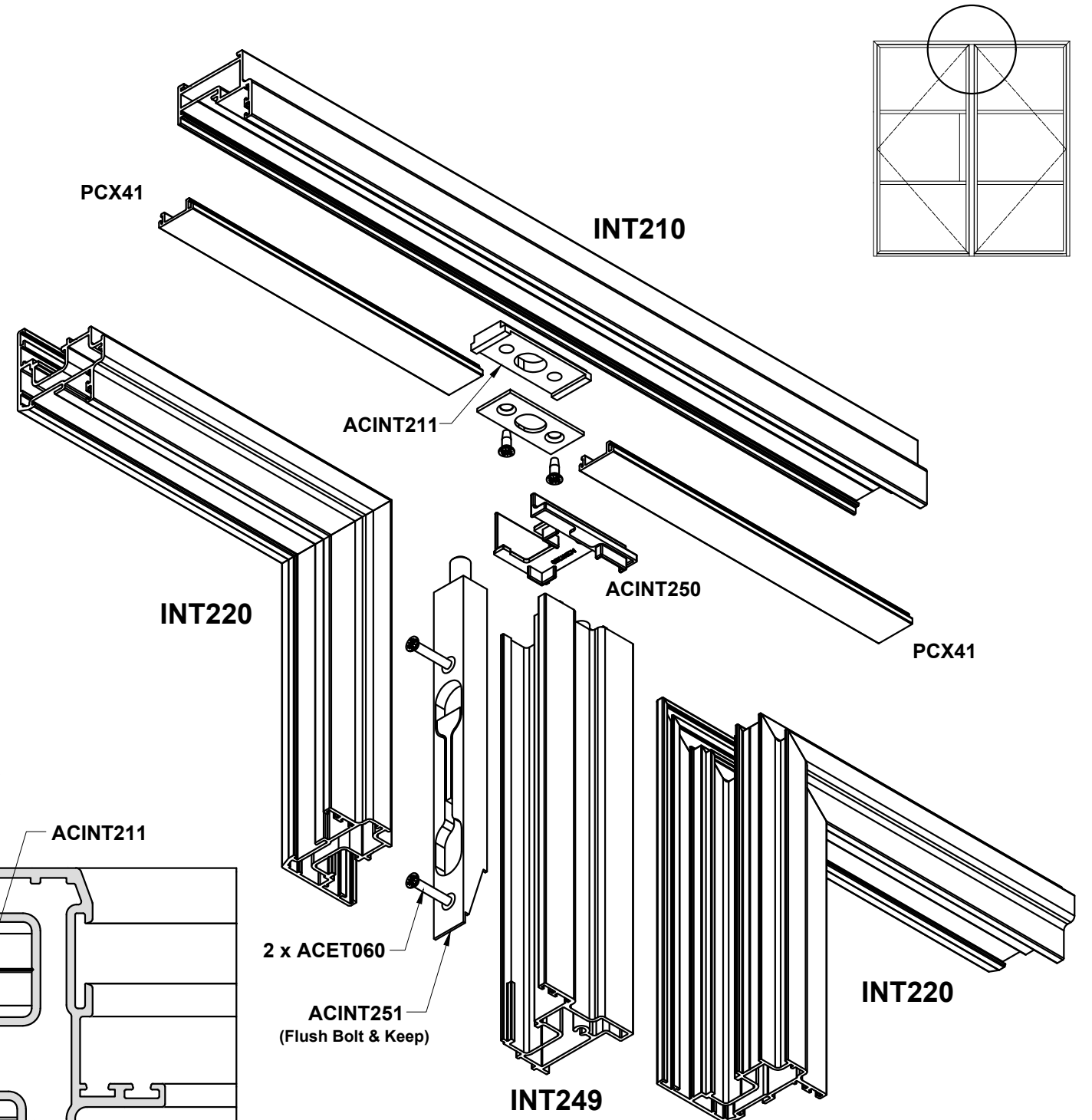
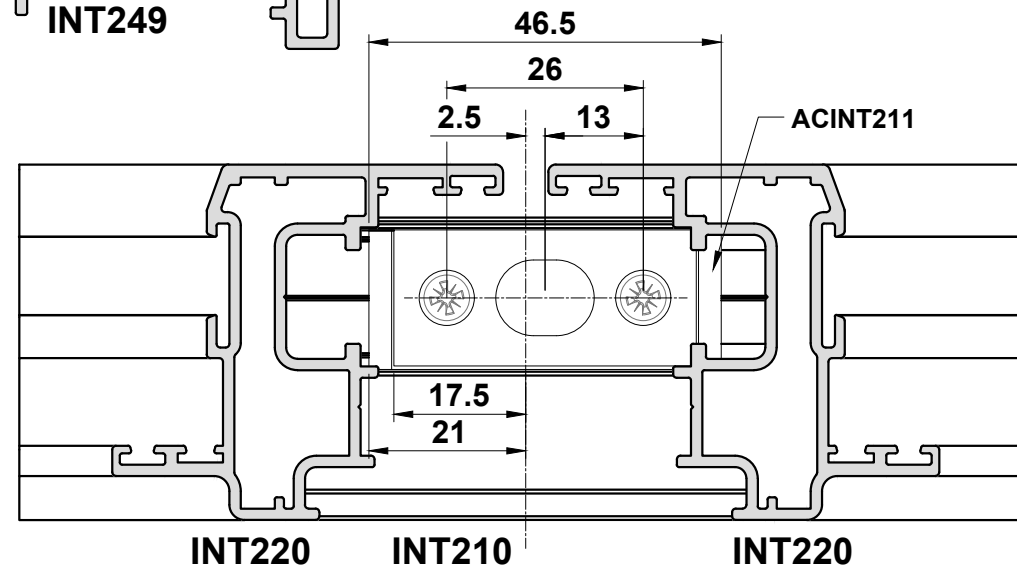
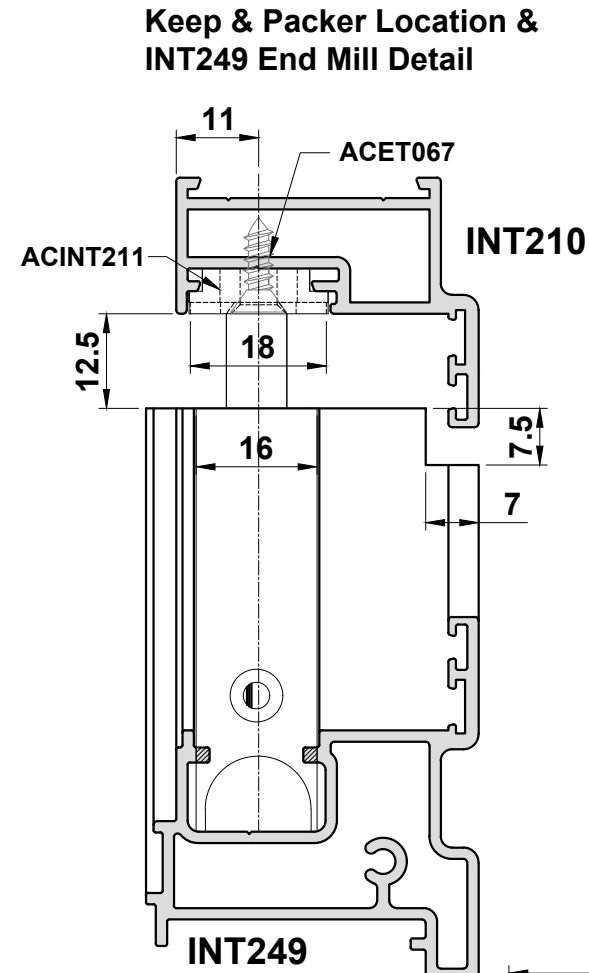
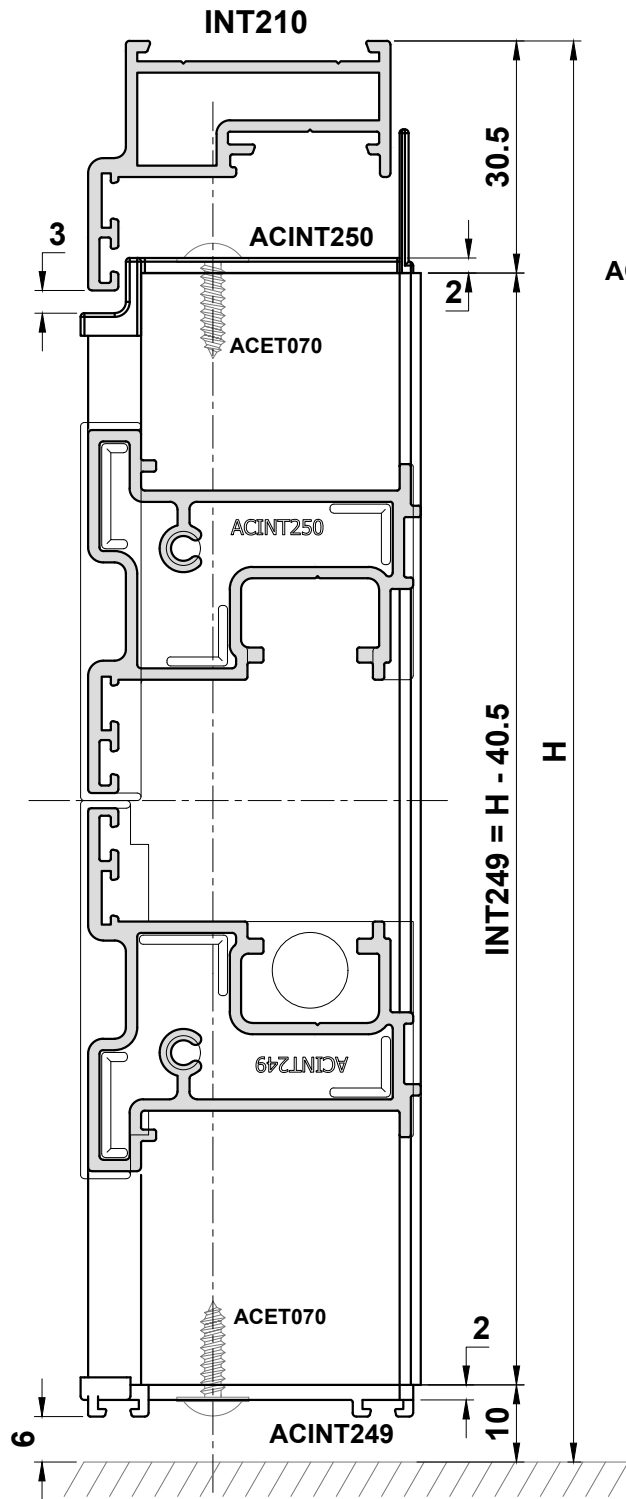
Do Not Scale From This Drawing

Open In Double Door - Bottom Detail



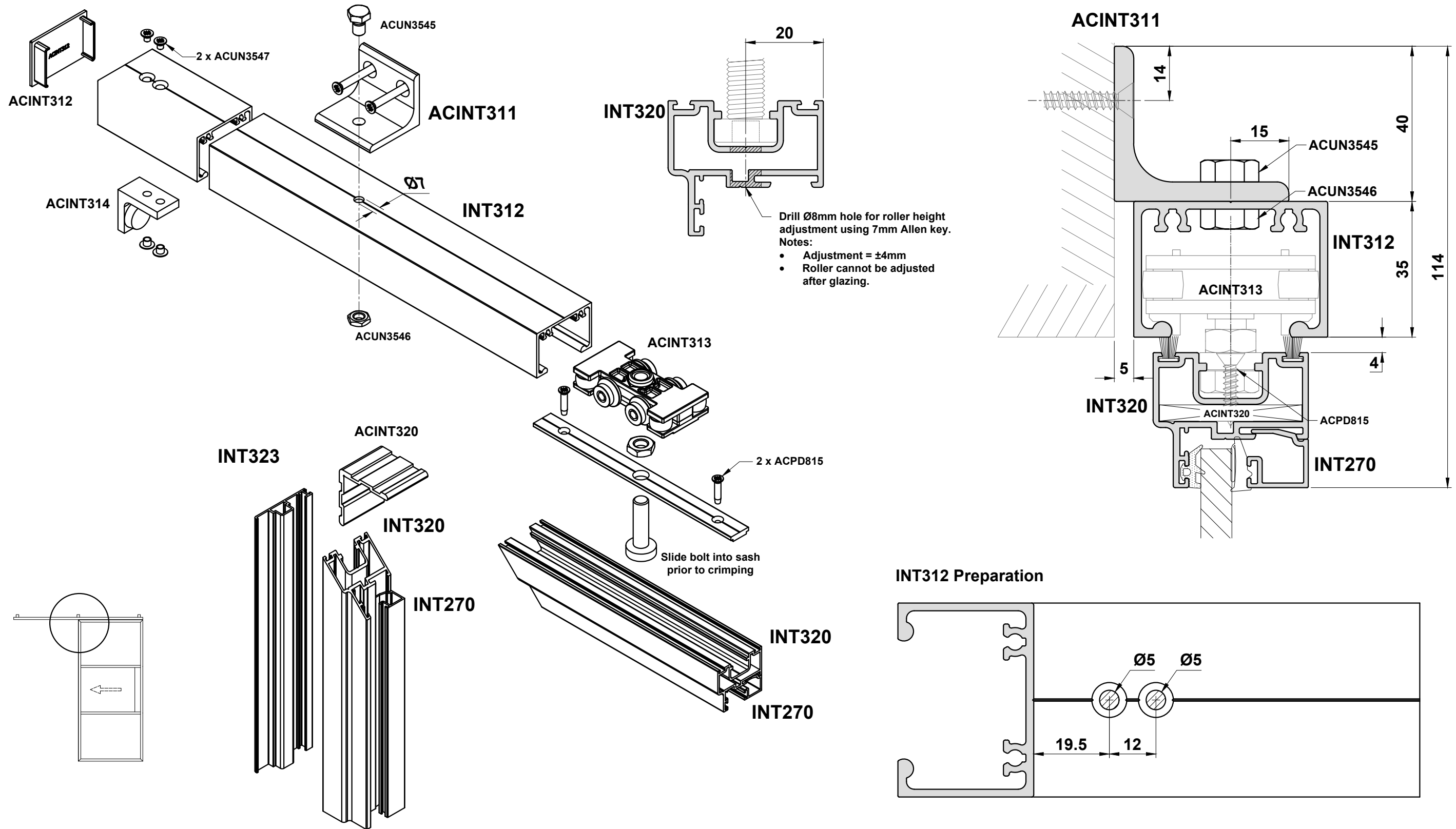
Do Not Scale From This Drawing

Open In Double Door - Top Detail



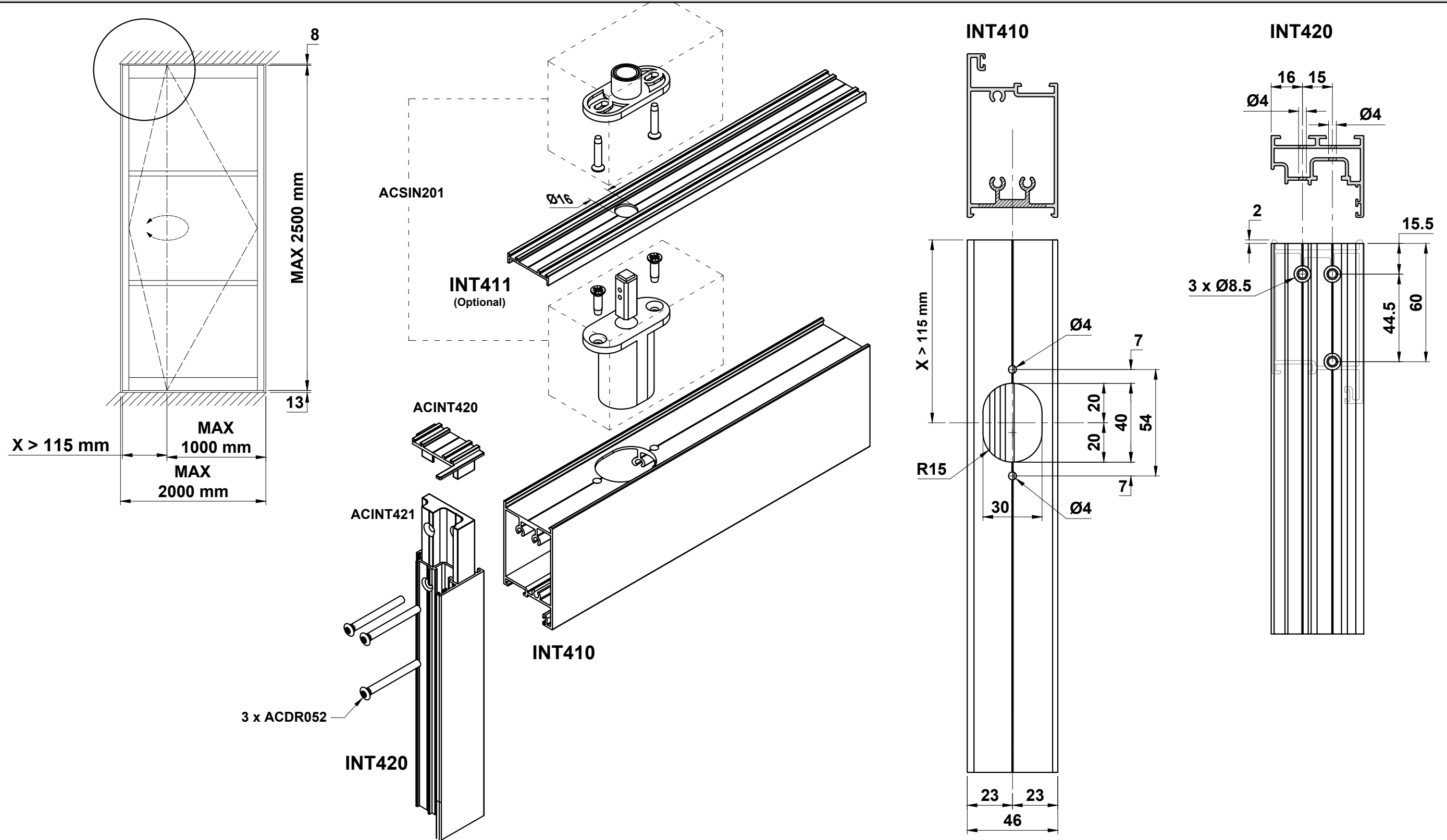
Do Not Scale From This Drawing

Sliding Door - Roller Fixing



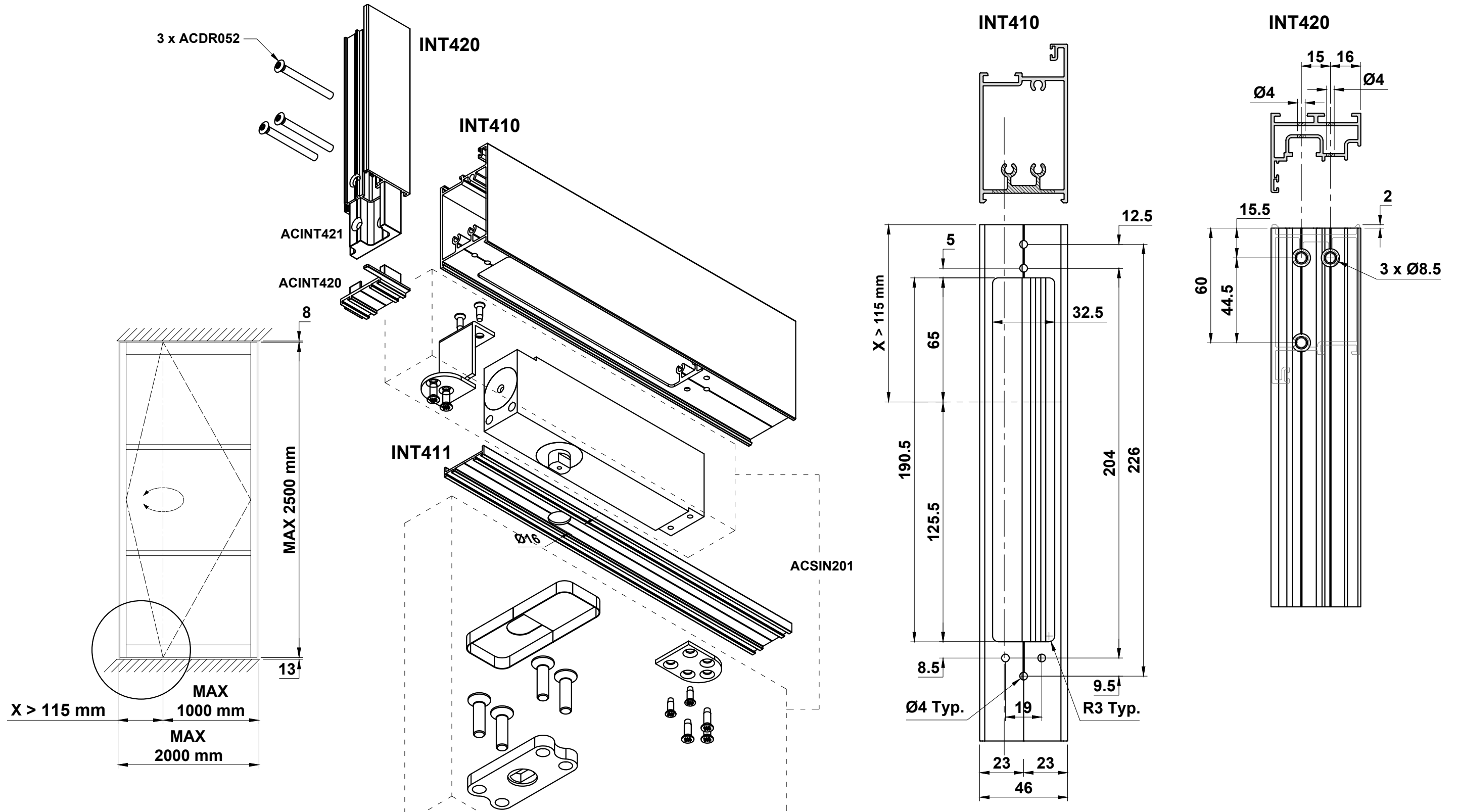
Do Not Scale From This Drawing

Pivot Door - ACSIN201 Preparation & Fixing (Top Detail)



Do Not Scale From This Drawing

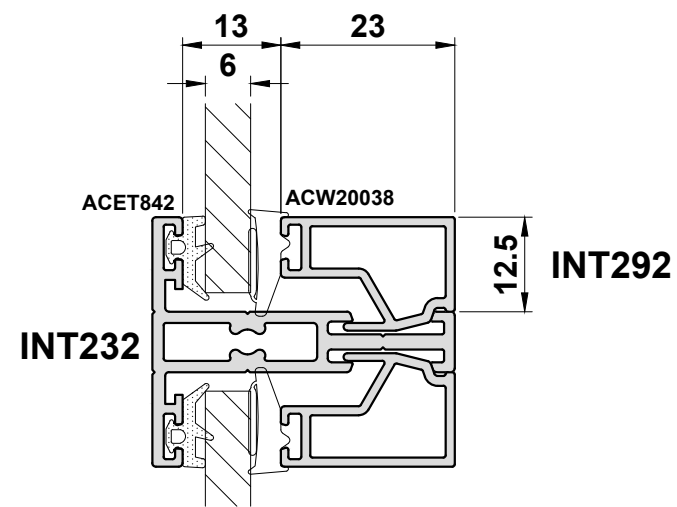
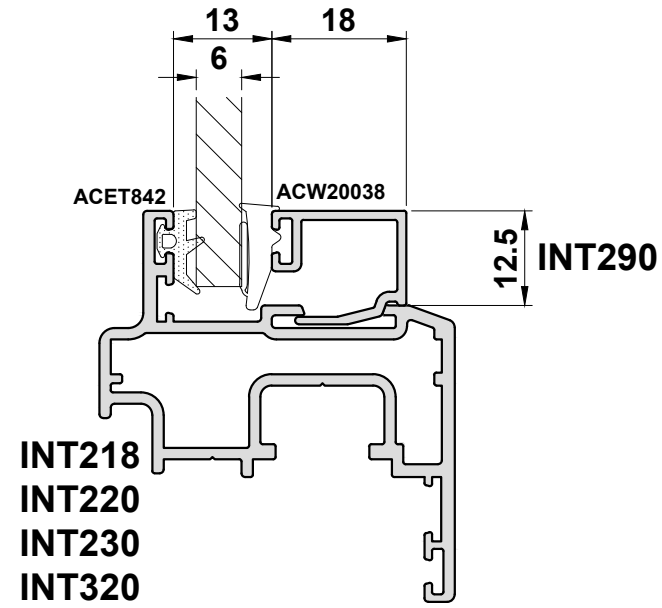
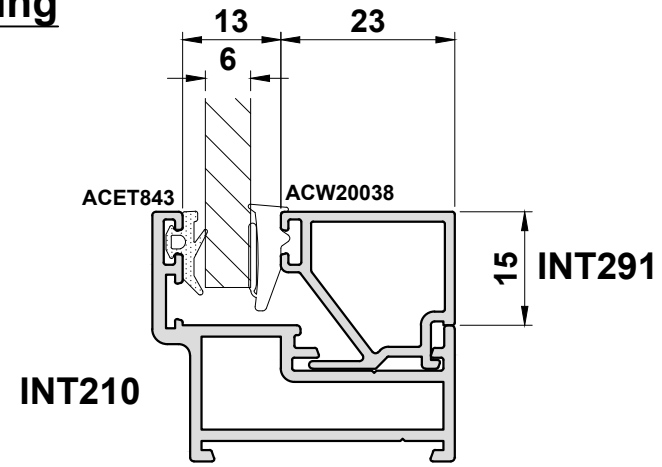
Pivot Door - ACSIN201 Preparation & Fixing (Bottom Detail)



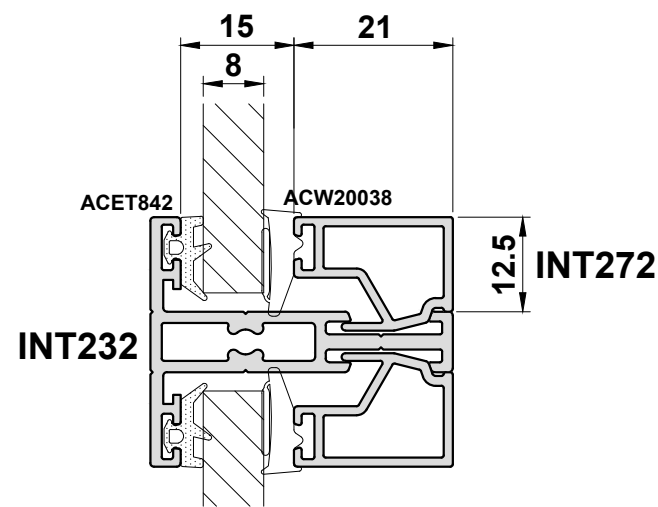
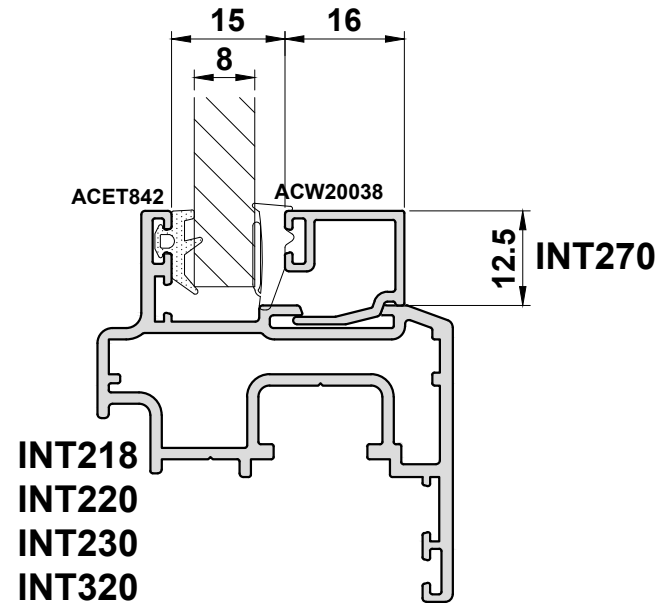
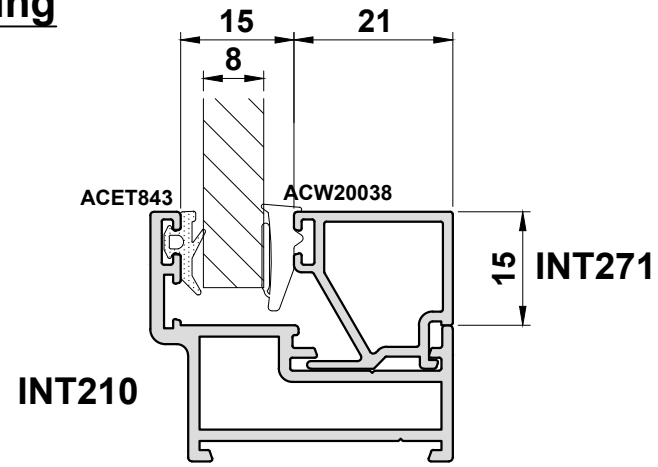
Do Not Scale From This Drawing

Glazing Details - Fixed Screens, Hinged & Sliding Doors

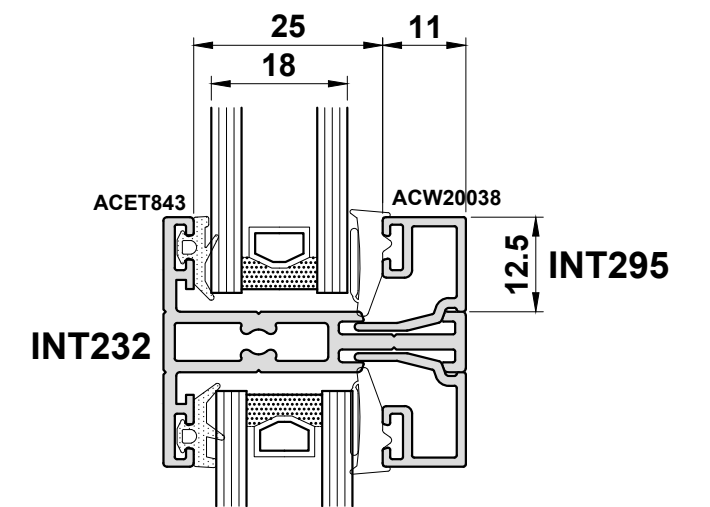
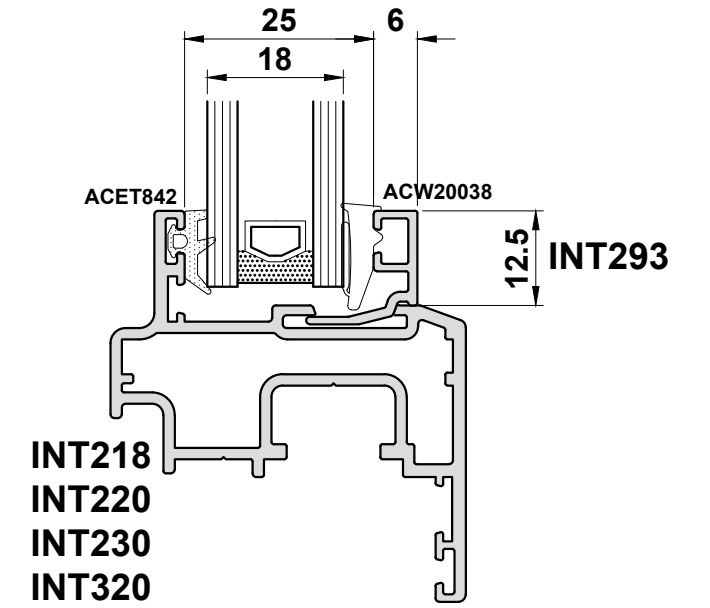
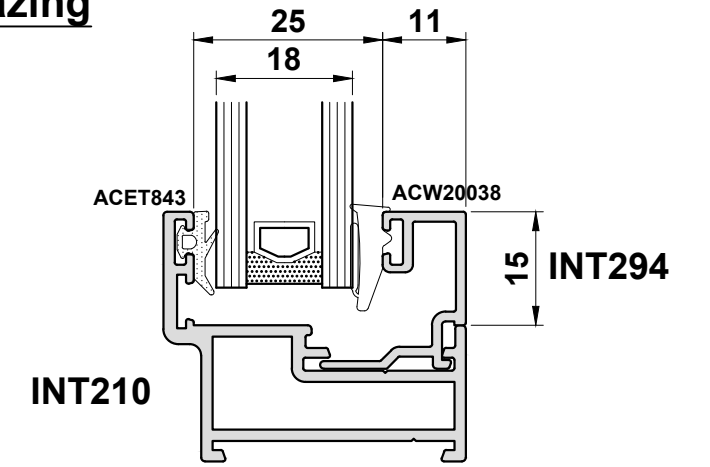
**6mm Glazing**



**8mm Glazing**



**18mm Glazing**



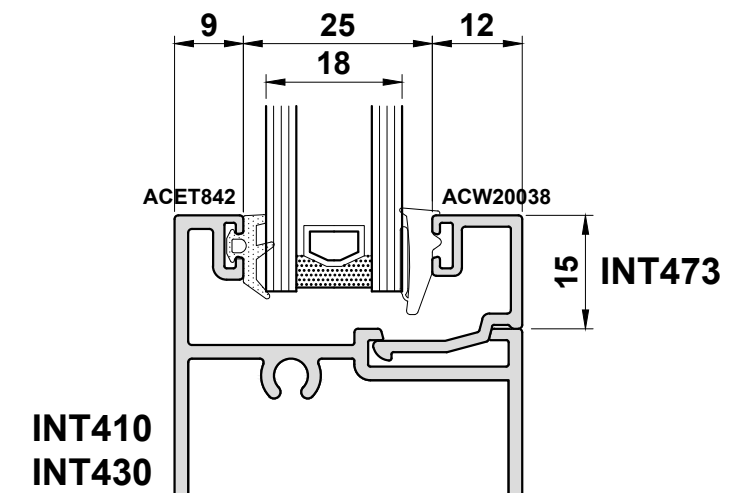
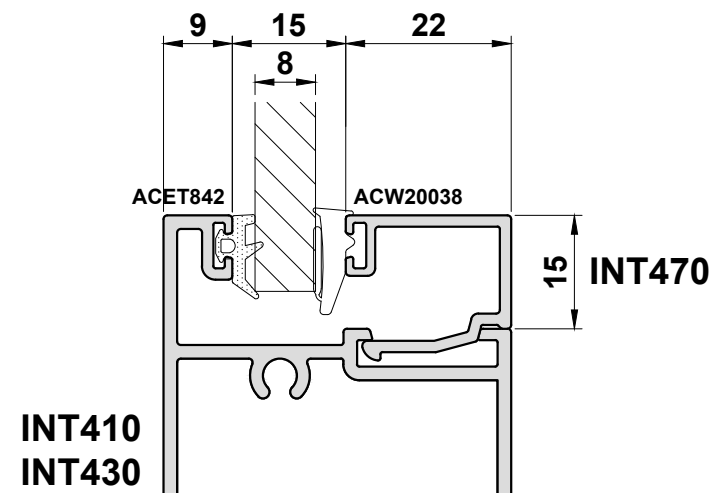
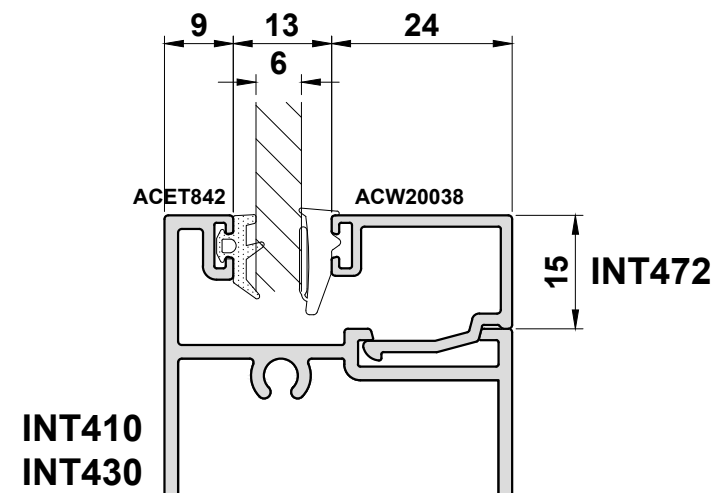
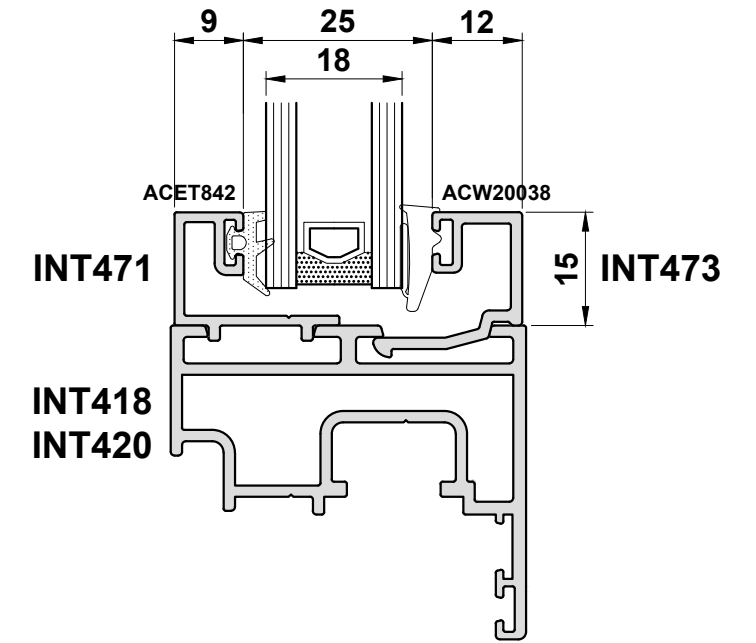
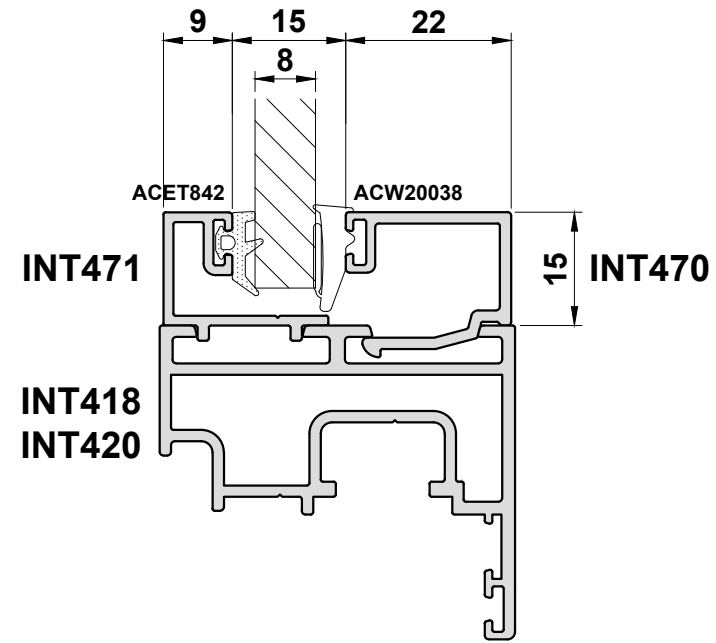
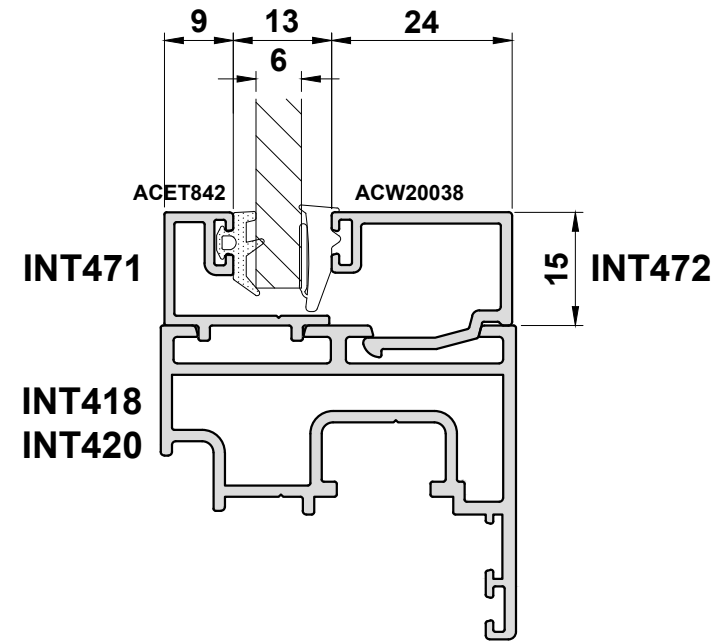
Do Not Scale From This Drawing

Glazing Details - Pivot Doors

6mm Glazing

8mm Glazing

18mm Glazing



Do Not Scale From This Drawing



**Section F**

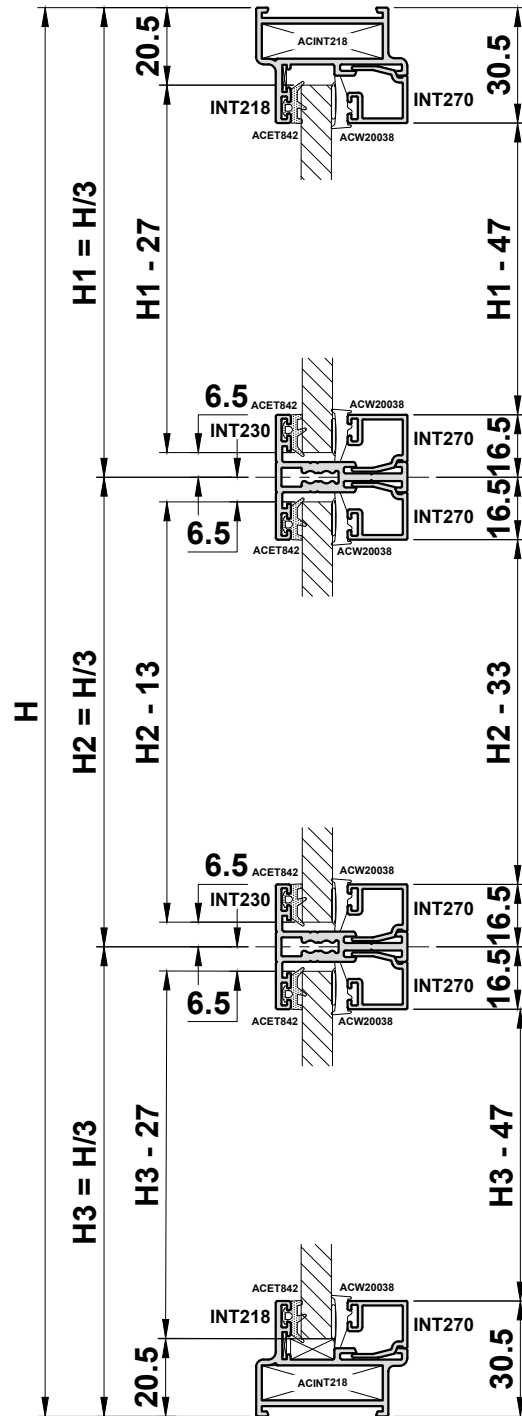


**Sawing Tables**

|                   |           |
|-------------------|-----------|
| Fixed Screen..... | F03       |
| Hinged Door.....  | F04 - F08 |
| Sliding Door..... | F09 - F12 |
| Pivot Door.....   | F13       |

**Section F**

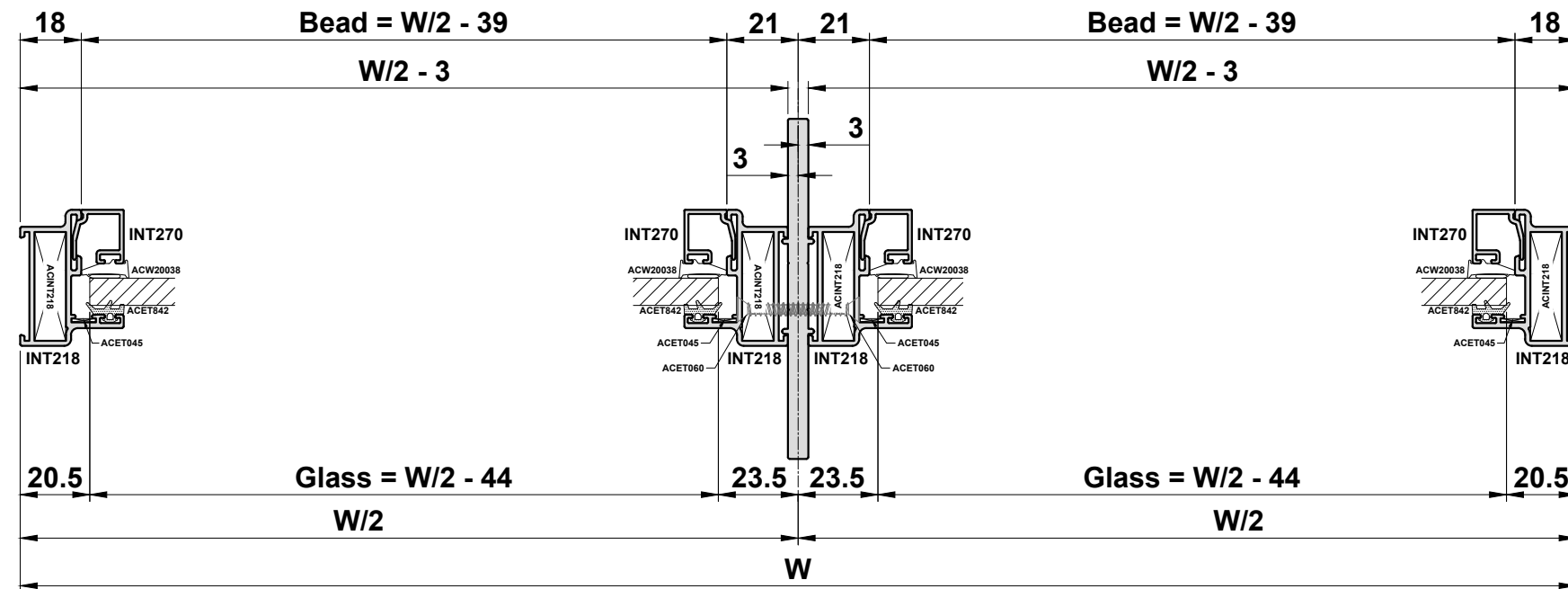
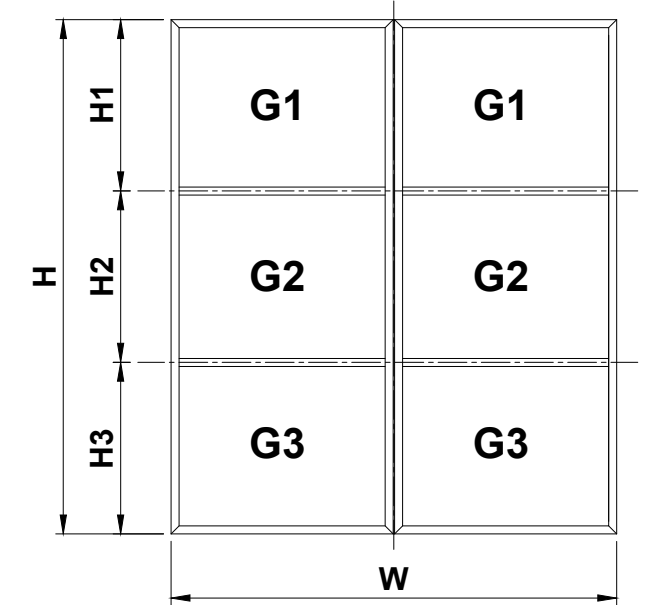
Cutting Information - Fixed Screen



| Profile Cutting Schedule |    |  |  |          |
|--------------------------|----|--|--|----------|
| INT218                   | 4  |  |  | W/2 - 3  |
| INT218                   | 4  |  |  | H        |
| INT230                   | 4  |  |  | W/2 - 39 |
| INT255                   | 1  |  |  | H        |
| INT270                   | 12 |  |  | W2 - 39  |
| INT270                   | 4  |  |  | H3 - 47  |
| INT270                   | 4  |  |  | H2 - 33  |
| INT270                   | 4  |  |  | H1 - 47  |

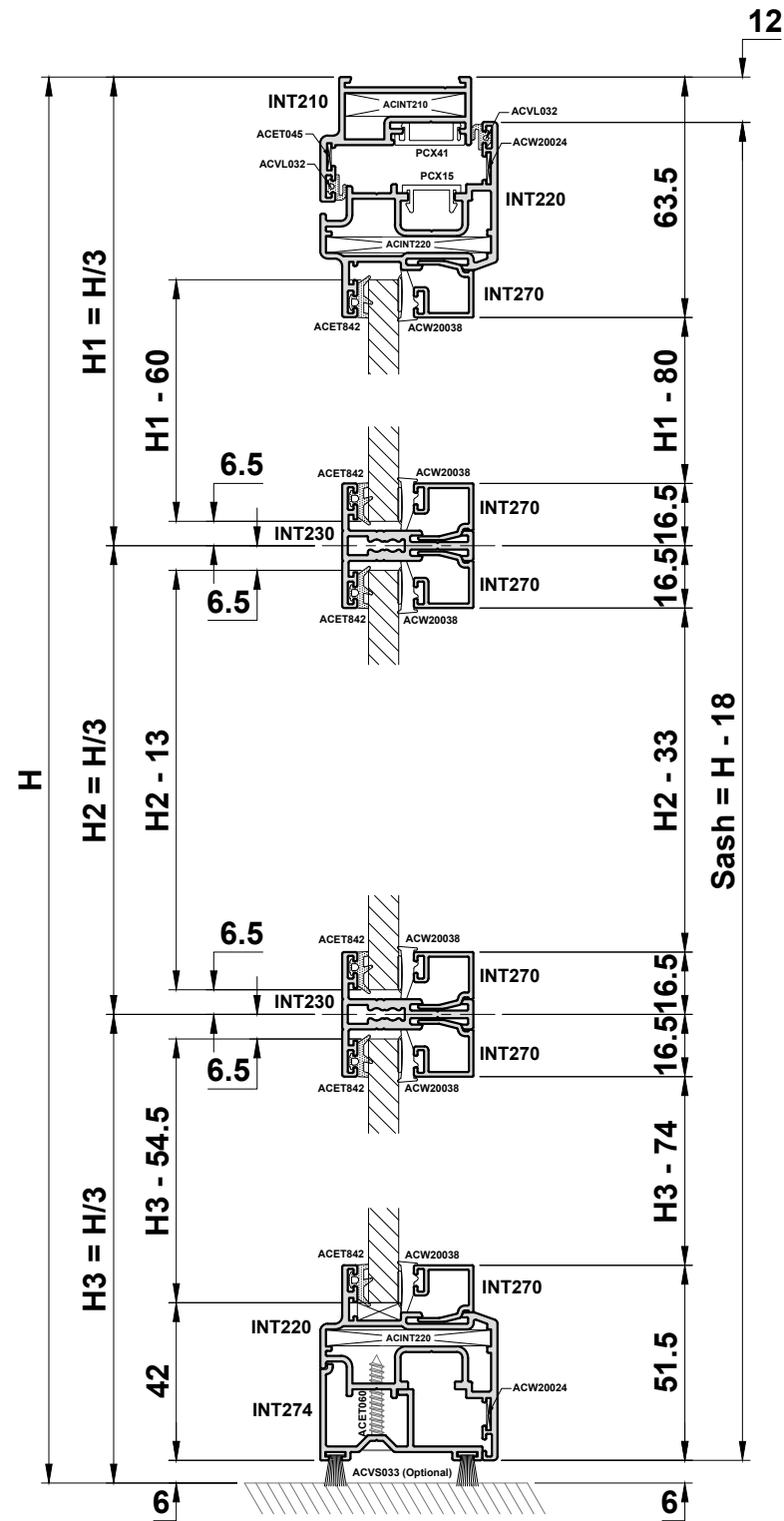
| Accessories |                      |                      |
|-------------|----------------------|----------------------|
| ACET045     | Chevrons             | 8                    |
| ACET060     | Screws               | 300mm centres        |
| ACET066     | Screws               | 8                    |
| ACET067     | Screws               | 16                   |
| ACET842     | E Gasket             | 12(W/2-44) + 4(H-41) |
| ACINT218    | Outer Frame Cleats   | 8                    |
| ACINT230    | Transom Brackets     | 8                    |
| ACUN3547    | M4 Connecting Screws | 8                    |
| ACW20038    | Wedge Gasket         | 12(W/2-44) + 4(H-41) |

| Glass |   |                    |  |
|-------|---|--------------------|--|
| G1    | 2 | W/2 - 44 X H1 - 27 |  |
| G2    | 2 | W/2 - 44 X H2 - 13 |  |
| G3    | 2 | W/2 - 44 X H3 - 27 |  |



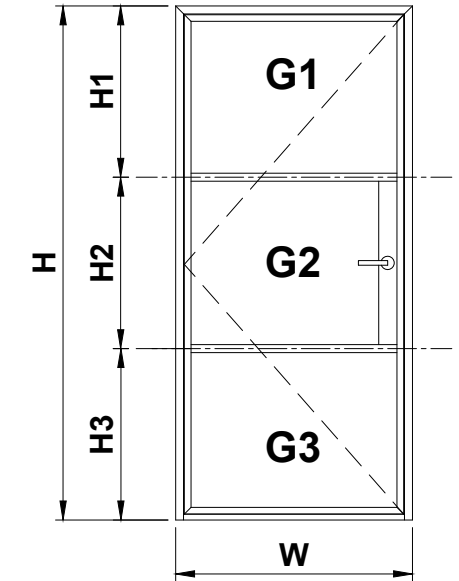
Do Not Scale From This Drawing

**Cutting Information - Open In Single Door**

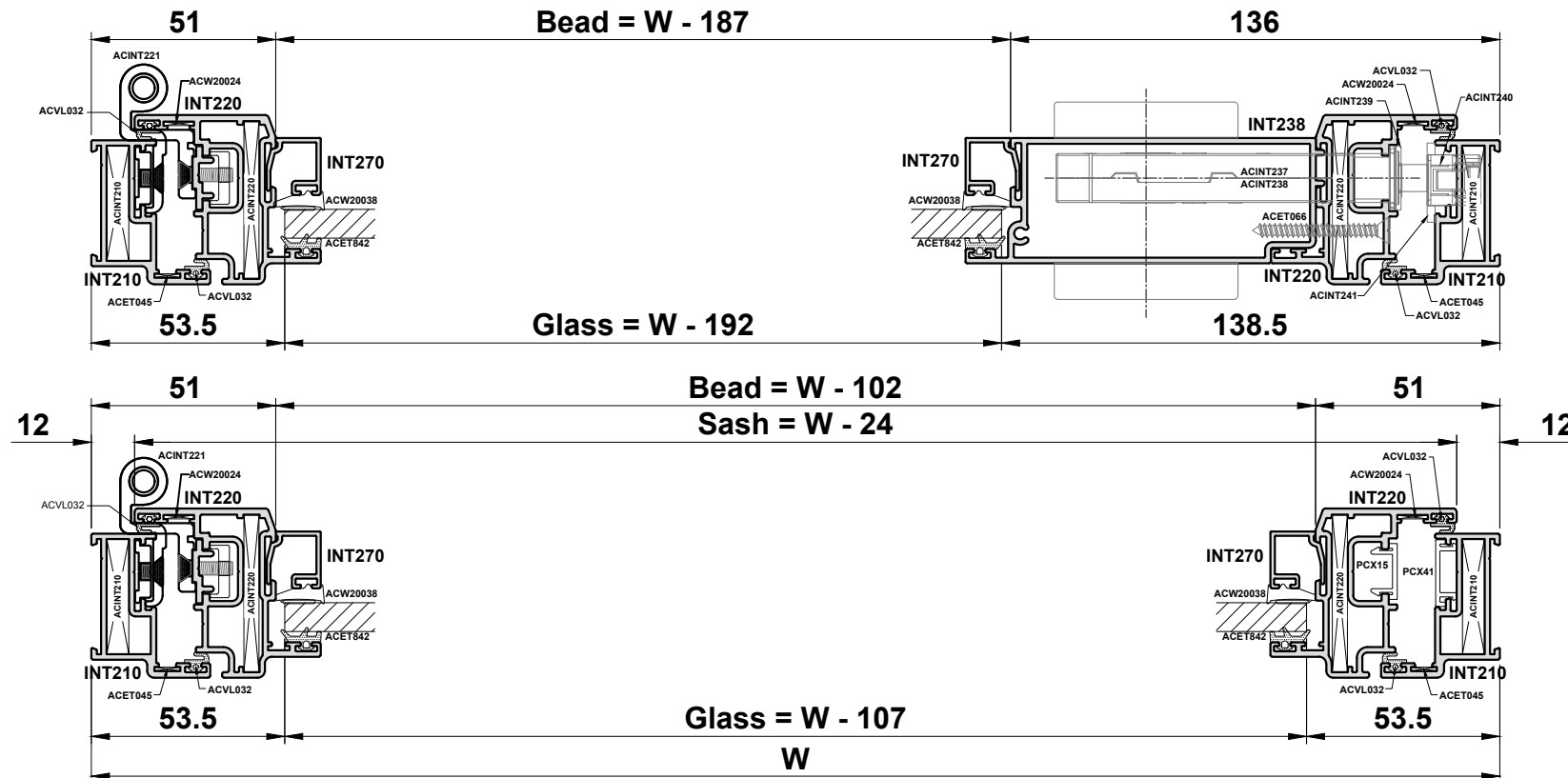


| Profile Cutting Schedule |   |  |  |          |
|--------------------------|---|--|--|----------|
| INT210                   | 1 |  |  | W        |
| INT210                   | 2 |  |  | H        |
| INT220                   | 2 |  |  | W - 24   |
| INT220                   | 2 |  |  | H - 18   |
| INT230                   | 2 |  |  | W - 102  |
| INT238                   | 1 |  |  | H2 - 8   |
| INT270                   | 4 |  |  | W - 102  |
| INT270                   | 2 |  |  | W - 187  |
| INT270                   | 2 |  |  | H3 - 74  |
| INT270                   | 2 |  |  | H2 - 33  |
| INT270                   | 2 |  |  | H1 - 80  |
| INT274                   | 1 |  |  | W - 61   |
| PCX15                    | 1 |  |  | W - 72   |
| PCX15                    | 2 |  |  | H - 55.5 |
| PCX41                    | 1 |  |  | W - 36   |
| PCX41                    | 2 |  |  | H - 12   |

| Accessories  |                              |                       |
|--------------|------------------------------|-----------------------|
| ACET045      | Chevrons                     | 2                     |
| ACET060      | Screws                       | 300mm centres         |
| ACET066      | Screws                       | 6                     |
| ACET067      | Screws                       | 8                     |
| ACET842      | E Gasket                     | 6(W-107) + 2(H-101.5) |
| ACINT210     | Outer Frame Cleats           | 2                     |
| ACINT220     | Sash Cleats                  | 4                     |
| ACINT221     | Hinge Kit                    | 3                     |
| ACINT230     | Transom Bracket              | 4                     |
| ACINT237/238 | Magnetic Sash Lock           | 1                     |
| ACINT239     | Forend Cover                 | 1                     |
| ACINT240     | Striker Cover Plate          | 1                     |
| ACINT241     | Latch Cover Tray with magnet | 1                     |
| ACINT274     | End Cap                      | Pair                  |
| ACINT5_      | Lever Handle (*)             | Pair                  |
| ACUN3547     | M4 Connecting Screws         | 4                     |
| ACVL032      | Outer Frame Seal             | 1(W-58) + 2(H-29)     |
| ACVL032      | Sash Seal                    | 2(W-32) + 2(H-18)     |
| ACVS033      | Woolpile (**)                | 2(W-61)               |
| ACW20024     | Chevrons                     | 4                     |
| ACW20038     | Wedge Gasket                 | 6(W-107) + 2(H-101.5) |



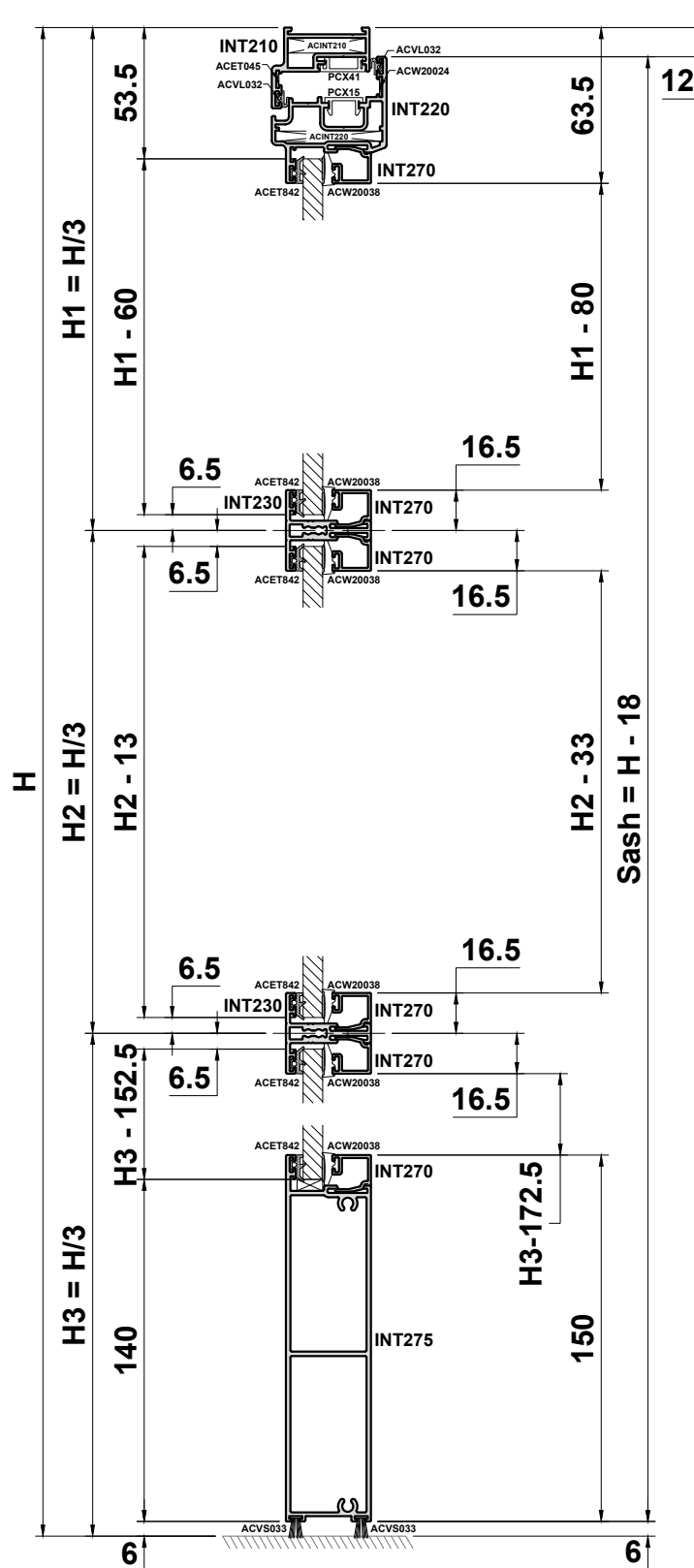
(\*) See Section B for handle options.  
(\*\*) Optional



| Glass |   |                     |
|-------|---|---------------------|
| G1    | 1 | W - 107 X H1 - 60   |
| G2    | 1 | W - 192 X H2 - 13   |
| G3    | 1 | W - 107 X H3 - 54.5 |

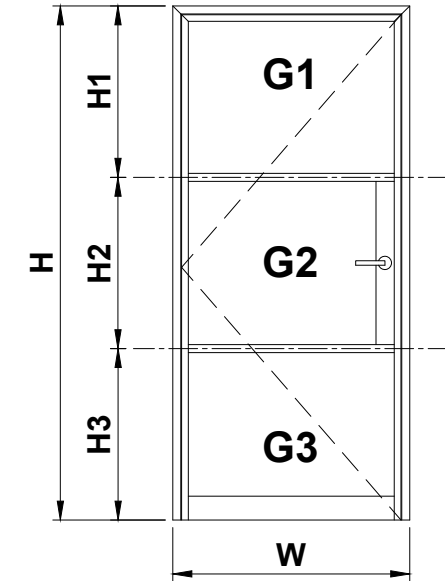
Do Not Scale From This Drawing

**Cutting Information - Open In Single Door with Deep Bottom Rail**

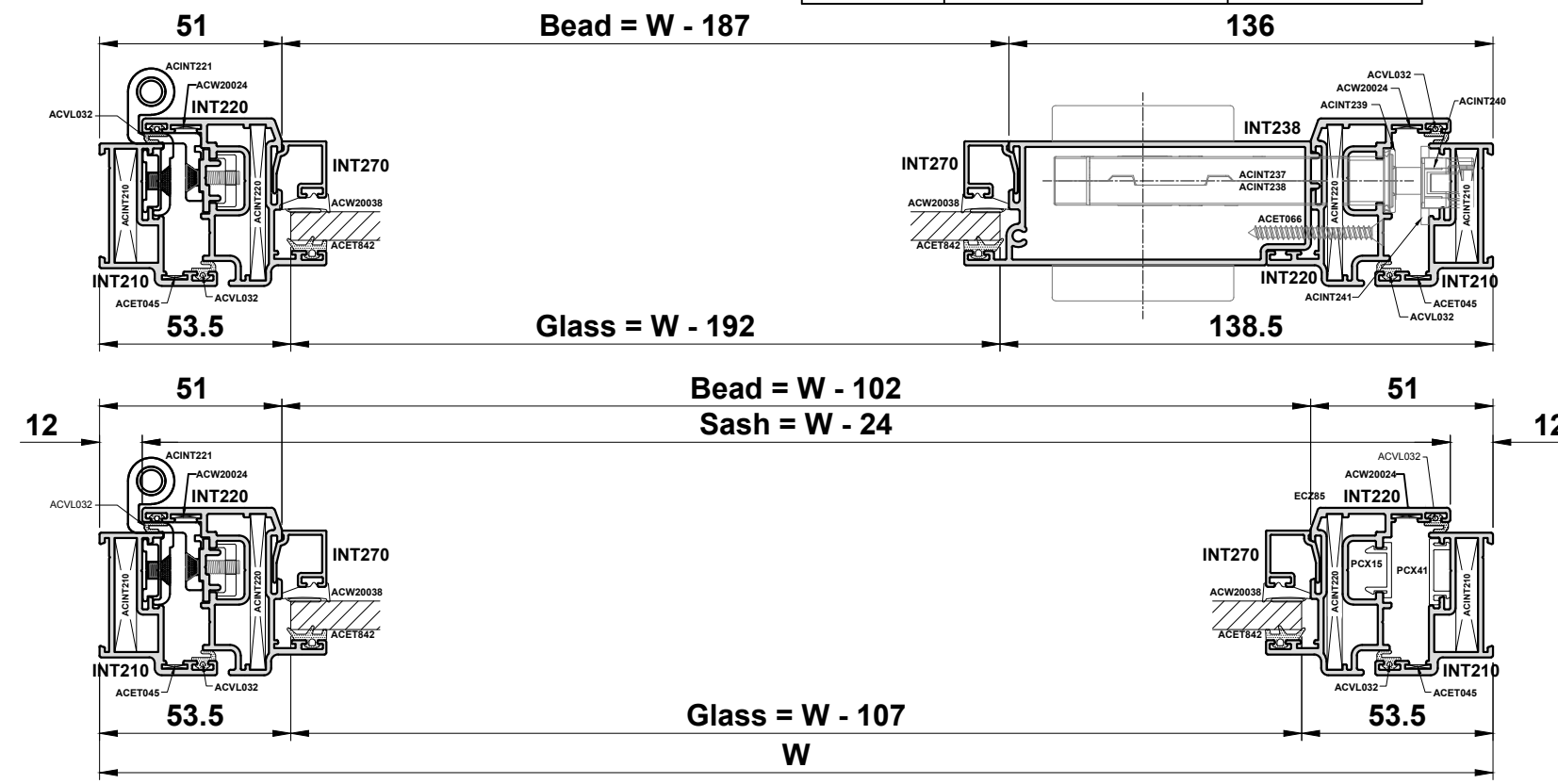


| Profile Cutting Schedule |   |  |  |            |
|--------------------------|---|--|--|------------|
| INT210                   | 1 |  |  | W          |
| INT210                   | 2 |  |  | H          |
| INT220                   | 1 |  |  | W - 24     |
| INT220                   | 2 |  |  | H - 22     |
| INT230                   | 2 |  |  | W - 102    |
| INT238                   | 1 |  |  | H2 - 8     |
| INT270                   | 4 |  |  | W - 102    |
| INT270                   | 2 |  |  | W - 187    |
| INT270                   | 2 |  |  | H3 - 172.5 |
| INT270                   | 2 |  |  | H2 - 33    |
| INT270                   | 2 |  |  | H1 - 80    |
| INT275                   | 1 |  |  | W - 102    |
| PCX15                    | 1 |  |  | W - 72     |
| PCX15                    | 2 |  |  | H - 28.5   |
| PCX41                    | 1 |  |  | W - 36     |
| PCX41                    | 2 |  |  | H - 12     |

| Accessories  |                              |                       |
|--------------|------------------------------|-----------------------|
| ACET045      | Chevrons                     | 2                     |
| ACET062      | Screws                       | 4                     |
| ACET066      | Screws                       | 6                     |
| ACET067      | Screws                       | 8                     |
| ACET842      | E Gasket                     | 6(W-107) + 2(H-199.5) |
| ACINT210     | Outer Frame Cleats           | 2                     |
| ACINT220     | Sash Cleats                  | 2                     |
| ACINT221     | Hinge Kit                    | 3                     |
| ACINT223     | End Cap                      | 1 Pair                |
| ACINT224     | Block                        | 2                     |
| ACINT230     | Transom Bracket              | 4                     |
| ACINT237/238 | Magnetic Sash Lock           | 1                     |
| ACINT239     | Forend Cover                 | 1                     |
| ACINT240     | Striker Cover Plate          | 1                     |
| ACINT241     | Latch Cover Tray with magnet | 1                     |
| ACINT5       | Lever Handle (*)             | Pair                  |
| ACUN3547     | M4 Connecting Screws         | 4                     |
| ACVL032      | Outer Frame Seal             | 1(W-58) + 2(H-29)     |
| ACVL032      | Sash Seal                    | 1(W-32) + 2(H-18)     |
| ACVS033      | Woolpile                     | 2(W-102)              |
| ACW20024     | Chevrons                     | 2                     |
| ACW20038     | Wedge Gasket                 | 6(W-107) + 2(H-199.5) |



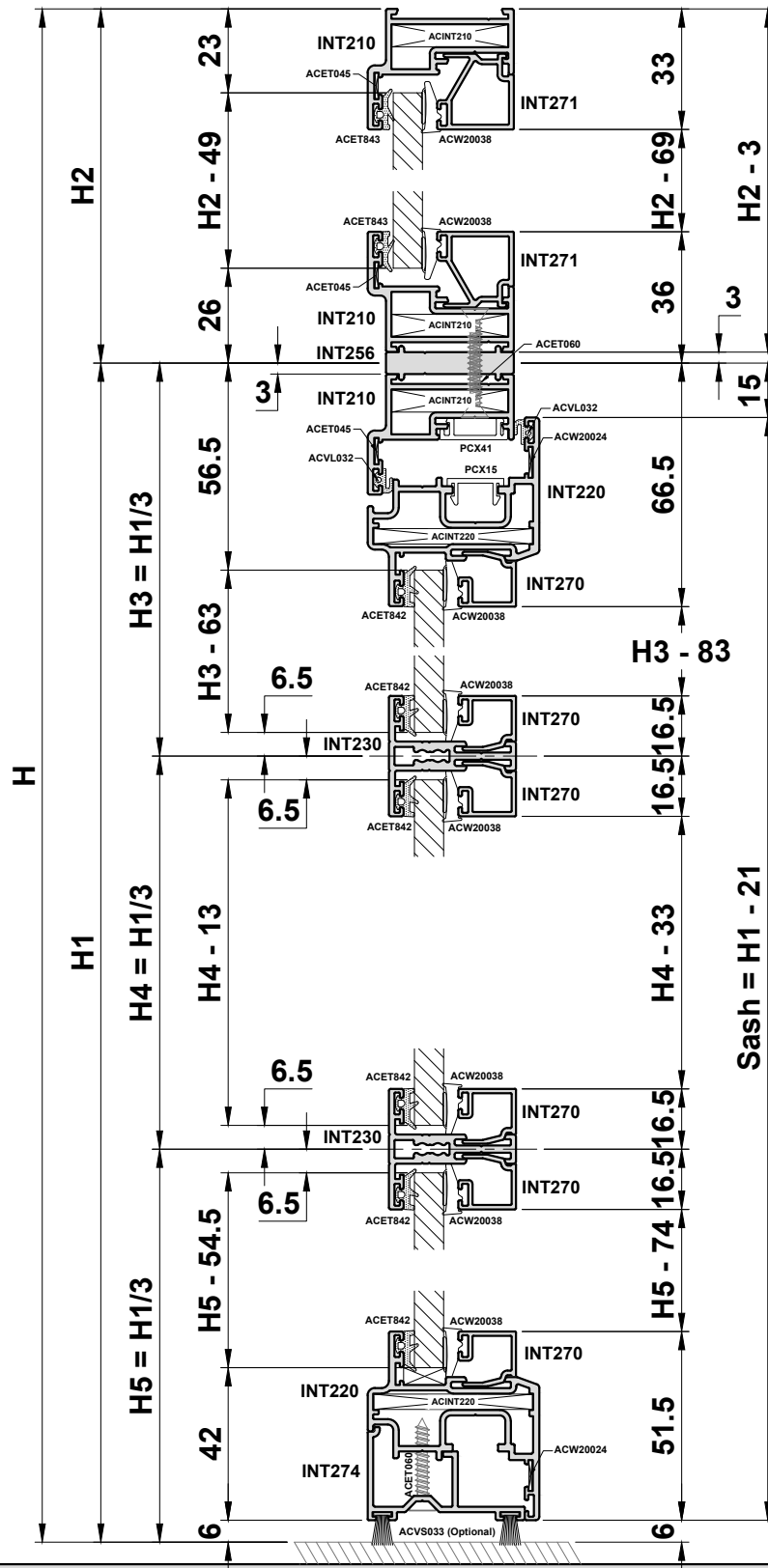
(\*) See Section B for handle options.



| Glass |   |                      |
|-------|---|----------------------|
| G1    | 1 | W - 107 X H1 - 60    |
| G2    | 1 | W - 192 X H2 - 13    |
| G3    | 1 | W - 107 X H3 - 152.5 |

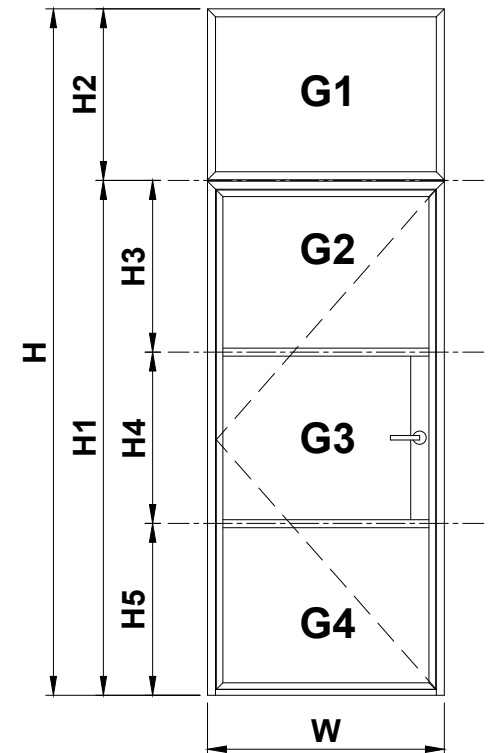
Do Not Scale From This Drawing

Cutting Information - Open In Single Door & Fixed Screen

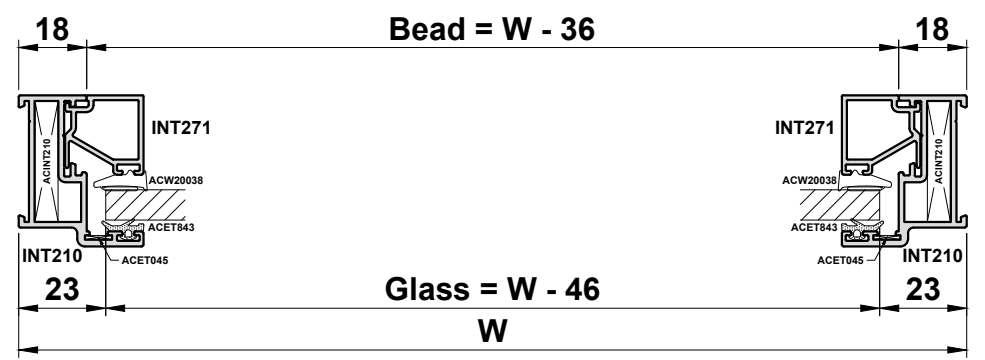
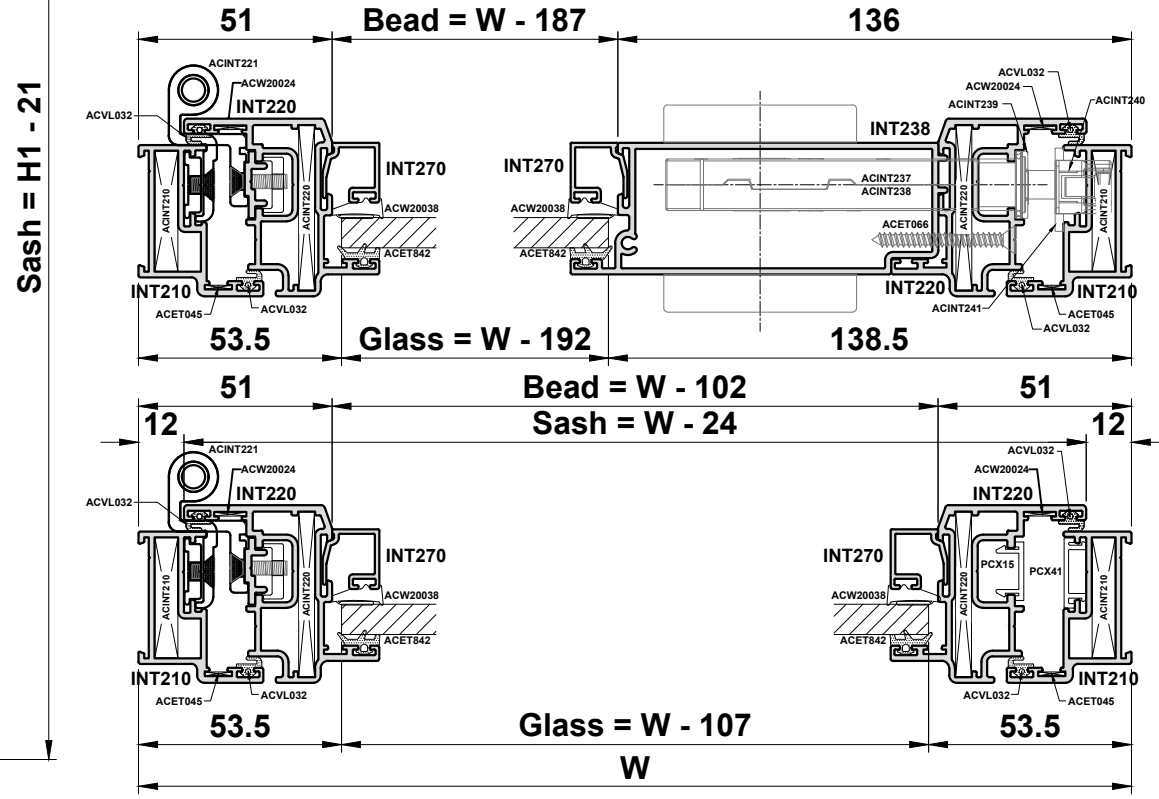


| Profile Cutting Schedule |   |  |  |           |
|--------------------------|---|--|--|-----------|
| INT210                   | 3 |  |  | W         |
| INT210                   | 2 |  |  | H1 - 3    |
| INT210                   | 2 |  |  | H2 - 3    |
| INT220                   | 2 |  |  | W - 24    |
| INT220                   | 2 |  |  | H1 - 21   |
| INT230                   | 2 |  |  | W - 102   |
| INT238                   | 1 |  |  | H4 - 8    |
| INT256                   | 1 |  |  | W         |
| INT270                   | 4 |  |  | W - 102   |
| INT270                   | 2 |  |  | W - 187   |
| INT270                   | 2 |  |  | H5 - 74   |
| INT270                   | 2 |  |  | H4 - 33   |
| INT270                   | 2 |  |  | H3 - 83   |
| INT271                   | 2 |  |  | W - 36    |
| INT271                   | 2 |  |  | H2 - 69   |
| INT274                   | 1 |  |  | W - 61    |
| PCX15                    | 1 |  |  | W - 72    |
| PCX15                    | 2 |  |  | H1 - 52.5 |
| PCX41                    | 1 |  |  | W - 36    |
| PCX41                    | 2 |  |  | H1 - 15   |

| Accessories  |                              |                        |
|--------------|------------------------------|------------------------|
| ACET045      | Chevrans                     | 6                      |
| ACET060      | Screws                       | 300mm centres          |
| ACET066      | Screws                       | 6                      |
| ACET067      | Screws                       | 8                      |
| ACET842      | E Gasket                     | 6(W-107) + 2(H1-104.5) |
| ACET843      | E Gasket                     | 2(W-46) + 2(H2-49)     |
| ACINT210     | Outer Frame Cleats           | 6                      |
| ACINT220     | Sash Cleats                  | 4                      |
| ACINT221     | Hinge Kit                    | 3                      |
| ACINT230     | Transom Bracket              | 4                      |
| ACINT237/238 | Magnetic Sash Lock           | 1                      |
| ACINT239     | Forend Cover                 | 1                      |
| ACINT240     | Striker Cover Plate          | 1                      |
| ACINT241     | Latch Cover Tray with magnet | 1                      |
| ACINT274     | End Cap                      | Pair                   |
| ACINT5       | Lever Handle (*)             | Pair                   |
| ACUN3547     | M4 Connecting Screws         | 4                      |
| ACVL032      | Outer Frame Seal             | 1(W-58) + 2(H1-32)     |
| ACVL032      | Sash Seal                    | 2(W-32) + 2(H1-21)     |
| ACVS033      | Woolpile                     | 2(W-61)                |
| ACW20024     | Chevrans                     | 4                      |
| ACW20038     | Wedge Gasket                 | 6(W-107) + 2(H1-104.5) |
| ACW20038     | Wedge Gasket                 | 2(W-46) + 2(H2-49)     |

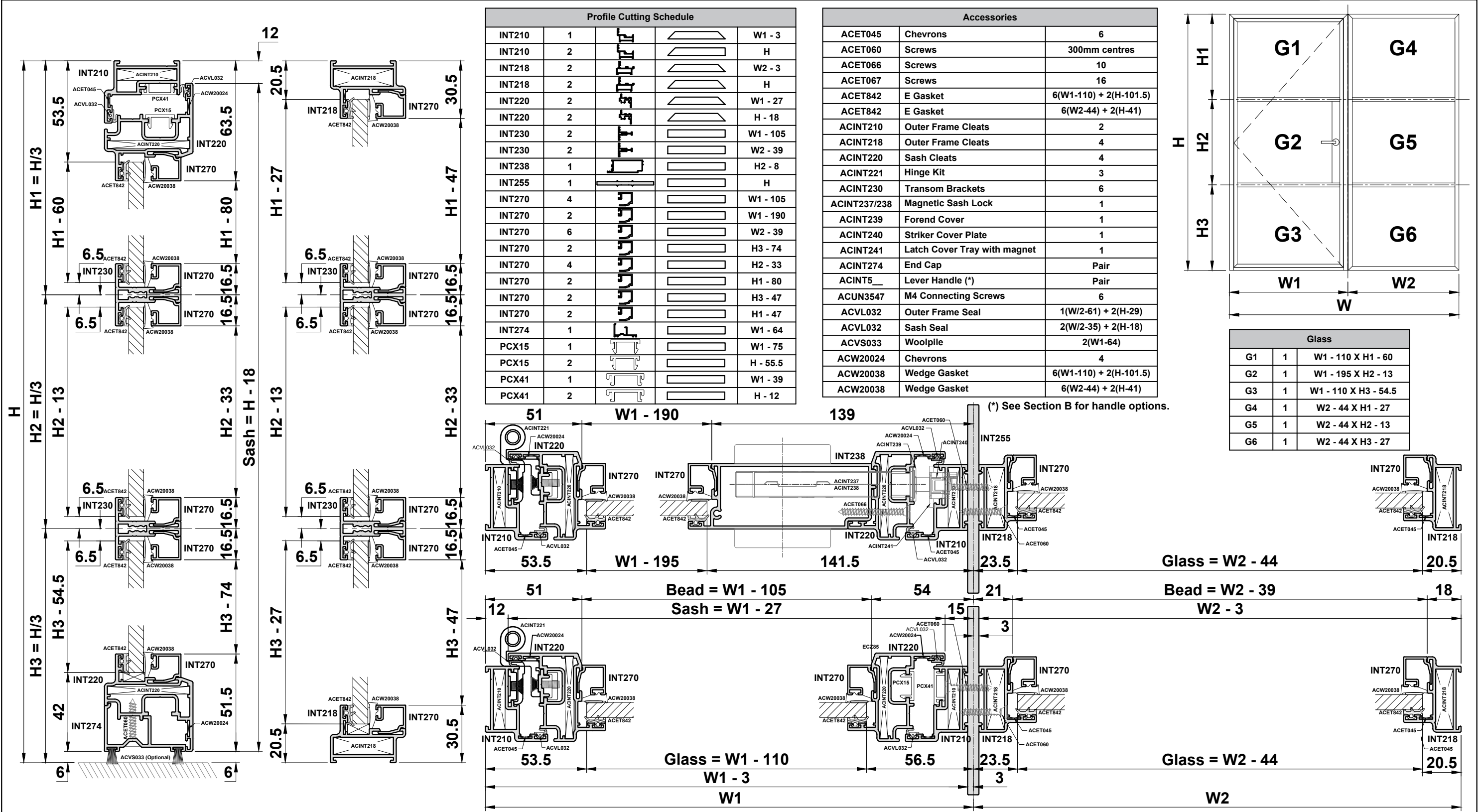


| Glass |   |                     |
|-------|---|---------------------|
| G1    | 1 | W - 46 X H2 - 49    |
| G2    | 1 | W - 107 X H3 - 63   |
| G3    | 1 | W - 192 X H4 - 13   |
| G4    | 1 | W - 107 X H5 - 54.5 |



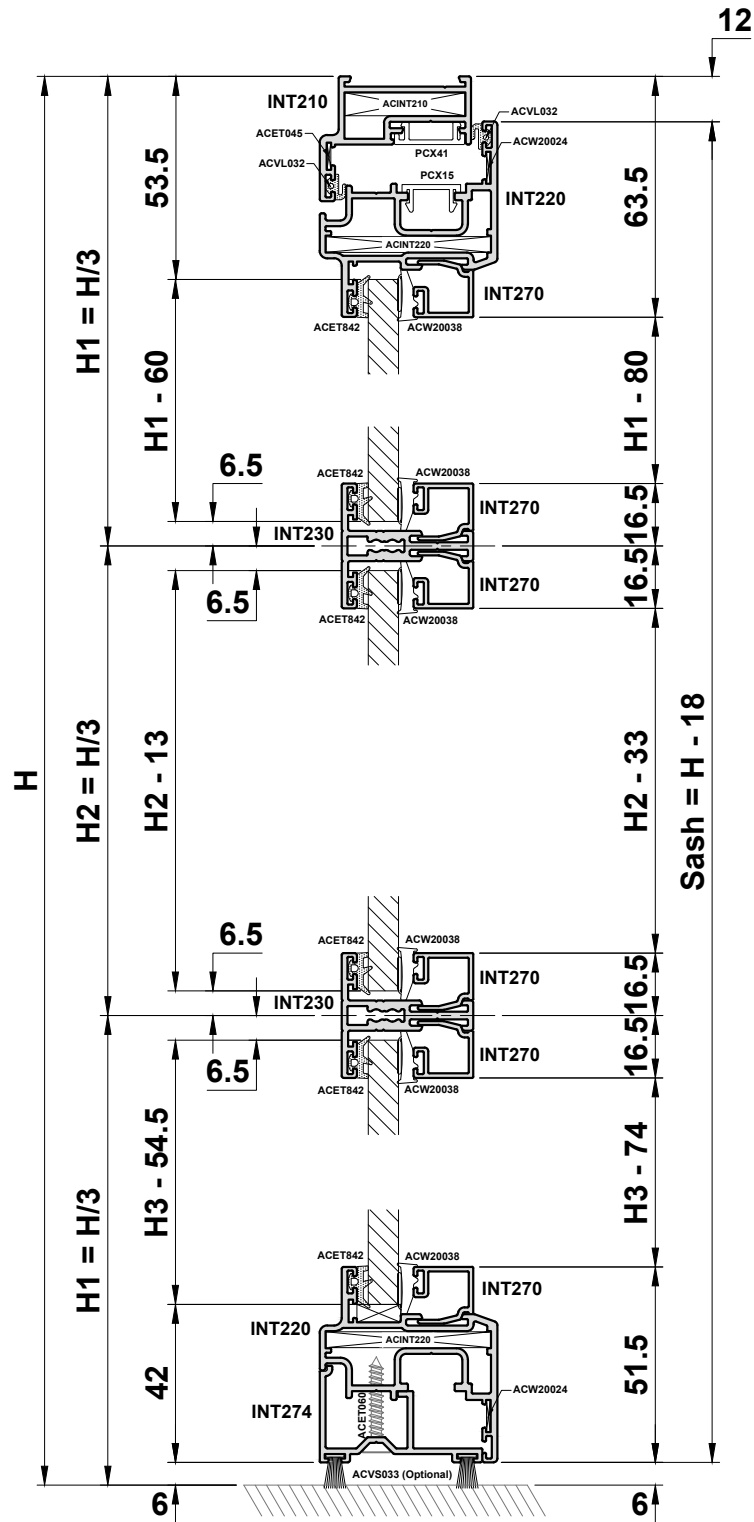
Do Not Scale From This Drawing

**Cutting Information - Open In Single Door & Fixed Screen**



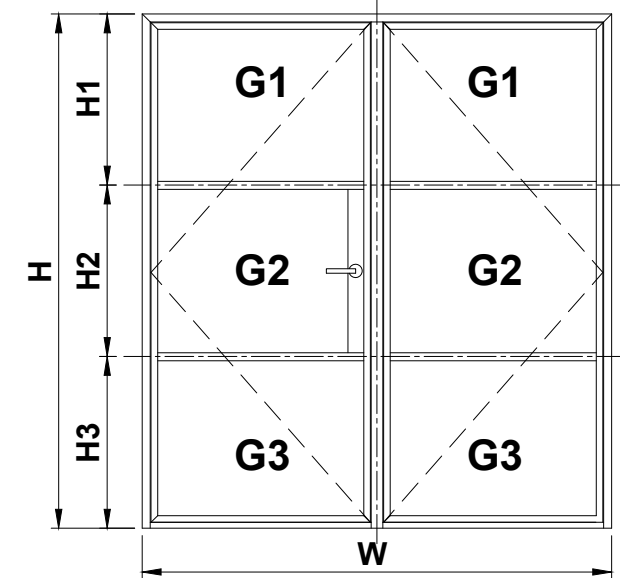
Do Not Scale From This Drawing

Cutting Information - Open In Double Door



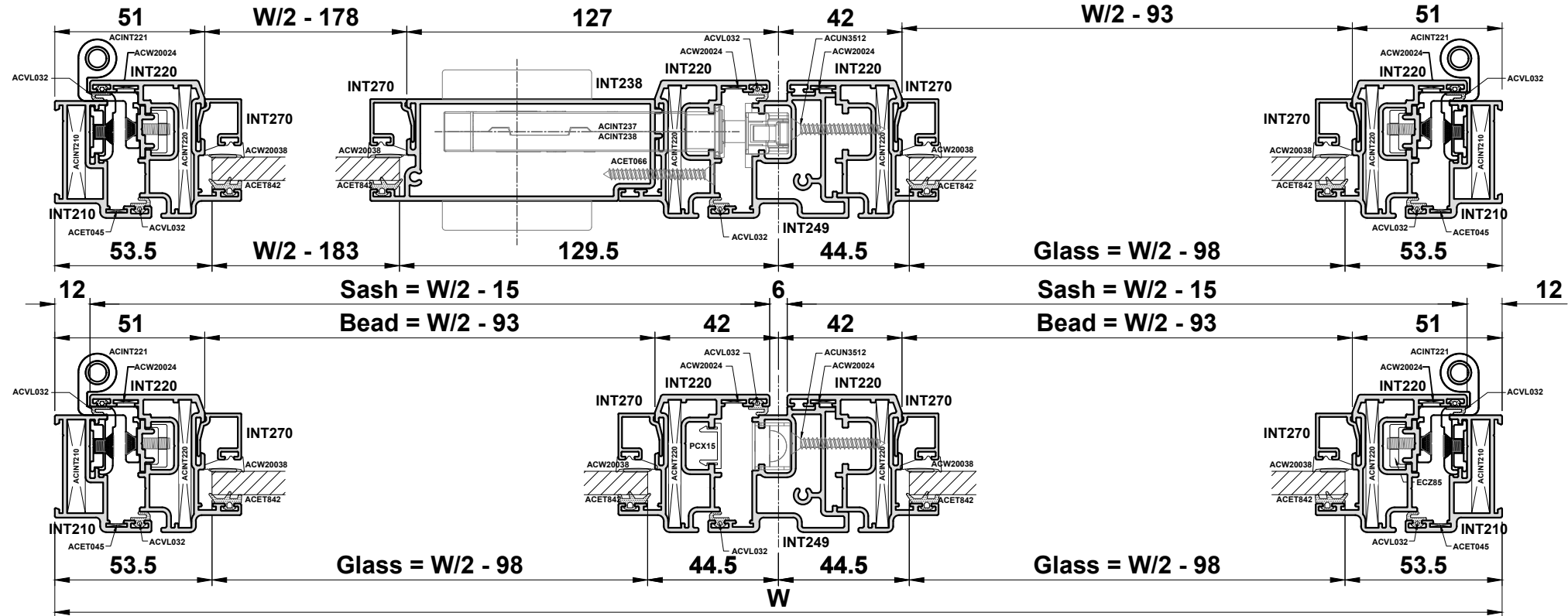
| Profile Cutting Schedule |    |  |  |           |
|--------------------------|----|--|--|-----------|
| INT210                   | 1  |  |  | W         |
| INT210                   | 2  |  |  | H         |
| INT220                   | 4  |  |  | W/2 - 15  |
| INT220                   | 4  |  |  | H - 18    |
| INT230                   | 4  |  |  | W/2 - 93  |
| INT238                   | 1  |  |  | H2 - 8    |
| INT249                   | 1  |  |  | H - 40.5  |
| INT270                   | 10 |  |  | W/2 - 93  |
| INT270                   | 2  |  |  | W/2 - 178 |
| INT270                   | 4  |  |  | H3 - 74   |
| INT270                   | 4  |  |  | H2 - 33   |
| INT270                   | 4  |  |  | H1 - 80   |
| INT274                   | 2  |  |  | W/2 - 52  |
| PCX15                    | 2  |  |  | W/2 - 63  |
| PCX15                    | 3  |  |  | H - 55.5  |
| PCX41                    | 1  |  |  | W - 36    |
| PCX41                    | 2  |  |  | H - 12    |

| Accessories  |                              |                         |
|--------------|------------------------------|-------------------------|
| ACET045      | Chevrons                     | 2                       |
| ACET066      | Screws                       | 10                      |
| ACET067      | Screws                       | 16                      |
| ACET842      | E Gasket                     | 12(W/2-98) + 4(H-101.5) |
| ACINT210     | Outer Frame Cleats           | 2                       |
| ACINT211     | Packer                       | 1                       |
| ACINT220     | Sash Cleats                  | 8                       |
| ACINT221     | Hinge Kit                    | 6                       |
| ACINT230     | Transom Brackets             | 8                       |
| ACINT237/238 | Magnetic Sash Lock           | 1                       |
| ACINT239     | Forend Cover                 | 1                       |
| ACINT240     | Striker Cover Plate          | 1                       |
| ACINT241     | Latch Cover Tray with magnet | 1                       |
| ACINT249     | Bottom End Cap               | 1                       |
| ACINT250     | Top End Cap                  | 1                       |
| ACINT25_     | Flush Bolt (*)               | 2                       |
| ACINT274     | End Cap                      | 2 Pairs                 |
| ACINT5_      | Lever Handle (**)            | Pair                    |
| ACUN3512     | Screws                       | 300mm centres           |
| ACUN3547     | M4 Connecting Screws         | 8                       |
| ACVL032      | Outer Frame Seal             | 1(W-58) + 2(H-29)       |
| ACVL032      | Sash Seal                    | 4(W/2-23) + 4(H-12)     |
| ACVS033      | Woolpile                     | 4(W/2-52)               |
| ACW20024     | Chevrons                     | 8                       |
| ACW20038     | Wedge Gasket                 | 12(W/2-98) + 4(H-101.5) |



| Glass |   |                      |
|-------|---|----------------------|
| G1    | 2 | W/2 - 98 X H1 - 60   |
| G2    | 2 | W/2 - 183 X H2 - 13  |
| G3    | 2 | W/2 - 98 X H3 - 54.5 |

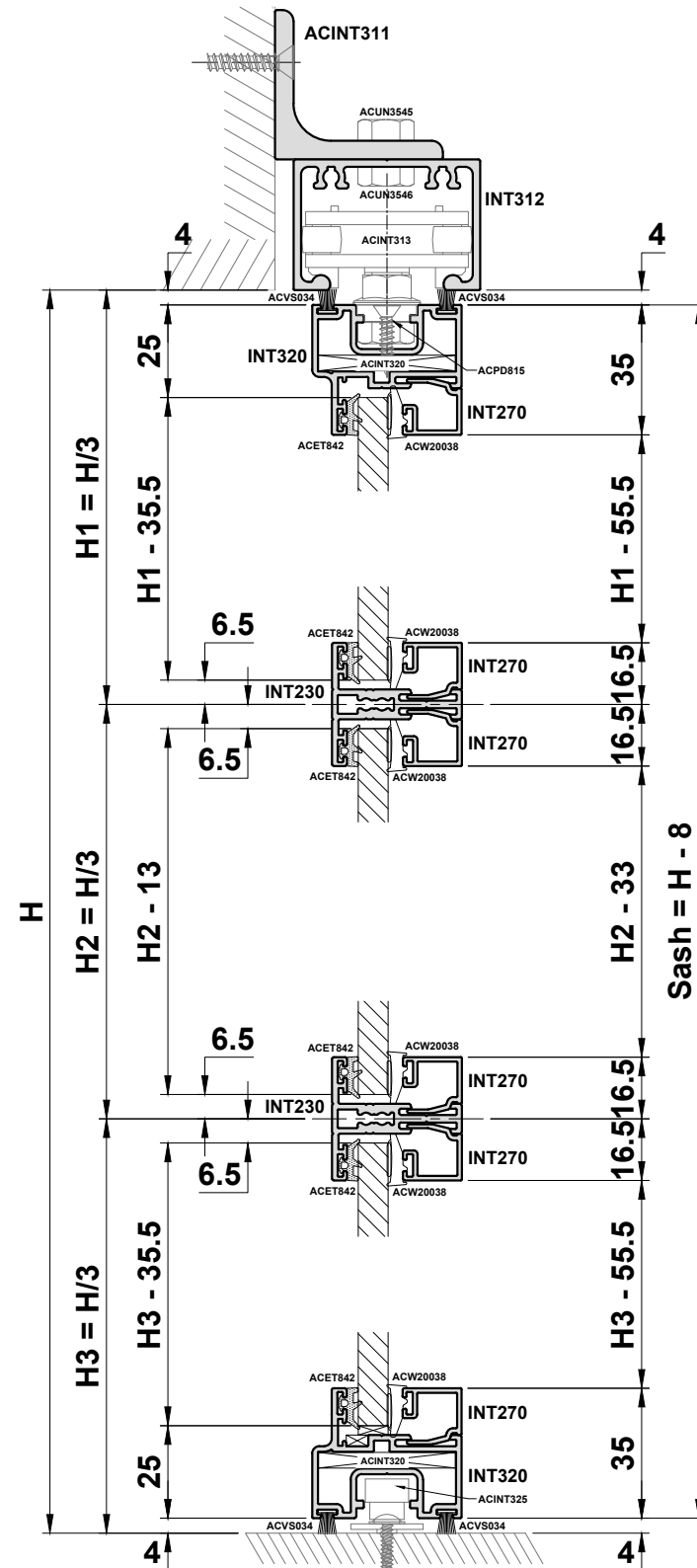
(\*) See Section B for flush bolt options.  
(\*\*) See Section B for handle options.



Do Not Scale From This Drawing



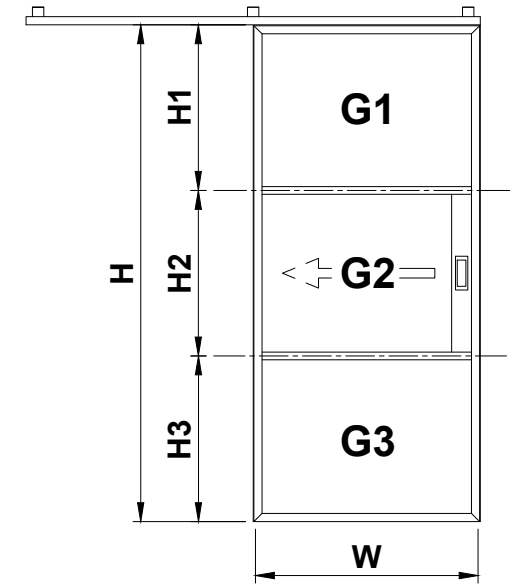
### Cutting Information - Single Sliding Door



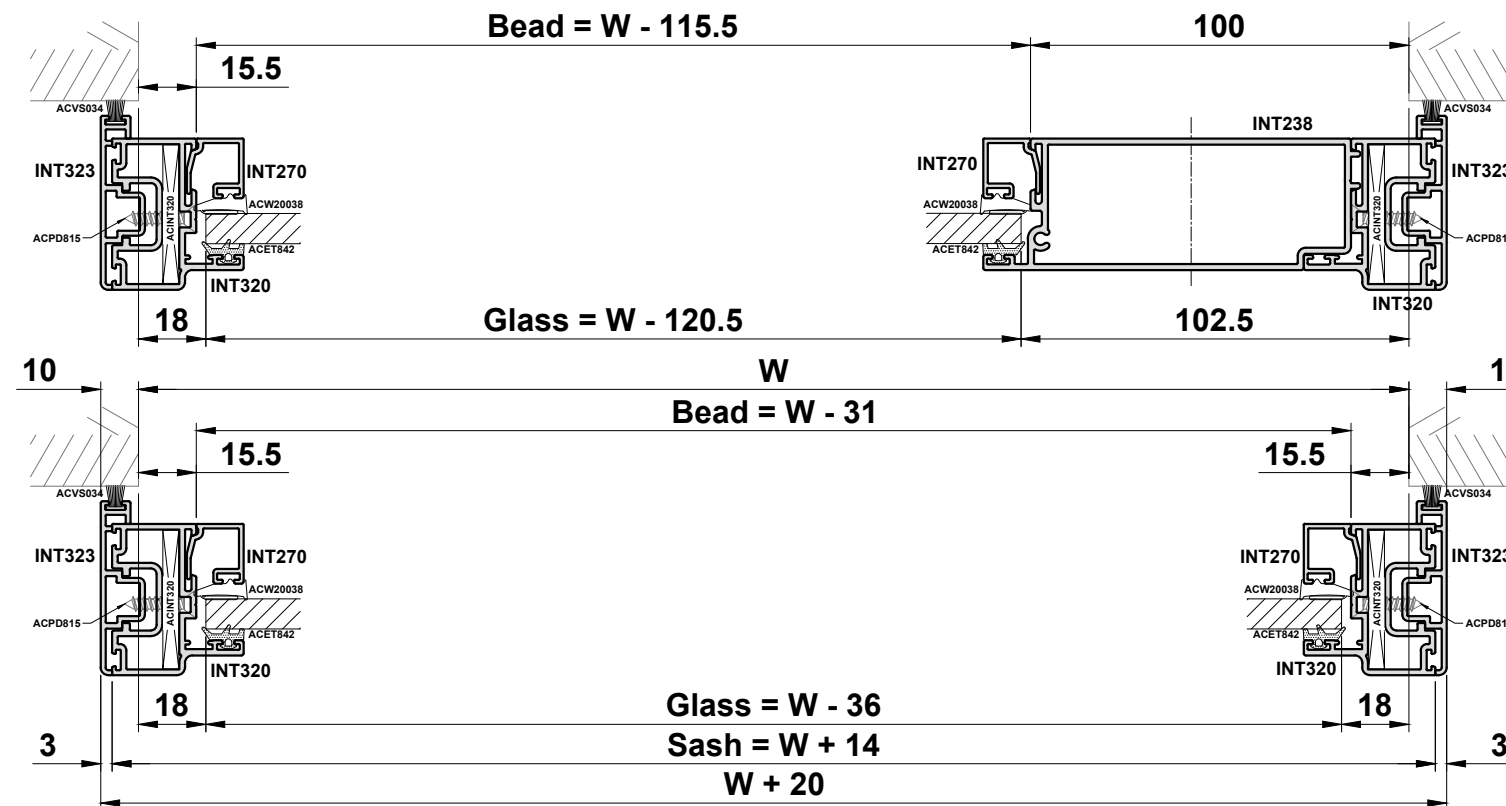
| Profile Cutting Schedule |   |  |  |           |
|--------------------------|---|--|--|-----------|
| INT230                   | 2 |  |  | W - 31    |
| INT238                   | 1 |  |  | H2 - 8    |
| INT270                   | 4 |  |  | W - 31    |
| INT270                   | 2 |  |  | W - 115.5 |
| INT270                   | 2 |  |  | H1 - 55.5 |
| INT270                   | 2 |  |  | H2 - 33   |
| INT270                   | 2 |  |  | H3 - 55.5 |
| INT312                   | 1 |  |  | 2(W + 20) |
| INT320                   | 2 |  |  | W + 14    |
| INT320                   | 2 |  |  | H - 8     |
| INT323                   | 2 |  |  | H - 8     |

| Accessories |                      |                   |
|-------------|----------------------|-------------------|
| ACET066     | Screws               | 6                 |
| ACET067     | Screws               | 8                 |
| ACET842     | E Gasket             | 6(W-36) + 2(H-58) |
| ACINT230    | Transom Bracket      | 4                 |
| ACINT311    | Brackets             | 3                 |
| ACINT312    | End Cap              | 1 Pack            |
| ACINT313    | Top Carrier Roller   | 2                 |
| ACINT314    | Buffer Stop          | 2                 |
| ACINT320    | Sash Cleats          | 4                 |
| ACINT325    | Bottom Guide         | 1                 |
| ACINT52_    | Pull Handle (*)      | 2                 |
| ACPD815     | Screws               | 300mm centres     |
| ACUN3545    | M8 Screws            | 2                 |
| ACUN3546    | M8 Nuts              | 2                 |
| ACUN3547    | M4 Connecting Screws | 4                 |
| ACVS034     | Woolpile             | 4(W+14) + 2H      |
| ACW20038    | Wedge Gasket         | 6(W-36) + 2(H-58) |

(\*) See Section B for handle options.

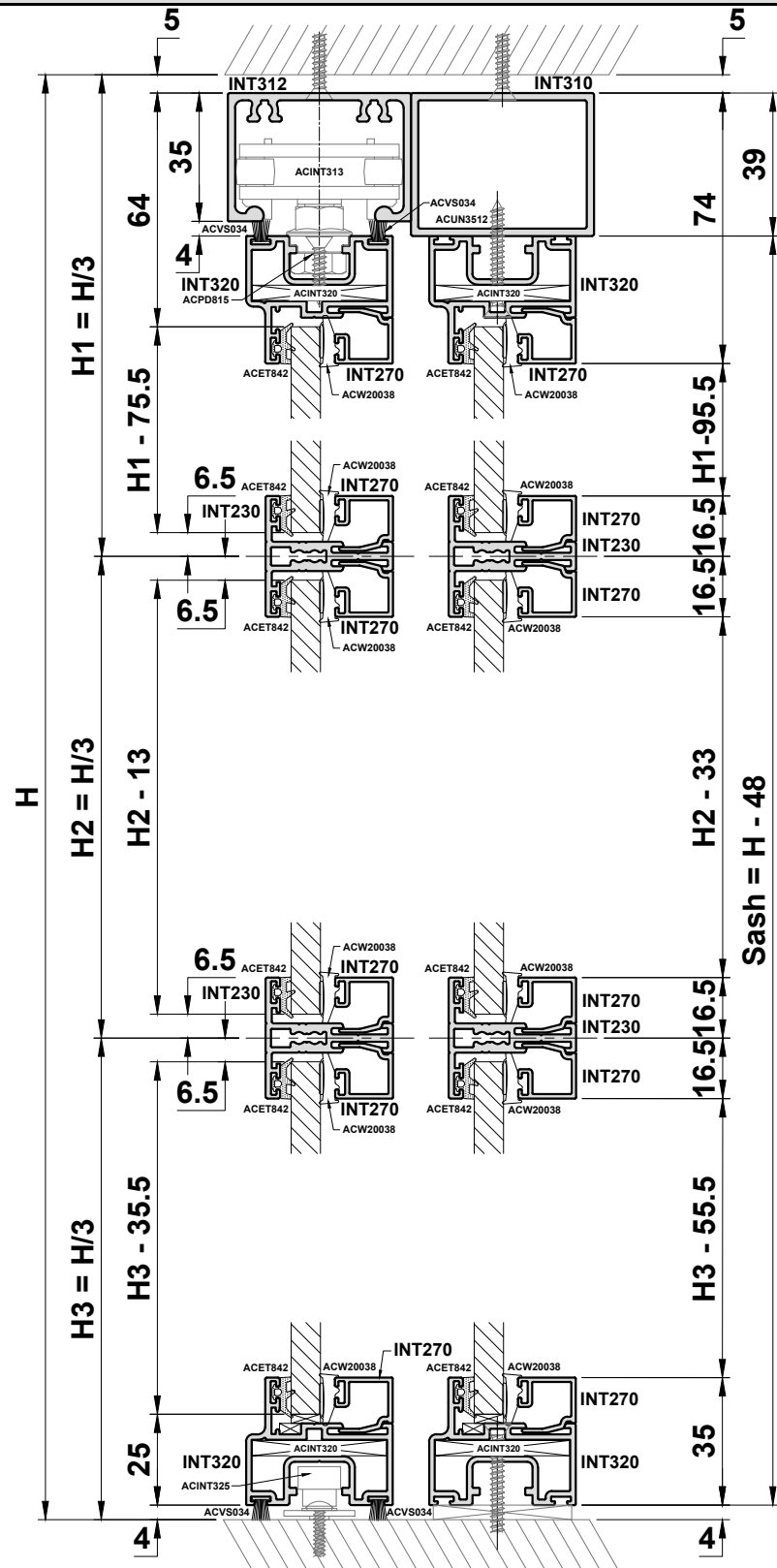


| Glass |   |                     |
|-------|---|---------------------|
| G1    | 1 | W - 36 X H1 - 35.5  |
| G2    | 1 | W - 120.5 X H2 - 13 |
| G3    | 1 | W - 36 X H3 - 35.5  |



Do Not Scale From This Drawing

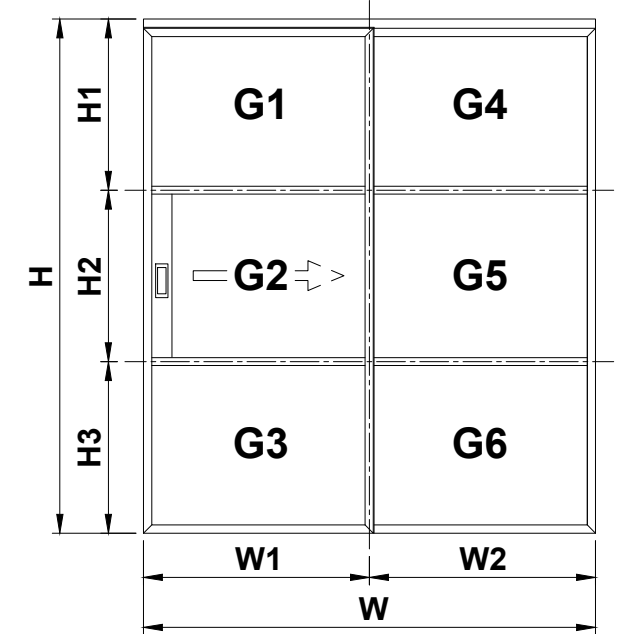
Cutting Information - Single Sliding Door & Fixed Screen



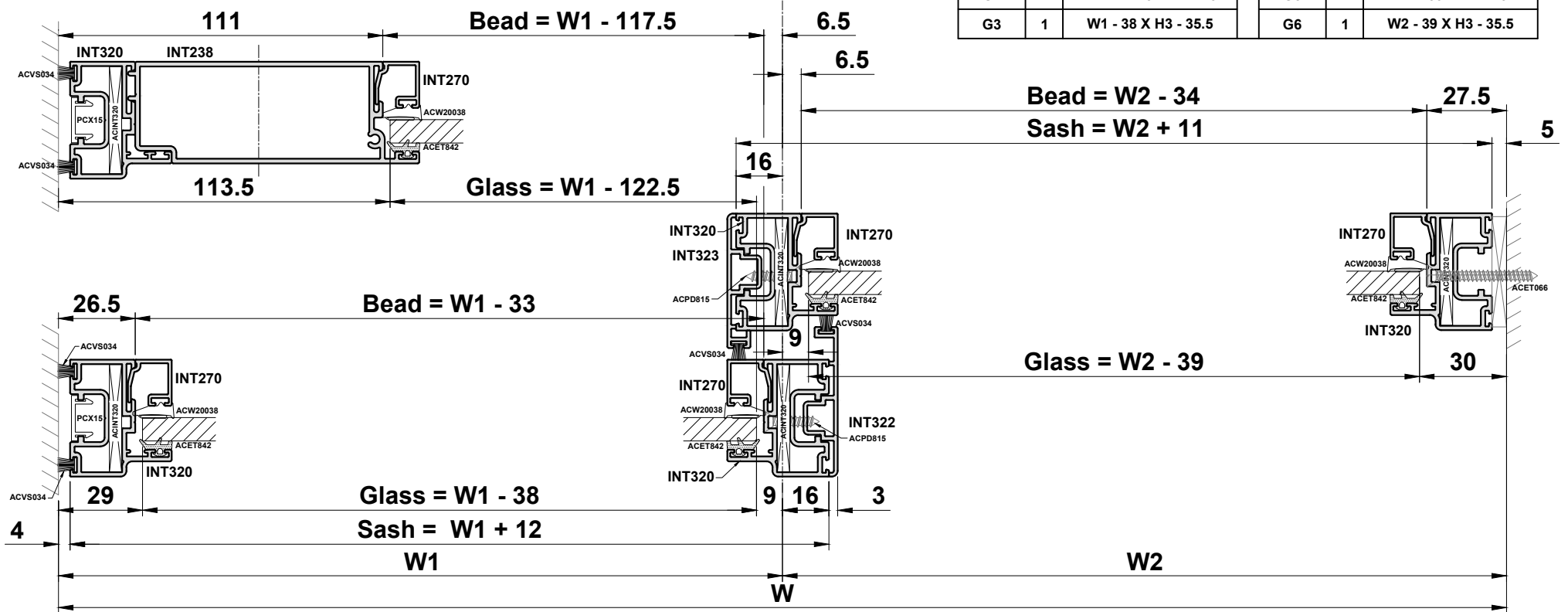
| Profile Cutting Schedule |   |  |            |
|--------------------------|---|--|------------|
| INT230                   | 2 |  | W1 - 33    |
| INT230                   | 2 |  | W2 - 34    |
| INT238                   | 1 |  | H2 - 8     |
| INT270                   | 4 |  | W1 - 33    |
| INT270                   | 2 |  | W1 - 117.5 |
| INT270                   | 6 |  | W2 - 34    |
| INT270                   | 4 |  | H3 - 55.5  |
| INT270                   | 4 |  | H2 - 33    |
| INT270                   | 4 |  | H1 - 95.5  |
| INT310                   | 1 |  | W          |
| INT312                   | 1 |  | W          |
| INT320                   | 2 |  | W1 + 12    |
| INT320                   | 2 |  | W2 + 11    |
| INT320                   | 4 |  | H - 48     |
| INT322                   | 1 |  | H - 48     |
| INT323                   | 1 |  | H - 48     |
| PCX15                    | 1 |  | H - 48     |

| Accessories |                      |                    |
|-------------|----------------------|--------------------|
| ACET066     | Screws               | 10                 |
| ACET067     | Screws               | 16                 |
| ACET842     | E Gasket             | 6(W1-38) + 2(H-98) |
| ACET842     | E Gasket             | 6(W2-39) + 2(H-98) |
| ACINT230    | Transom Bracket      | 8                  |
| ACINT312    | End Cap              | 1 Pack             |
| ACINT313    | Top Carrier Roller   | 2                  |
| ACINT314    | Buffer Stop          | 2                  |
| ACINT320    | Sash Cleats          | 8                  |
| ACINT325    | Bottom Guide         | 1                  |
| ACINT52_    | Pull Handle          | 2                  |
| ACPD815     | Screws               | 300mm centres      |
| ACUN3512    | Screws               | 300mm centres      |
| ACUN3547    | M4 Connecting Screws | 8                  |
| ACVS034     | Woolpile             | 4(W1+12) + 4(H-40) |
| ACW20038    | Wedge Gasket         | 6(W1-38) + 2(H-98) |
| ACW20038    | Wedge Gasket         | 6(W2-39) + 2(H-98) |

(\*) See Section B for handle options.

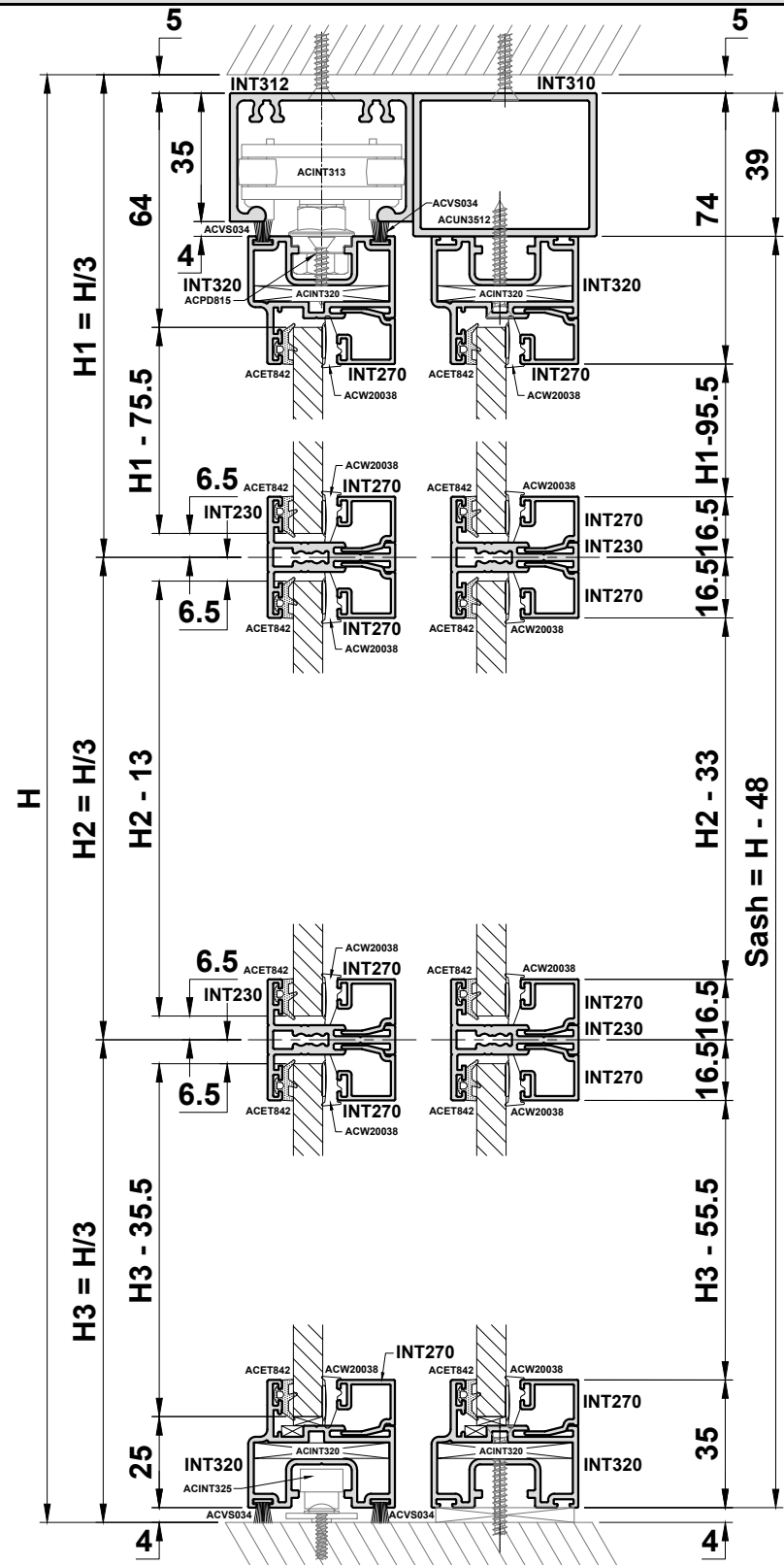


| Glass |   |                      |    |   |                     |
|-------|---|----------------------|----|---|---------------------|
| G1    | 1 | W1 - 38 X H1 - 75.5  | G4 | 1 | W2 - 39 X H1 - 75.5 |
| G2    | 1 | W1 - 122.5 X H2 - 13 | G5 | 1 | W2 - 39 X H2 - 13   |
| G3    | 1 | W1 - 38 X H3 - 35.5  | G6 | 1 | W2 - 39 X H3 - 35.5 |



Do Not Scale From This Drawing

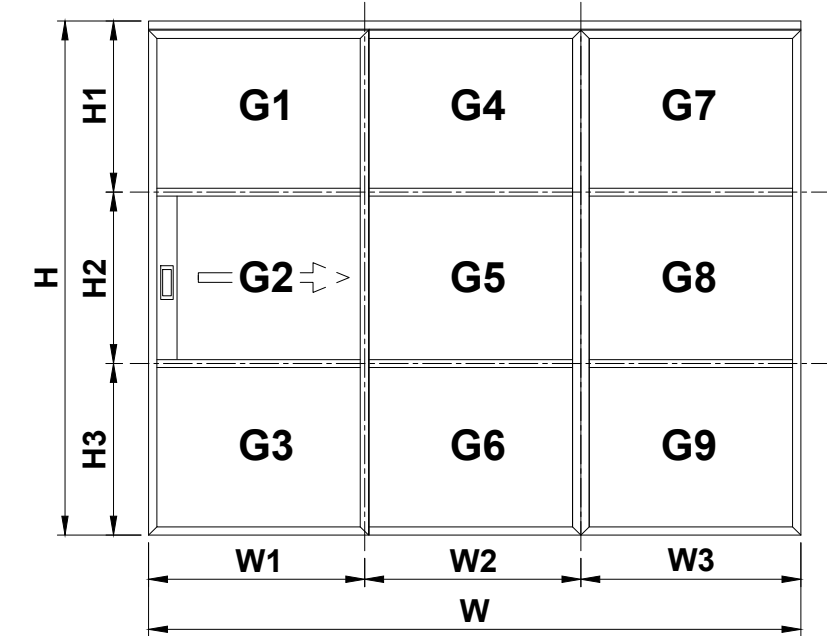
Cutting Information - Single Sliding Door & Fixed Screen



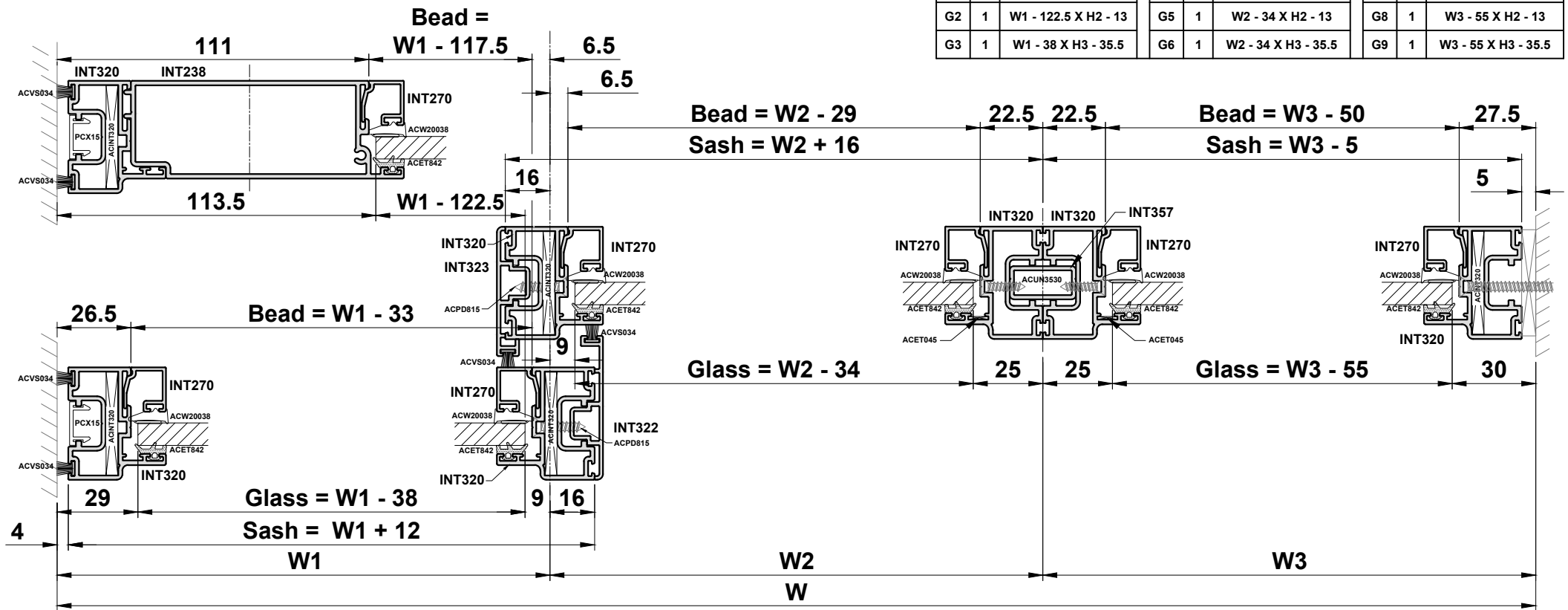
| Profile Cutting Schedule |   |  |  |            |
|--------------------------|---|--|--|------------|
| INT230                   | 2 |  |  | W1 - 33    |
| INT230                   | 2 |  |  | W2 - 29    |
| INT230                   | 2 |  |  | W3 - 50    |
| INT238                   | 1 |  |  | H2 - 8     |
| INT270                   | 4 |  |  | W1 - 33    |
| INT270                   | 2 |  |  | W1 - 117.5 |
| INT270                   | 6 |  |  | W2 - 29    |
| INT270                   | 6 |  |  | W3 - 50    |
| INT270                   | 6 |  |  | H3 - 55.5  |
| INT270                   | 6 |  |  | H2 - 33    |
| INT270                   | 6 |  |  | H1 - 95.5  |
| INT310                   | 1 |  |  | W          |
| INT312                   | 1 |  |  | W          |
| INT320                   | 2 |  |  | W1 + 12    |
| INT320                   | 2 |  |  | W2 + 16    |
| INT320                   | 2 |  |  | W3 - 5     |
| INT320                   | 6 |  |  | H - 48     |
| INT322                   | 1 |  |  | H - 48     |
| INT323                   | 1 |  |  | H - 48     |
| INT357                   | 1 |  |  | H - 48     |
| PCX15                    | 1 |  |  | H - 48     |

| Accessories |                      |                    |
|-------------|----------------------|--------------------|
| ACET066     | Screws               | 14                 |
| ACET067     | Screws               | 24                 |
| ACET842     | E Gasket             | 6(W1-38) + 2(H-98) |
| ACET842     | E Gasket             | 6(W2-34) + 2(H-98) |
| ACET842     | E Gasket             | 6(W3-55) + 2(H-98) |
| ACINT230    | Transom Bracket      | 12                 |
| ACINT312    | End Cap              | 1 Pack             |
| ACINT313    | Top Carrier Roller   | 2                  |
| ACINT314    | Buffer Stop          | 2                  |
| ACINT320    | Sash Cleats          | 12                 |
| ACINT325    | Bottom Guide         | 1                  |
| ACINT52_    | Pull Handle          | 2                  |
| ACPD815     | Screws               | 300mm centres      |
| ACUN3512    | Screws               | 300mm centres      |
| ACUN3530    | Screws               | 300mm centres      |
| ACUN3547    | M4 Connecting Screws | 12                 |
| ACVS034     | Woolpile             | 4(W1+12) + 4(H-40) |
| ACW20038    | Wedge Gasket         | 6(W1-38) + 2(H-98) |
| ACW20038    | Wedge Gasket         | 6(W2-34) + 2(H-98) |
| ACW20038    | Wedge Gasket         | 6(W3-55) + 2(H-98) |

(\*) See Section B for handle options.



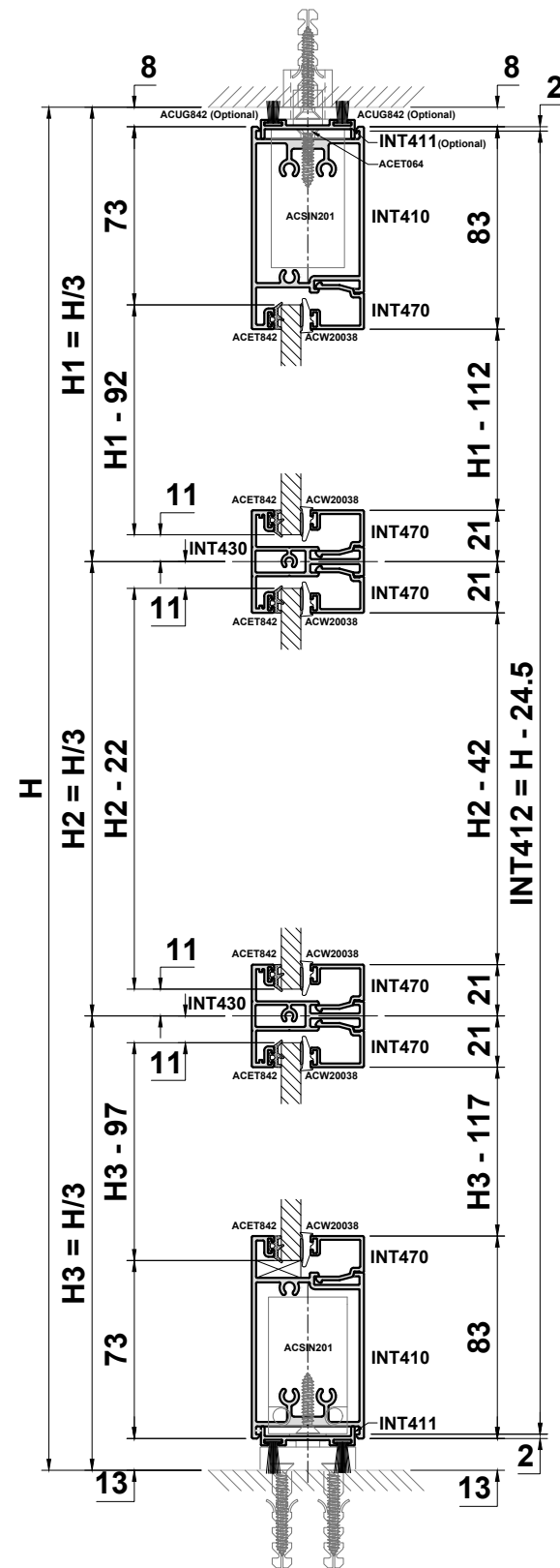
| Glass |   |                      |    |   |                     |
|-------|---|----------------------|----|---|---------------------|
| G1    | 1 | W1 - 38 X H1 - 75.5  | G4 | 1 | W2 - 34 X H1 - 75.5 |
| G2    | 1 | W1 - 122.5 X H2 - 13 | G5 | 1 | W2 - 34 X H2 - 13   |
| G3    | 1 | W1 - 38 X H3 - 35.5  | G6 | 1 | W2 - 34 X H3 - 35.5 |
|       |   |                      | G7 | 1 | W3 - 55 X H1 - 75.5 |
|       |   |                      | G8 | 1 | W3 - 55 X H2 - 13   |
|       |   |                      | G9 | 1 | W3 - 55 X H3 - 35.5 |



Do Not Scale From This Drawing

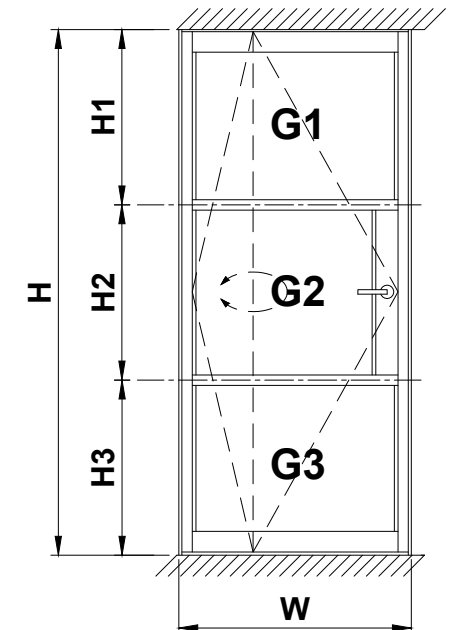


Cutting Information - Pivot Door

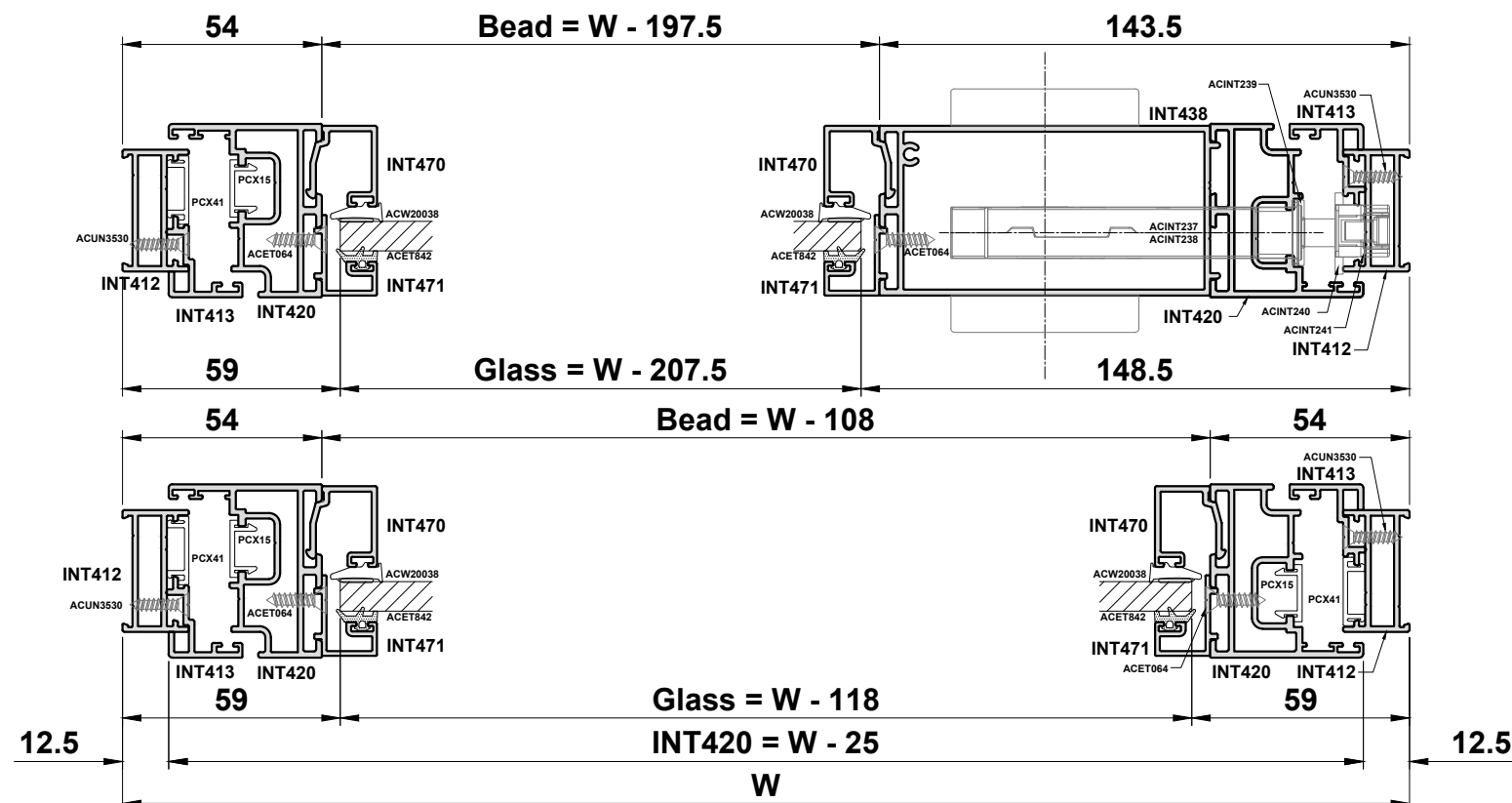


| Profile Cutting Schedule |        |  |  |           |
|--------------------------|--------|--|--|-----------|
| INT410                   | 2      |  |  | W - 108   |
| INT411                   | 2 (**) |  |  | W - 108   |
| INT412                   | 2      |  |  | H         |
| INT413                   | 2      |  |  | H         |
| INT420                   | 2      |  |  | H - 24.5  |
| INT430                   | 2      |  |  | W - 108   |
| INT438                   | 1      |  |  | H2 - 12   |
| INT470                   | 4      |  |  | W - 108   |
| INT470                   | 2      |  |  | W - 197.5 |
| INT470                   | 2      |  |  | H3 - 117  |
| INT470                   | 2      |  |  | H2 - 42   |
| INT470                   | 2      |  |  | H1 - 112  |
| INT471                   | 2      |  |  | H3 - 117  |
| INT471                   | 2      |  |  | H2 - 42   |
| INT471                   | 2      |  |  | H1 - 112  |
| PCX15                    | 2      |  |  | H - 21    |
| PCX41                    | 2      |  |  | H - 21    |

| Accessories  |                              |                     |
|--------------|------------------------------|---------------------|
| ACDR052      | Screws                       | 12                  |
| ACET064      | Screws                       | 300mm centres       |
| ACET066      | Screws                       | 6                   |
| ACET067      | Screws                       | 8                   |
| ACET842      | E Gasket                     | 6(W-118) + 2(H-167) |
| ACINT237/238 | Magnetic Sash Lock           | 1                   |
| ACINT239     | Forend Cover                 | 1                   |
| ACINT240     | Striker Cover Plate          | 1                   |
| ACINT241     | Latch Cover Tray with magnet | 1                   |
| ACINT411     | Woolpile                     | 2(W - 108)          |
| ACINT420     | End Cap                      | 2 Pairs             |
| ACINT421     | Block                        | 1 Pack              |
| ACINT430     | Transom Bracket              | 4                   |
| ACINT5_      | Lever Handle (*)             | Pair                |
| ACSIN201     | Pivot System                 | 1                   |
| ACUG842      | Woolpile (**)                | 2(W - 108)          |
| ACUN3530     | Screws                       | 300mm centres       |
| ACUN3551     | M4 Connecting Screws         | 4                   |
| ACVS034      | Woolpile                     | 2H                  |
| ACW20038     | Wedge Gasket                 | 6(W-118) + 2(H-167) |



(\*) See Section B for handle options.  
(\*\*) ACINT411 is optional on the top side as well as ACUG842)



| Glass |   |                     |
|-------|---|---------------------|
| G1    | 1 | W - 118 X H1 - 92   |
| G2    | 1 | W - 207.5 X H2 - 22 |
| G3    | 1 | W - 118 X H3 - 97   |

